

LED Wallpack Light BRIGHTEN YOUR LIFE

NEW LED TECHNOLOGY THAT ALLOWS THE
COEXISTENCE OF ENVIRONMENTAL
PROTECTION AND ENERGY SAVING

Benefits

1. Replace conventional Wallpack Lights
2. Precision Die Cast Aluminum Housing
3. Fade Resistant Powder Coat Finish
4. Easy Installation
5. CE ROHS listed



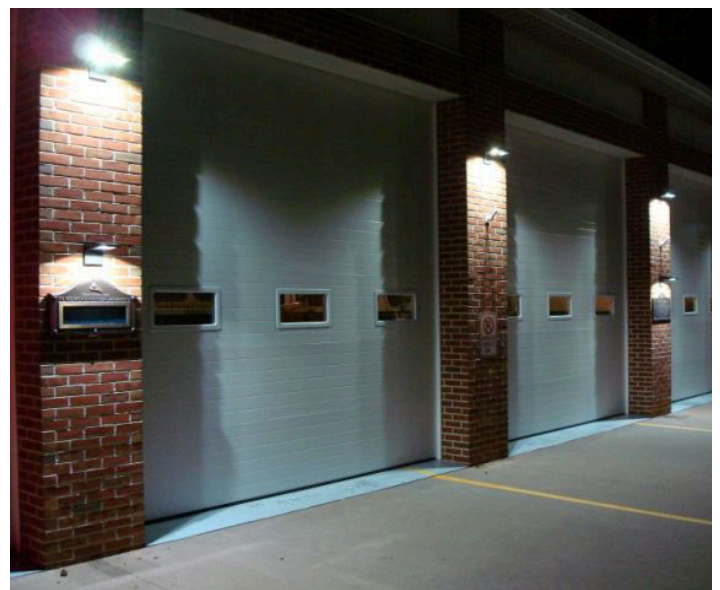
Features

1. Aluminum die-casting heat sinks is good for heat dissipation.
2. It's major to replace the conventional wallpack light.
3. Green, energy saving, long and reliable life of 50,000 hours.
4. No RF interference, No IR/UV radiation ,no mercury pollution.
5. Wide colour availability in degrees Kelvin(K),2700-6700K.
6. Streamline exterior design, beautiful appearance.
7. Environment friendly ,energy saving (70~80%).
8. Special circuit design, each LED work separately, avoiding the single broken LED influence problem.



Application

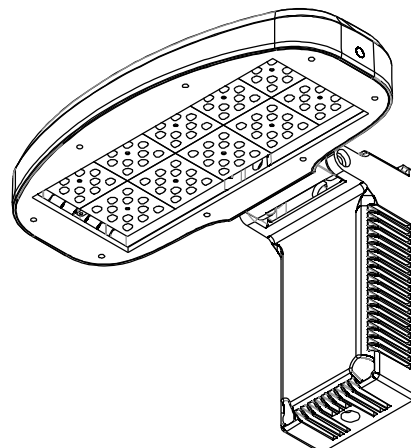
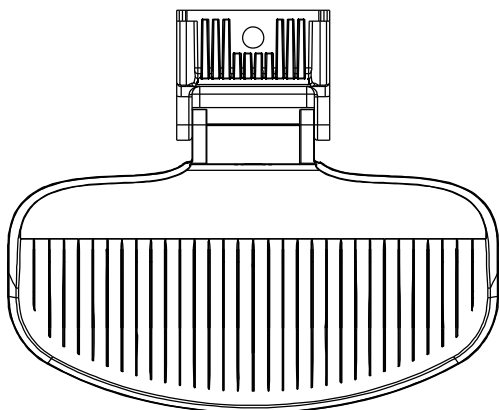
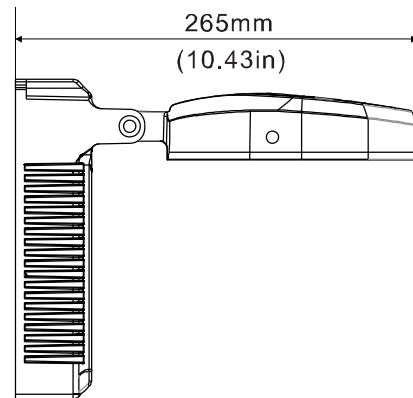
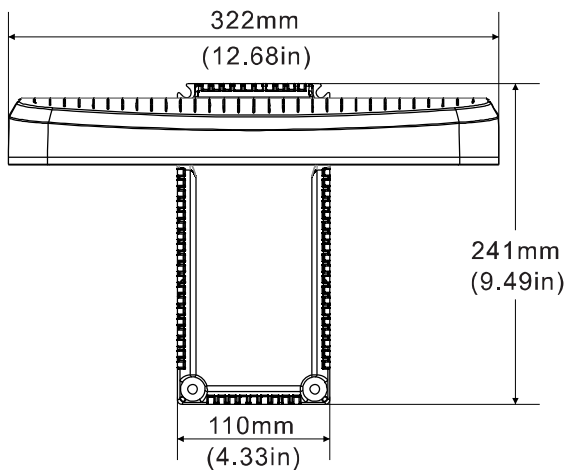
1. Parking lot Lighting.
2. Garden yard Lighting.
3. Outdoor Building Lighting.
4. High/Low Bay Lighting.



SPECIFICATIONS

Power	60W	100W
Model	BB-RSD-60W-C-XX-YY	BB-RSD-100W-C-XX-YY
Luminous Flux	7800lm	13000lm
Replacement	MH 175W	MH 300W
Remark	Where suffix"XX" stand for CCT,XX can be CW,DW,NW,WW or SW. Where suffix"YY" stand for Voltage,YY can be blank or LV.	
Light Source	SMD LED	
Luminous Efficacy	130lm/w	
Operation Temp.	-40 to +45°C	
CCT	2700K SW / 3000K WW / 4100K NW / 5000K DW / 5700K CW	
CRI	80	
Life Span	50,000 hours at 25°C	
Voltage	100-277VAC/50-60HZ	
Driver	UL listed power supply	
Sensor	Microwave sensor Daily sensor available	
Beam Angle	120°	
PF	>0.95	
Warranty	3/5 Years	

DIMENSIONAL DRAWING



INSTALLATION

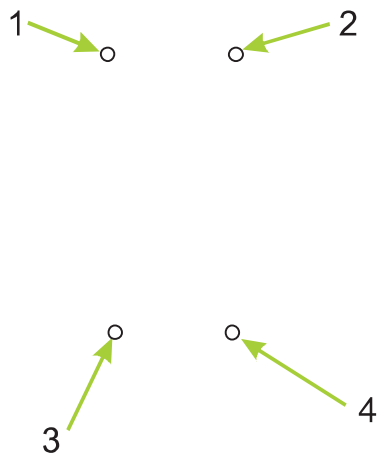
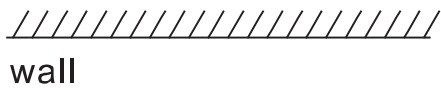
Wall mounting

STEP1:Drill 4 holds on the wall,as picture1.

STEP2:Put the four expansion studs into four holes.

STEP3:Use four M5 screws to secure the lamp to the wall through 4 holds,as picture2.

STEP4:The lamp are tightly fastened,and finished.



Picture1



Picture2

PROJECTS

By using our 100W Wallpack Light to replace 300W High Pressure Sodium Lamp fixture for outdoor parking lot lighting, the customer is now able to save a lot per month from his electric bill.



100W LED = 300W MH

Note:

- Don't take the LED lamp apart.
- The LED lamp must work under the right voltage according to the specification.

PACKING INFO



Item	Packaging	Dimensions (L*W*H)	N.W	G.W	Volume weight
60W-100W	1pc/Box	380*300*140mm	4.0kg	4.5kg	4.5kg