

UFO LED GROW LIGHT

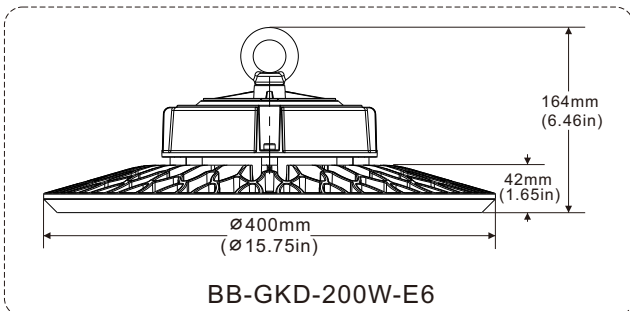
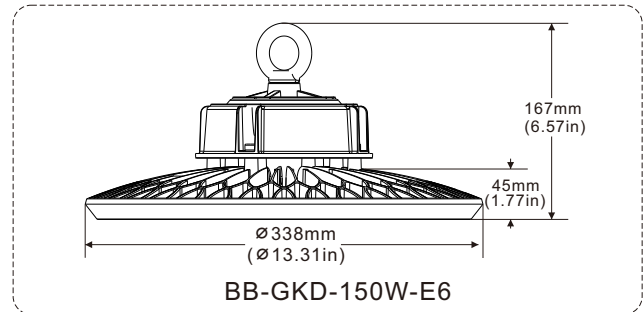
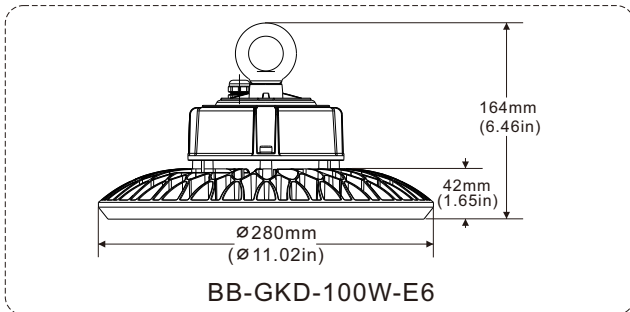


PRODUCT DESCRIPTION

The UFO series has the high-performance solution for the most demanding applications within a unique design. With different precision refractive optical lens and an easy-install design, it can be used in many applications such as greenhouse, farm, anywhere planting Flowers, Succulents, Fruits.

FEATURE

1. Air cooling Design
2. IP65 Rated Enclosure
3. Suspension or Bracket Mounting
4. Blue(wavelength:450nm~460nm), Red(wavelength:655nm~665nm), White, Warm Light optional



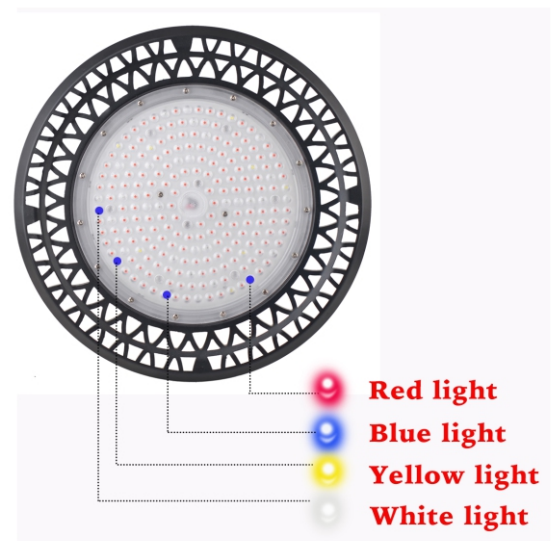
Ordering Information

Area Series	Watts	Version	Bracket	CCT	Voltage	Color
BB-GKD	100W	E6	1 - Ring	Blue:450~460nm	BLANK-100-277VAC	Black(default)
	150W		2 - Bracket	Red:655~665nm	HV-200-480VAC	White(optional)
	200W			White		
				Warm		

PERFORMANCE DATA

Power	100W	150W	200W
Model	BB-GKD-100W-E6	BB-GKD-150W-E6	BB-GKD-200W-E6
Replacement	HPS 300W	HPS 400W	HPS 600W
ETL DLC	Blue(wavelength:450nm~460nm),Red(wavelength:655nm~665nm),White,Warm Light optional		
Model differences	Different installation accessories:1-Ring mounting;2-Bracket mounting		
Light Source	3030 SMD LED		
Operation Temp.	-40 to +45°C		
Life Span	50,000 hours at 25°C		
Voltage	100-277VAC/50-60Hz	200-480VAC/50-60Hz Available	
Driver	UL listed power supply		
Dimming	Available	Dali dimming optional	
Sensor	No sensor		
Control System	APP, remote control, touch screen, light control and other control options available		
Beam Angle	120° (Transparent, Matte) 60° 90° (Lens)		
Cover	Transparent, Matte, Lens available		
IP	65		
PF	>0.95		
Warranty	5Years		

LIGHT COLOR

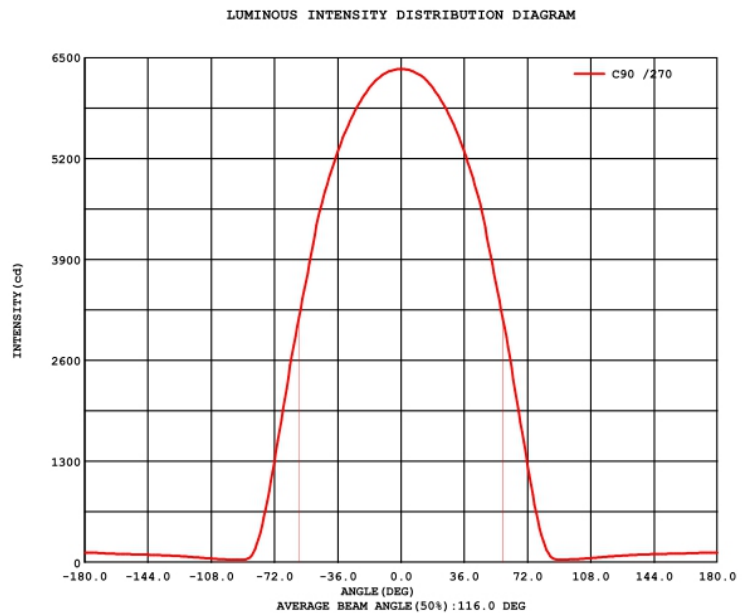
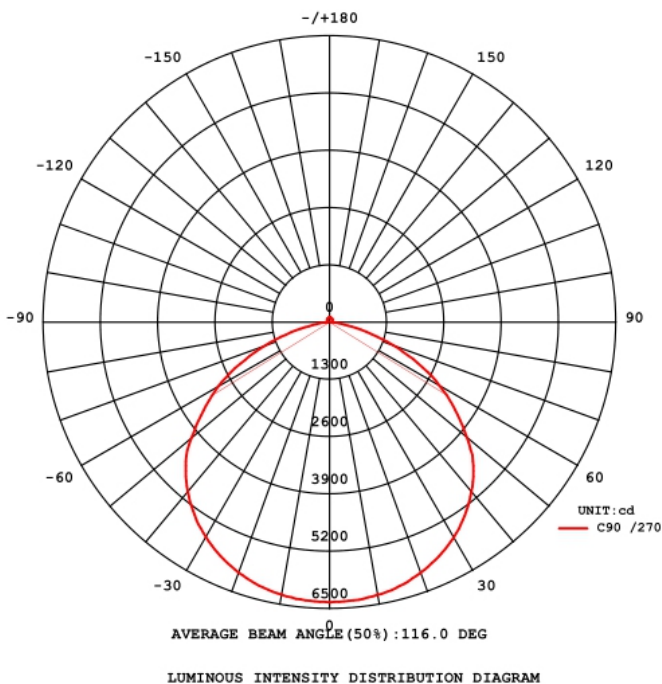


Red light(wavelength:655~665nm)

PROJECTS



LUMINOUS INTENSITY DISTRIBUTION



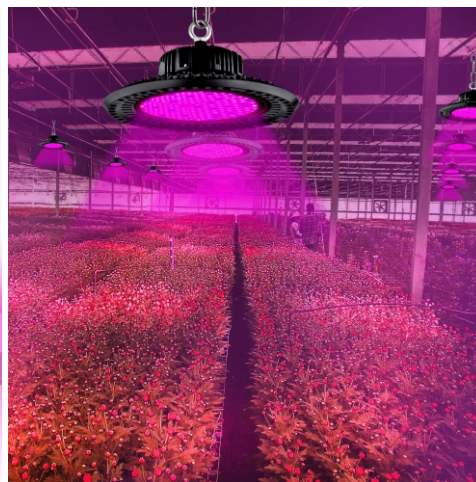
DETAILS

1. 3030 SMD LED, Imported chips.
2. Aluminum die-casting heat sinks is good for heat dissipation.
3. UL listed power supply, Safe and reliable, long life..
4. It's major to replace the conventiona highbay light.
5. Green, energy saving, long and reliable life of 50,000 hours.
6. No RF interference, No IR/UV radiation ,no mercury pollution.
7. Blue(wavelength:450nm~460nm),Red(wavelength:655nm~665nm),
White,Warm Light optional
8. Streamline exterior design, beautiful appearance.
9. Environment friendly ,energy saving (70~80%).
10. Special circuit design, each LED work separately,
avoiding the single broken LED influence problem.



APPLICATION

- Greenhouse
- Farm
- Flowers planting
- Succulents planting
- Fruits planting



ACCESSORIES

Optional Accessories

Mounting Accessories

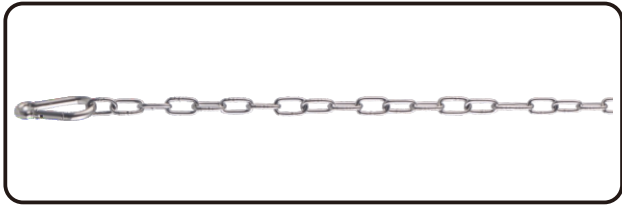


E1:UFO With Ring

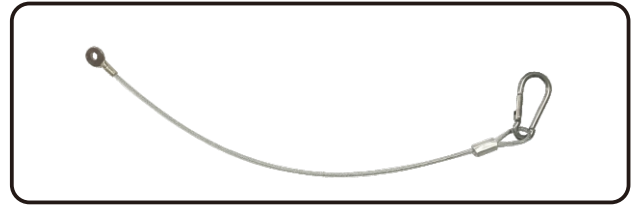


E2:UFO With Bracket

Accessories Options



Chain



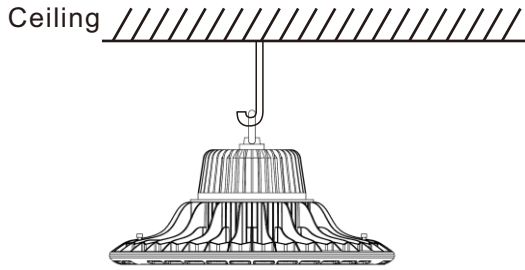
Wire rope

*Not provided.

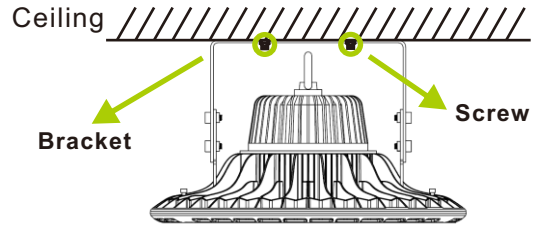
*If you need a chain and a rope, please contact sales.

INSTALLATION

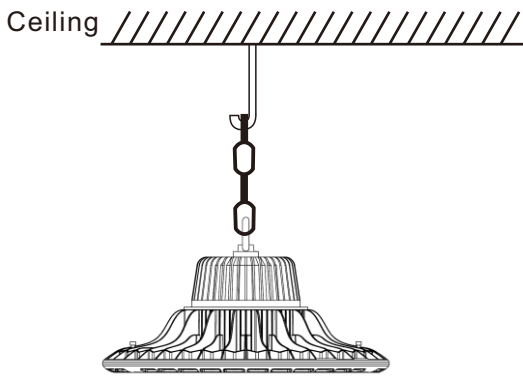
UFO LED Highbay Light has four kinds of installation:



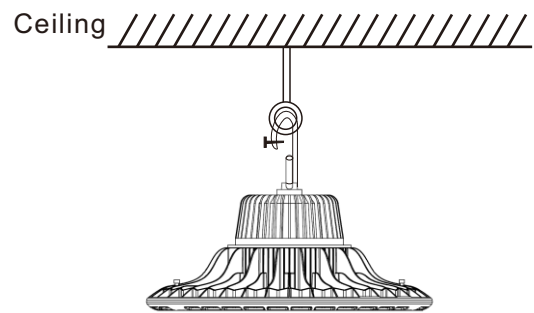
1. The suspension loop



2. Bracket type



3. Suspension chain



4. Hook hanger

PACKING INFO



Packaging	Carton Size(mm) (L*W*H)	N.W	G.W	Volume weight
1pc/CTN(100W)	370*370*190mm	2.52kg	3.36kg	5.20kg
1pc/CTN(150W)	430*430*200mm	3.52kg	5.0kg	7.40kg
1pc/CTN(200W)	490*490*210mm	5.2kg	6.72kg	10.08kg