



UFO LED Highbay Light

BRIGHTEN YOUR LIFE

NEW LED TECHNOLOGY THAT ALLOWS THE
COEXISTENCE OF ENVIRONMENTAL
PROTECTION AND ENERGY SAVING

Benefits

1. Replace conventional Highbay Lights.
2. Precision Die Cast Aluminum Housing.
3. Fade Resistant Powder Coat Finish.
4. Easy Installation.
5. CE ROHS listed.



100W



150W



200W

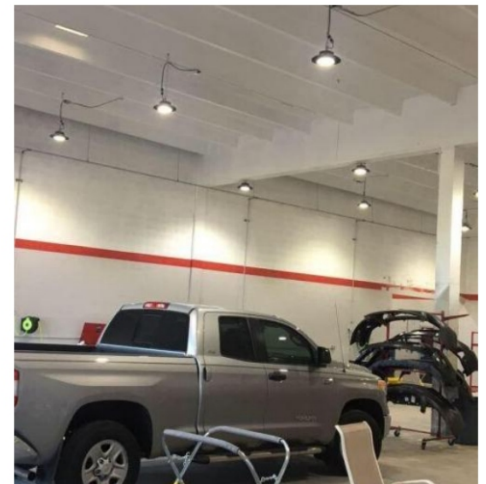
Features

1. Beam angle:60 90 110 degrees.
2. Aluminum die-casting heat sinks is good for heat dissipation.
3. It's major to replace the conventiona highbay light.
4. Green, energy saving, long and reliable life of 50,000 hours.
5. No RF interference, No IR/UV radiation ,no mercury pollution.
6. Wide colour availability in degrees Kelvin(K),2700-6700K.
7. Streamline exterior design, beautiful appearance.
8. Environment friendly ,energy saving (70~80%).
9. Special circuit design, each LED work separately, avoiding the single broken LED influence problem.



Application

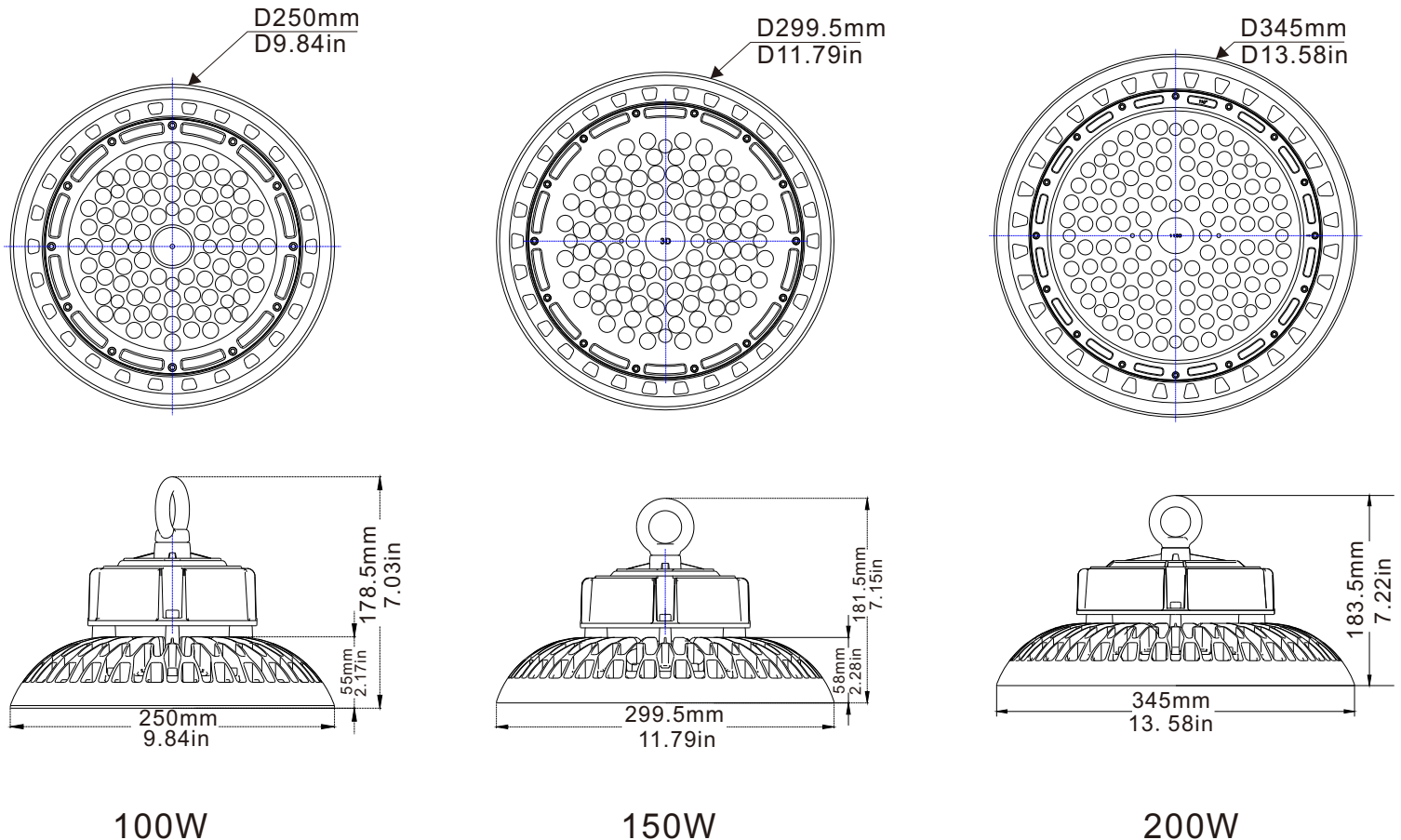
1. Parking areas Lighting.
2. Ceiling Lighting.
3. Warehouse Lighting.
4. High/Low Bay Lighting.



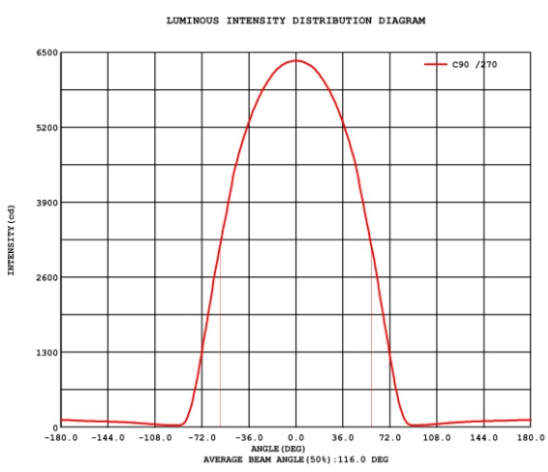
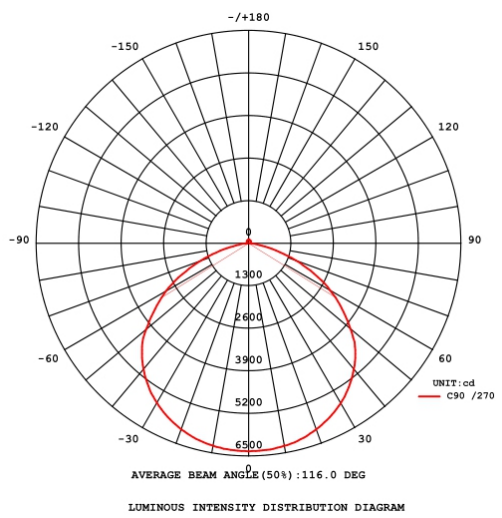
Specifications

Power	100W	150W	200W
Model	BB-GKD-100W-E4	BB-GKD-150W-E4	BB-GKD-200W-E4
Luminous Flux	13000lm	19500lm	26000lm
Replacement	HPS 300W	HPS 450W	HPS 600W
Model differences	Different installation accessories:A-Ring mounting;B-Bracket mounting		
Light Source	SMD LED		
Luminous Efficacy	130lm/W standard , avaiable in 150lm/W 160lm/W 170lm/W 180lm/W 190lm/W		
Operation Temp.	-40 to +45°C		
CCT	2700K SW / 3000K WW / 4100K NW / 5000K DW / 5700K CW		
CRI	70+		
Life Span	50,000 hours at 25°C		
Voltage	100-277VAC/50-60HZ		
Driver	UL listed power supply		
Dimming	No Dali dimming optional		
Sensor	Microwave sensor, optional.		
Control System	APP, remote control, touch screen, light control and other control options available		
Beam Angle	60° 90° 110°		
Cover	Lens ,Glass,or PC cover optional.		
IP	65		
PF	>0.95		
Warranty	5Years		

Dimensional Drawing



Luminous Intensity Distribution



Projects

By using our 100W Highbay Light to replace 300W Metal Halide bulb for warehouse high bay lighting fixtures, the customer is now able to save a lot per month from his electric bill.



Replace
➔



100W LED = 300W MH

Note:

- Don't take the LED lamp apart.
- The LED lamp must work under the right voltage according to the specification.

Accessories

We have three types of covers for you to choose.



Glass cover



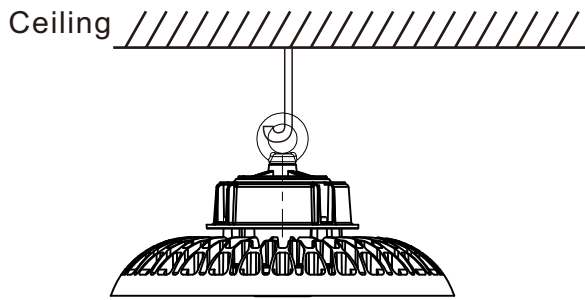
Lens cover



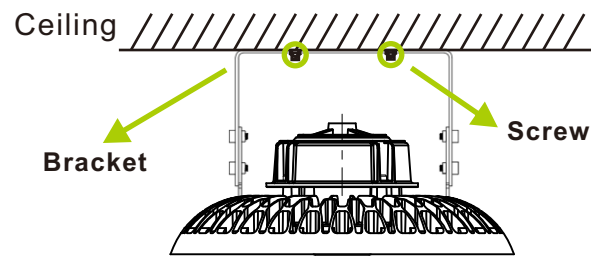
PC cover

Installation

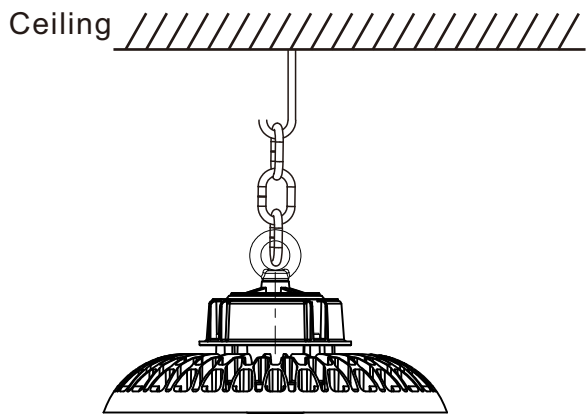
UFO LED Highbay Light has four kinds of installation:



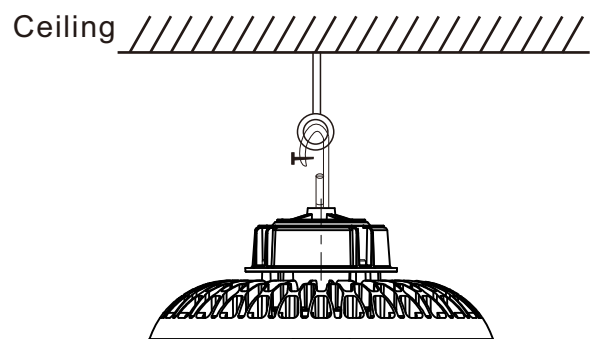
1. The suspension loop



2. Bracket type



3. Suspension chain



4. Hook hanger

Packing Info



Packaging	Carton Size(mm) (L*W*H)	N.W	G.W	Volume weight
1pc/CTN(100W)	300*300*190mm	2.1kg	2.5kg	3.5kg
1pc/CTN(150W)	350*350*200mm	2.5kg	3.2kg	5.0kg
1pc/CTN(200W)	400*400*200mm	3.6kg	4.3kg	6.5kg