



LED Stadium Light

BRIGHTEN YOUR LIFE

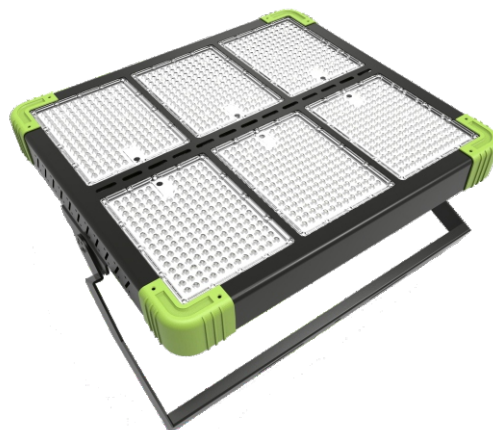
NEW LED TECHNOLOGY THAT ALLOWS THE
COEXISTENCE OF ENVIRONMENTAL
PROTECTION AND ENERGY SAVING

Benefits

1. Replace conventional Stadium Lights.
2. Precision Die Cast Aluminum Housing.
3. Durable Chip and Fade Resistant Powder Coat Finish.
4. Easy Installation.
5. CE ROHS listed.



Standard style



Customizable color style

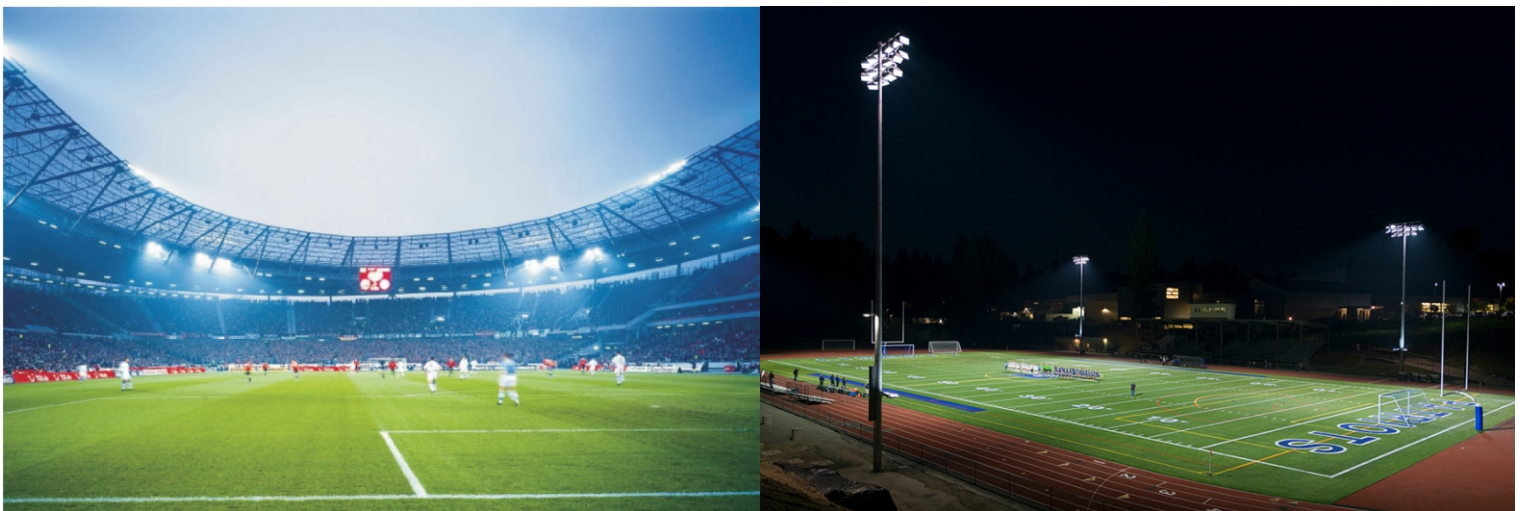
Features

1. Aluminum die-casting heat sinks is good for heat dissipation.
2. It's major to replace the conventional stadium light.
3. Green, energy saving, long and reliable life of 50,000 hours.
4. No RF interference, No IR/UV radiation, no mercury pollution.
5. Wide colour availability in degrees Kelvin(K), 2700-6700K.
6. Streamline exterior design, beautiful appearance.
7. Environment friendly, energy saving (70~80%).
8. Special circuit design, each LED work separately, avoiding the single broken LED influence problem.



Application

1. Stadium Lighting.
2. Parking lot lighting.
3. Industrial Lighting.
4. Port wharf Lighting.
5. Roadway Lighting.



SPECIFICATIONS

Power	450W	640W	960W
Model	BB-LD-450W-Q	BB-LD-640W-Q	BB-LD-960W-Q
Luminous Flux	58500lm	83200lm	124800lm
Replacement	HPS 1500W	HPS 2000W	HPS 3000W
Bracket	450W: Slipfitter mount(round pole), Slipfitter mount(square pole), Trunnion mount. 640W & 960W: Trunnion mount.		
Light Source	SMD LED		
Luminous Efficacy	130lm/w		
Operation Temp.	-40 to +45°C		
CCT	2700K SW / 3000K WW / 4100K NW / 5000K DW / 5700K CW		
CRI	80+		
Color	Standard style: all black, Customizable other colors.		
Life Span	50,000 hours at 25°C		
Voltage	100-277VAC/50-60HZ /200-480VAC/50-60Hz		
Driver	UL listed power supply		
Dimming	Available		
Beam Angle	TYPE III-M TYPE IV-M		
PF	>0.95		
Warranty	5Years		

DIMENSIONAL DRAWING



450W(Trunnion mount)



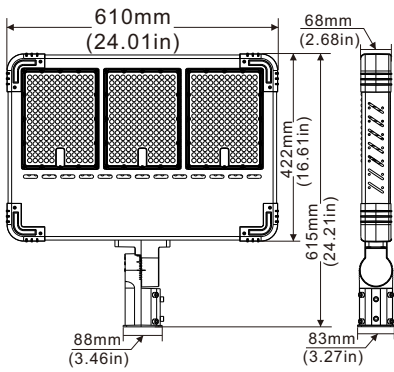
450W(Round pole mount)



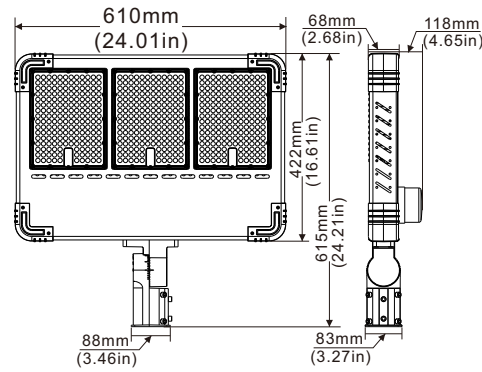
640W



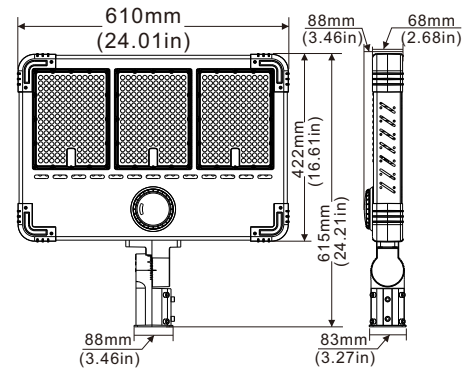
960W



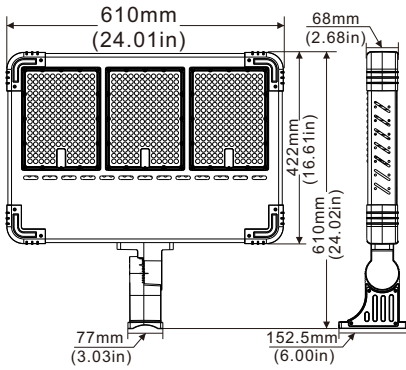
Conventional(round pole)



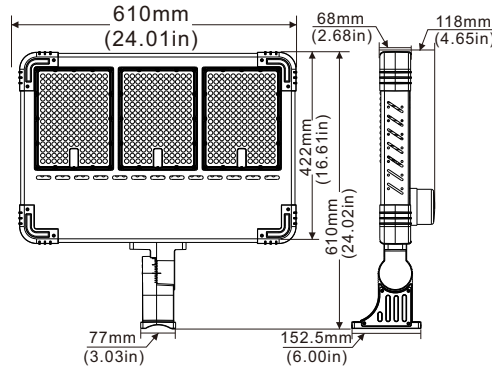
Photocell sensor(round pole)



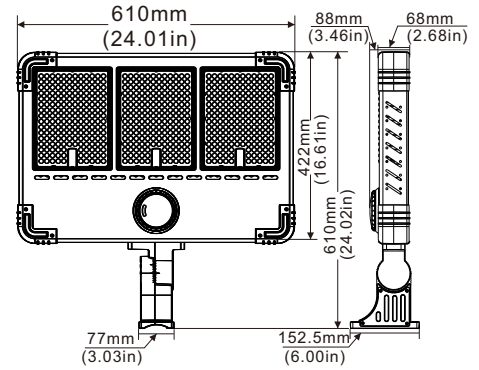
Motion sensor(round pole)



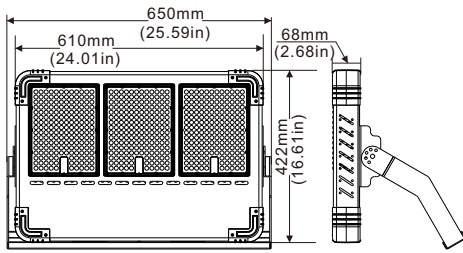
Conventional(square pole)



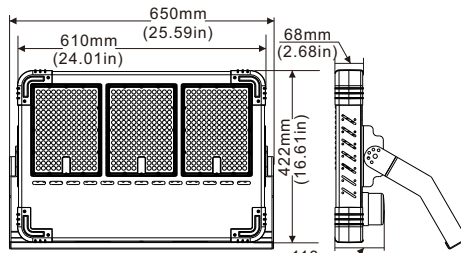
Photocell sensor(square pole)



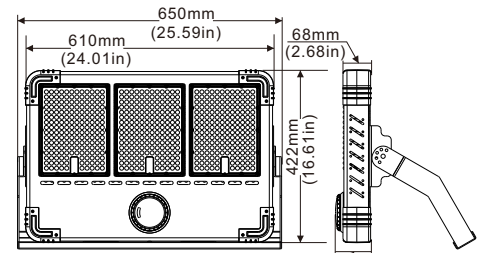
Motion sensor(square pole)



Conventional(Trunnion)

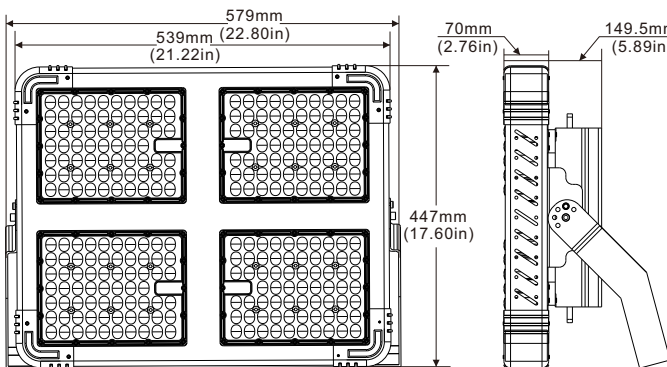


Photocell sensor(Trunnion)

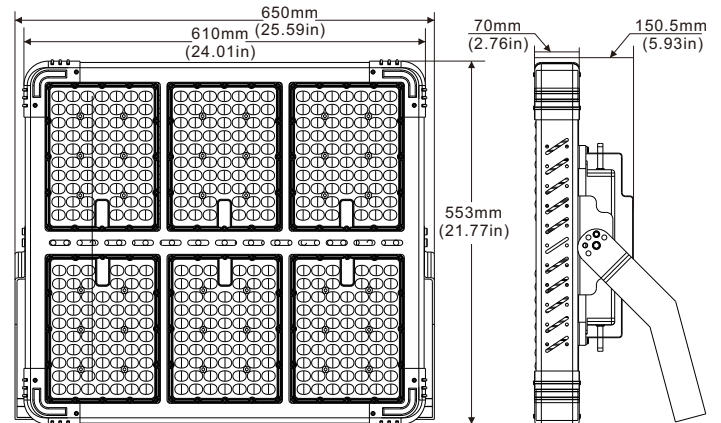


Motion sensor(Trunnion)

450W

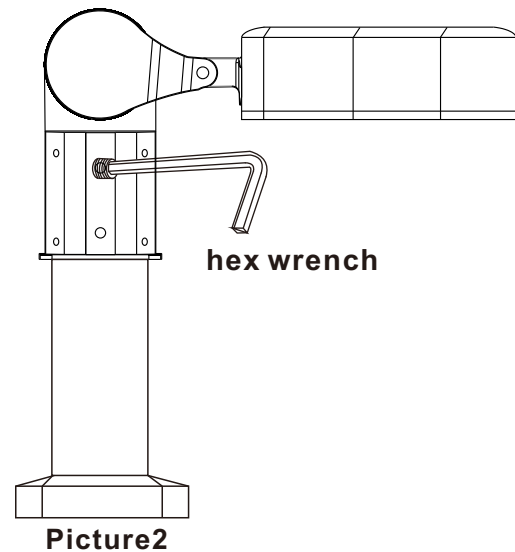
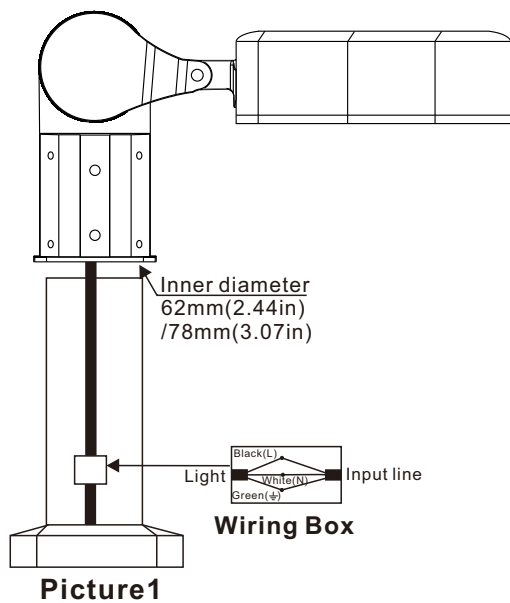


640W



960W

Pole mounting



Step1: Turn off the power before installation.

Step2: Wiring right in the wiring box("Black" is connected to "L", "White" connect to "N", "Green" to "Ground") and set the lamp into the bracket by the hole. (picture1).

Step3: We should fasten the four screws with a hex wrench, and finished (picture2).

Wall mounting

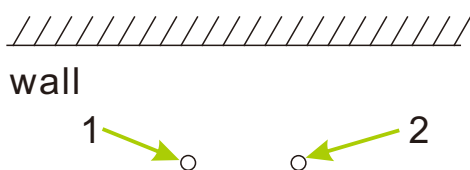
STEP1: Drill 2 holds on the wall (The distance between the two holes should be determined according to the lamp), as picture 1.

STEP2: Put the 2 expansion studs into 2 holes.

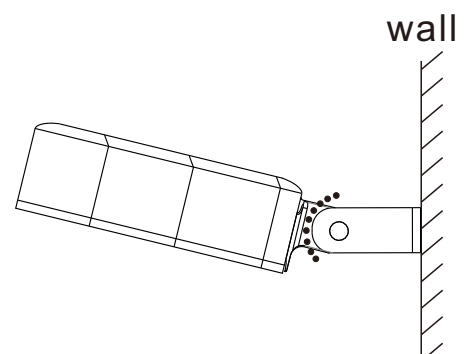
STEP3: Use two expansion screws to secure the bracket to the wall through 2 holds.

STEP4: We should use the hex wrench to loosen the two screws on both sides of the bracket, and then adjust the angle of the lamp, as shown in Figure 2.

STEP5: Secure the screws with a hex wrench, and finished.



Picture1



Picture2

PROJECTS

By using our 960W LED Stadium Light to replace 3000W Metal Halide bulb for stadium fixtures, the customer is now able to save a lot per month from his electric bill.



Replace

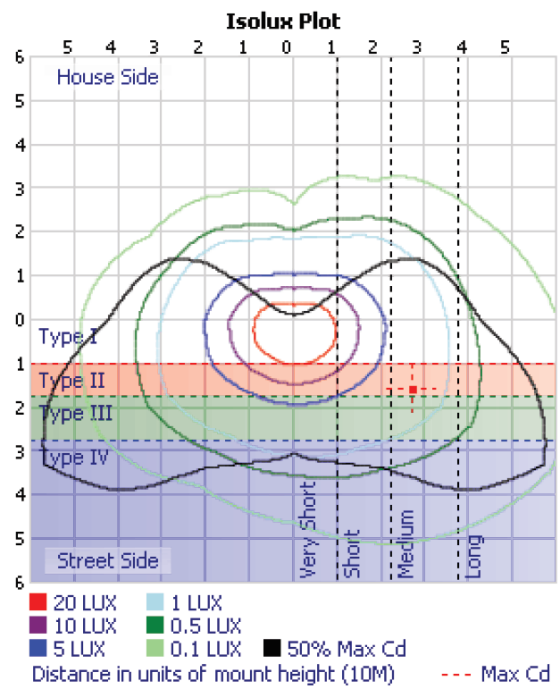
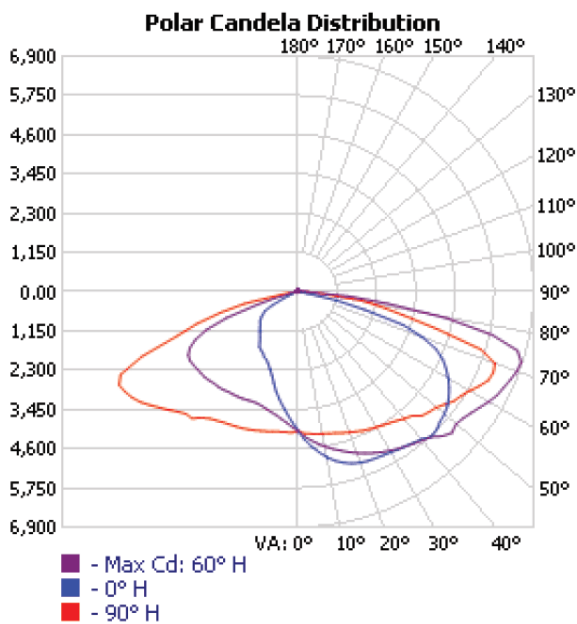


960W LED = 3000W MH

Note:

- Don't take the LED lamp apart.
- The LED lamp must work under the right voltage according to the specification.

LUMINOUS INTENSITY DISTRIBUTION



PACKING INFO



Packaging unit	Carton Size(mm) (L*W*H)	N.W	G.W	Volume weight
1pc/CTN (450W)	660*430*210mm	18.0kg	19.0kg	14.0kg
1pc/CTN (640W)	620*460*210mm	22.0kg	23.0kg	14.0kg
1pc/CTN (960W)	660*620*210mm	36.0kg	37.0kg	20.0kg