



LED Mini Corn Light

BRIGHTEN YOUR LIFE

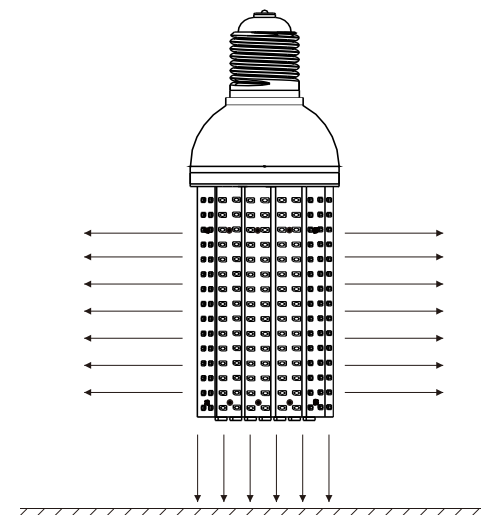
NEW LED TECHNOLOGY THAT ALLOWS THE
COEXISTENCE OF ENVIRONMENTAL
PROTECTION AND ENERGY SAVING

Benefits

1. Incandescent/MH/HPS/HID/MHL/CFL lamp retrofit
2. Screw Base Direct Install by bypass ballast
3. 100% Pure Aluminum Fins Heat Sink
4. Universal Base E26/E27/E39/E40
5. CE ROHS listed

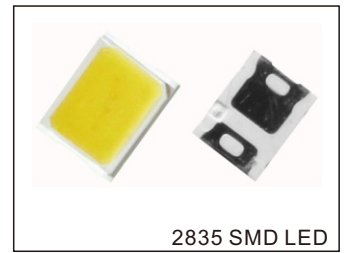


BB-HJD-XXX



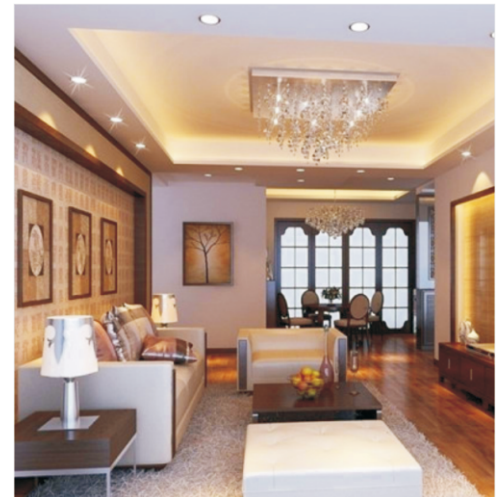
Features

1. Beam angle:360 degrees.
2. It's major to replace the CFL/MH/HID/HPS.
3. Green, energy saving, long and reliable life of 50,000 hours.
4. No RF interference, No IR/UV radiation ,no mercury pollution.
5. Wide colour availability in degrees Kelvin(K),2700-6700K.
6. Streamline exterior design, beautiful appearance.
7. Environment friendly ,energy saving (70~80%).
8. Special circuit design, each LED work separately, avoiding the single broken LED influence problem.



Application

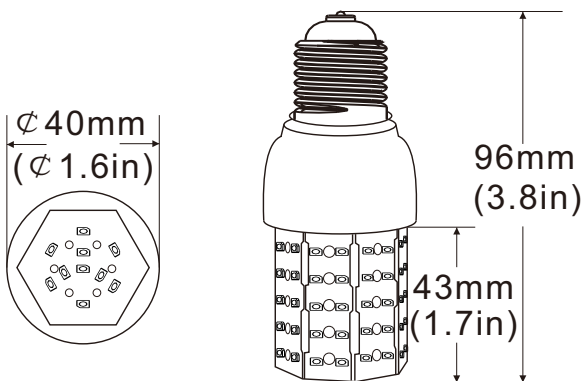
1. Wall Lamp.
2. ceiling Lamp.
3. chandeliers.
4. Table Lamp.
5. Floor Lamp.



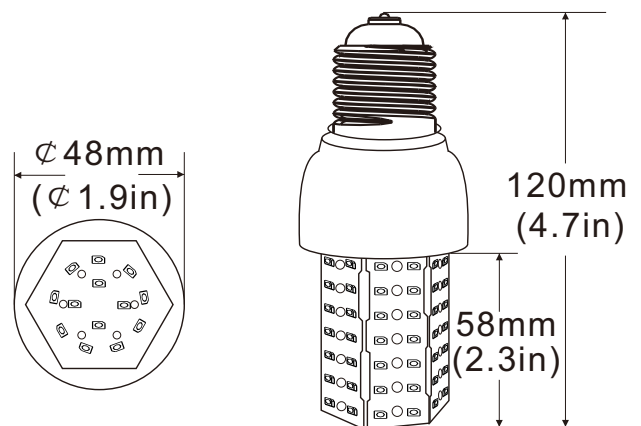
SPECIFICATIONS

Power	6W			9W		
Model	BB-HJD-011			BB-HJD-012		
Luminous Flux	660lm			990lm		
Replacement	CFL/HPS 18W			CFL/HPS 25W		
Dimension	E27	G24D	G24Q	E27	G24D/G23-2/Gx23-2	G24Q
	D40*96mm	D46*104mm	D46*96mm	D48*120mm	D46*119mm	D46*111mm
	G23/Gx23	G23-2/Gx23-2	Gu24	G23	Gx23	Gu24
	D38*111mm	D46*104mm	D42*81mm	D48*144mm	D48*159mm	D48*137mm
	The above is not the conversion lamp cap			G23/Gx23/Gu24 are conversion lamp cap		
Light Source	SMD LED					
Luminous Efficacy	>110lm/w					
Operation Temp.	-40 to +45°C					
CCT	2700K SW / 3000K WW / 4100K NW / 5000K DW / 5700K CW					
CRI	85					
Life Span	50,000 hours at 25°C					
Voltage	100-277VAC/50-60HZ					
Driver	Internal Power Supply					
Dimming	NO					
Beam Angle	360°					
Lamp Base	E27	G24D-1/2/3	G24Q-1/2/3	Gu24	G23	G23-2 Gx23 Gx23-2
PF	>0.95					
Warranty	3Years					

DIMENSIONAL DRAWING

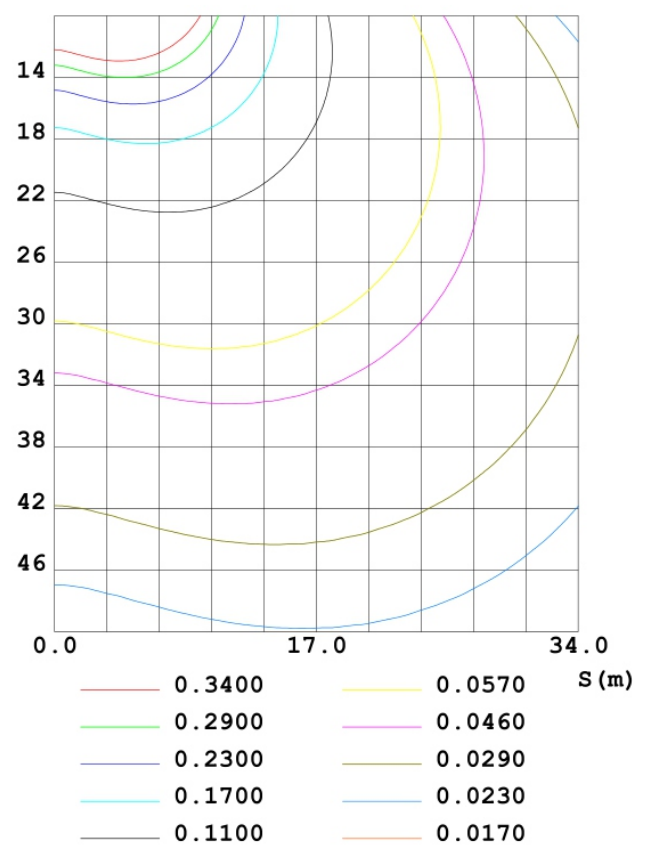
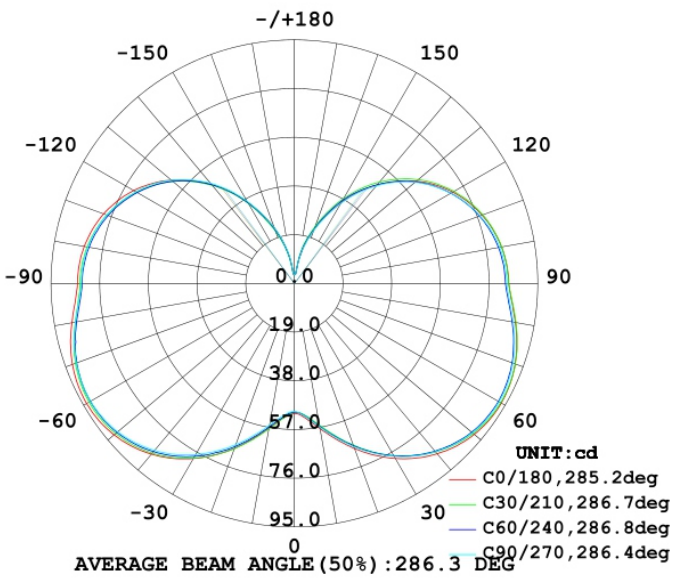


6W-E27



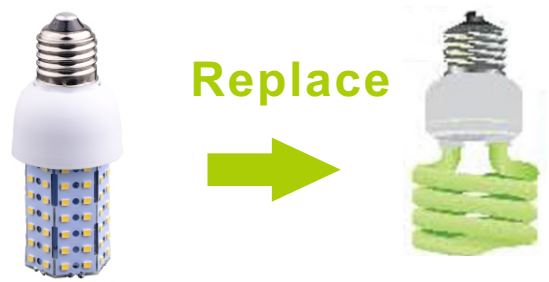
9W-E27

LUMINOUS INTENSITY DISTRIBUTION



PROJECTS

By using our 9W LED Corn Bulb to replace 25W Compact Fluorescent Lamp for garden wall lighting fixtures, the customer is now able to save a lot per month from his electric bill.



9W LED = 25W CFL



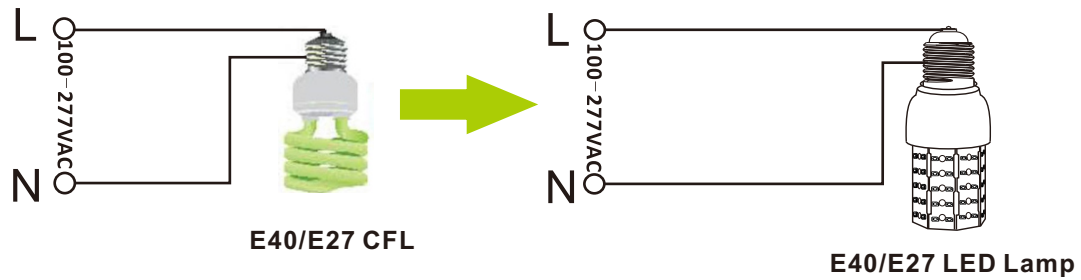
Note:

- Don't take the LED lamp apart
- The LED lamp must work under the right voltage according to the specification

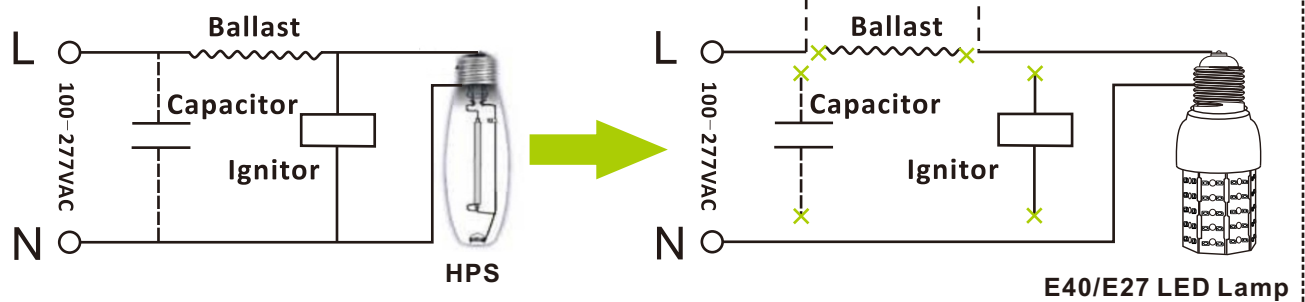
INSTALLATION

Normally. The traditional lamp has the ballast or capacitor or ignitor, like HPS, MH.

Replace E40/E27 CFL



Replace HPS/MH



1. Remove the Ballast, Capacitor, Ignitor
2. Only need to put the L (live wire), N (null line) connected to the external power supply

When LED Corn Light installed in enclosed fixture, please make sure fixture diameter enough big for heat dissipation.



PACKING INFO



Items	Packaging unit	Carton Size(mm) (L*W*H)	N.W	G.W	Volume weight
6W	250pcs/CTN	530*530*270mm	30.0kg	30.5kg	18.0kg
9W	200pcs/CTN	530*530*270mm	24.0kg	24.5kg	18.0kg