



LED SLIM WALL PACK LIGHT BRIGHTEN YOUR LIFE

NEW LED TECHNOLOGY THAT ALLOWS THE
COEXISTENCE OF ENVIRONMENTAL
PROTECTION AND ENERGY SAVING

Benefits

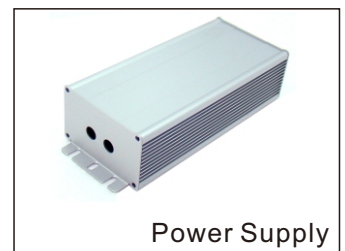
1. Replace conventional wallpack lamp.
2. Precision die cast aluminum housing.
3. Durable chip and fade resistant power coat finish.
4. Easy installation.
5. CE ROHS ETL listed.



BB-RSD-XXX-C1

Features

1. Beam angle:120 degrees.
2. Aluminum die-casting heat sinks is good for heat dissipation.
3. It's major to replace the CFL/MH/HID/HPS.
4. Green, energy saving, long and reliable life of 50,000 hours.
5. No RF interference, No IR/UV radiation ,no mercury pollution.
6. Wide colour availability in degrees Kelvin(K),2700-6700K.
7. Streamline exterior design, beautiful appearance.
8. Environment friendly ,energy saving (70~80%).
9. Special circuit design, each LED work separately, avoiding the single broken LED influence problem.



Application

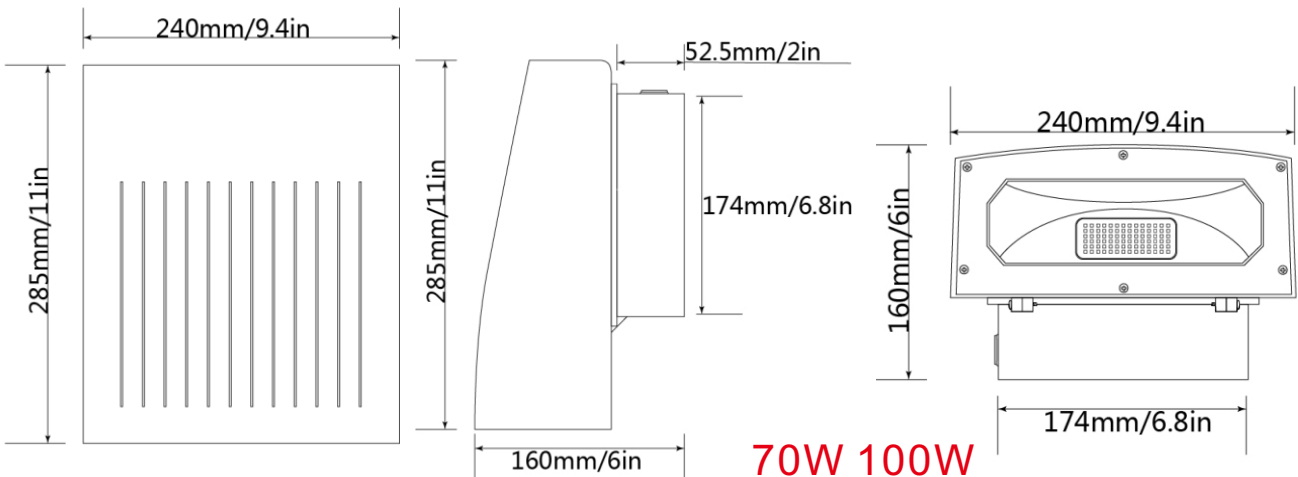
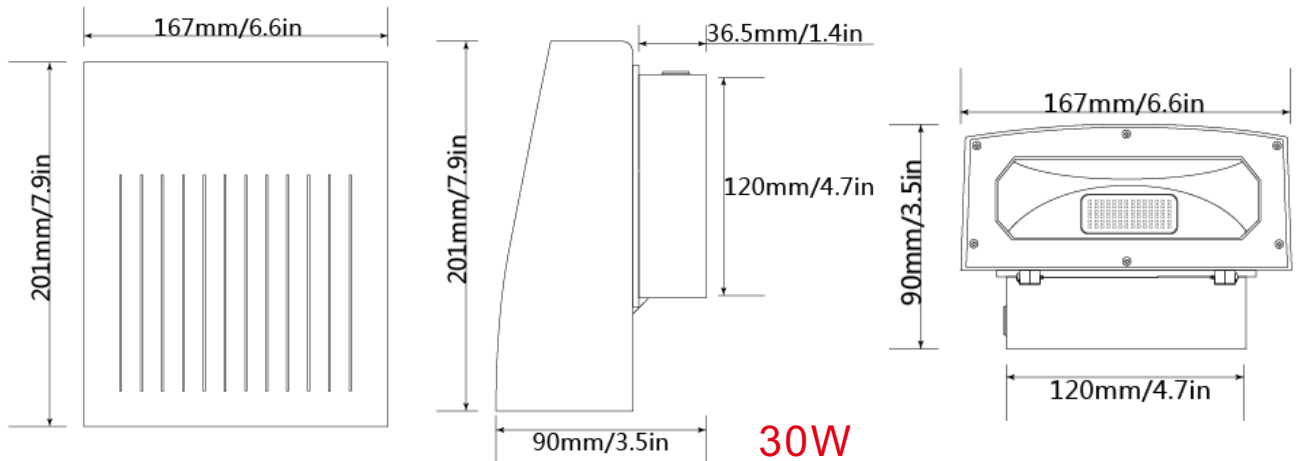
1. Parking lot Lighting.
2. Garden yard Lighting.
3. Outdoor Building Lighting.
4. High/Low Bay Lighting.



SPECIFICATIONS

Power	30W	70W	100W
Model	BB-RSD-30W-C1	BB-RSD-70W-C1	BB-RSD-100W-C1
Luminous Flux	3900lm	9100lm	13000lm
Replacement	HPS 100W	HPS 250W	HPS 300W
Light Source	SMD LED		
Luminous Efficacy	>130lm/w		
Operation Temp.	-40 to +45°C		
CCT	2700K SW / 3000K WW / 4100K NW / 5000K DW / 5700K CW		
CRI	85		
Life Span	50,000 hours at 25°C		
Voltage	100-277VAC/50-60HZ 200-480VAC available		
Driver	BBIER POWER SUPPLY		
Dimming	NO		
Beam Angle	120°		
PF	>0.95		
Warranty	5Years		

DIMENSIONAL DRAWING



PACKING INFO



Items	Packaging	Carton Size(mm) (L*W*H)	N.W	G.W	Volume weight
30W	1pc/CTN	235*200*180mm	1.7kg	2.1kg	2.5kg
	4pcs/CTN	370*250*425mm	8.3kg	9.3kg	9.5kg
70W/100W	1pc/CTN	325*285*240mm	4.1kg	5.0kg	5.5kg
	2pcs/CTN	510*300*350mm	10.0kg	11.0kg	12.5kg