



# LED Stadium Light

## BRIGHTEN YOUR LIFE

NEW LED TECHNOLOGY THAT ALLOWS THE  
COEXISTENCE OF ENVIRONMENTAL  
PROTECTION AND ENERGY SAVING

### Benefits

1. Replace conventional Stadium Lights.
2. Precision Die Cast Aluminum Housing.
3. Fade Resistant Powder Coat Finish.
4. Easy Installation.
5. CE ROHS listed.



Without baffle



With baffle



Back

BB-LD-XXXW-Q2

## Features

1. Beam angle:10 25 60 degrees.
2. Aluminum die-casting heat sinks is good for heat dissipation.
3. It's major to replace the conventiona stadium light.
4. Green, energy saving, long and reliable life of 50,000 hours.
5. No RF interference, No IR/UV radiation ,no mercury pollution.
6. Wide colour availability in degrees Kelvin(K),2700-6700K.
7. Streamline exterior design, beautiful appearance.
8. Environment friendly ,energy saving (70~80%).
9. Special circuit design, each LED work separately, avoiding the single broken LED influence problem.



## Application

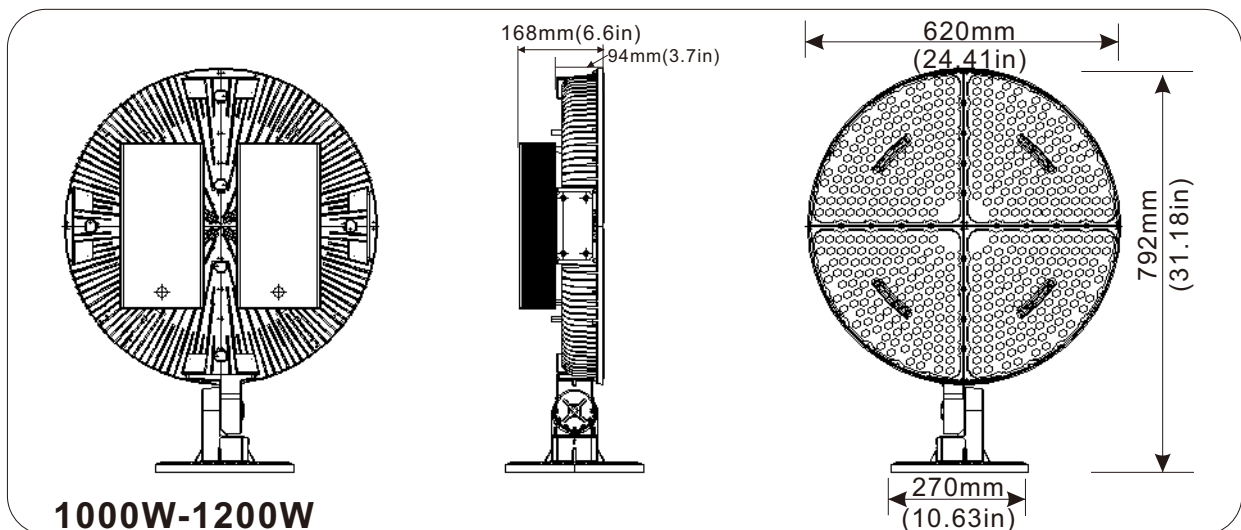
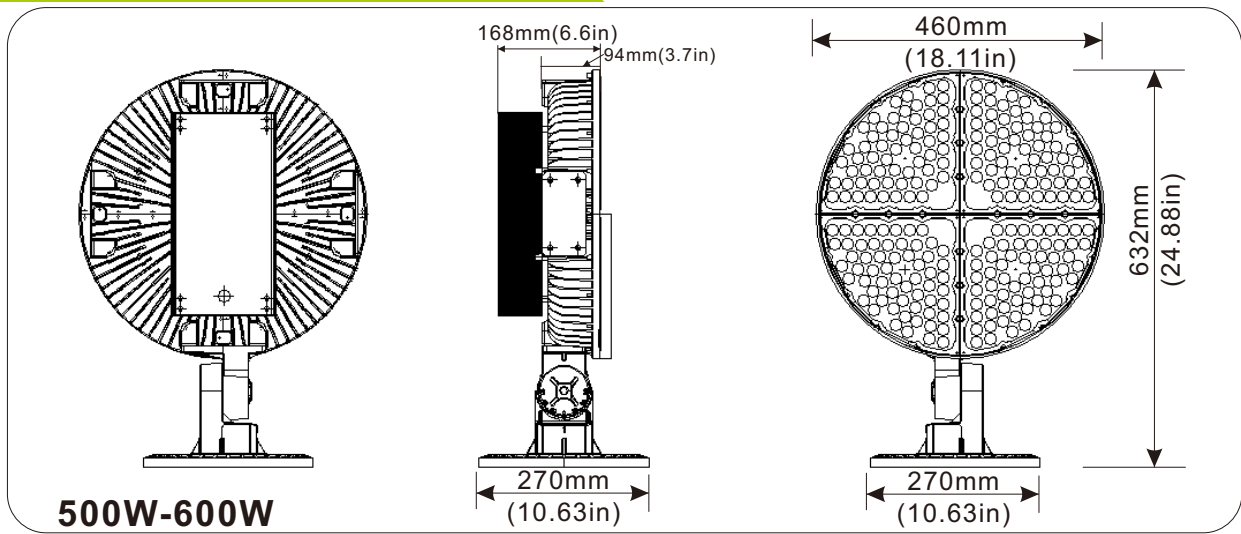
1. Stadium Lighting.
2. Parking lot lighting.
3. Industrial Lighting.
4. Port wharf Lighting.
5. Roadway Lighting.



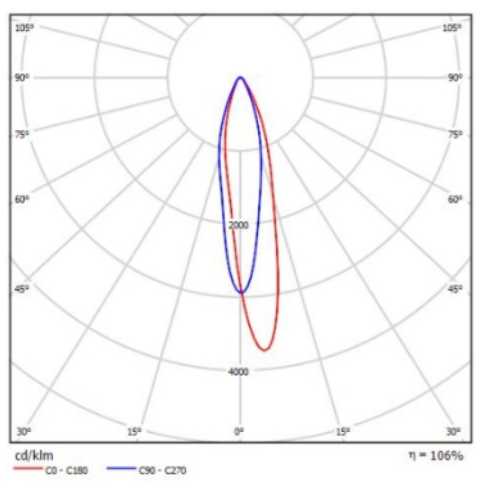
# SPECIFICATIONS

Power	500W	600W	1000W	1200W
Model	BB-LD-500W-Q2	BB-LD-600W-Q2	BB-LD-1000W-Q2	BB-LD-1200W-Q2
Luminous Flux	65000lm	78000lm	130000lm	156000lm
Replacement	HPS 1500W	HPS 2000W	HPS 3000W	HPS 3500W
Beam Angle	10° / 25° / 60°		10° / 25° / 60°	
Dimension	632*460*270mm		792*620*270mm	
Luminous Efficacy	SMD LED			
Luminous Efficacy	130lm/W			
Operation Temp.	-40 to +45°C			
CCT	2700K SW / 3000K WW / 4100K NW / 5000K DW / 5700K CW			
CRI	70+			
Life Span	50,000 hours at 25°C			
Voltage	100-277VAC/50-60HZ			
Driver	UL listed power supply			
Dimming	Available			
Sensor	Microwave sensor Daily sensor available			
Cover	Black or Silver, optional			
Baffle	With baffle or without baffle, optional			
IP	67			
PF	>0.95			
Warranty	5Years			

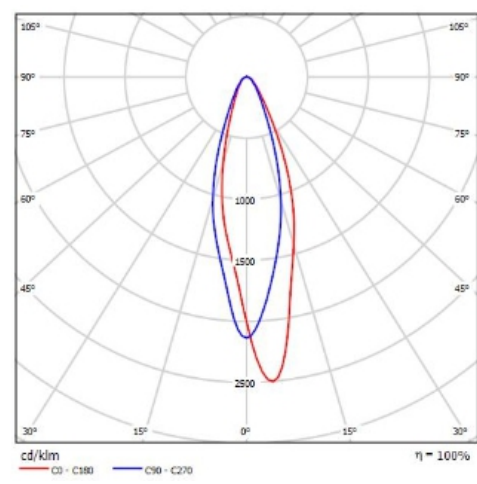
# DIMENSIONAL DRAWING



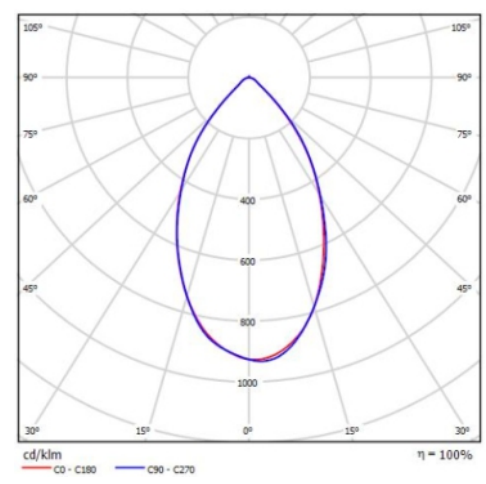
# LUMINOUS INTENSITY DISTRIBUTION



10 degree



25 degree



60 degree

## PROJECTS

By using our 500W Stadium Light to replace 1500W Metal Halide bulb for stadium lighting fixtures, the customer is now able to save a lot per month from his electric bill.



Replace  
➔



### Note:

**500W LED = 1500W MH**

- Don't take the LED lamp apart.
- The LED lamp must work under the right voltage according to the specification.

## PACKING INFO



Packaging	Carton Size(mm) (L*W*H)	N.W	G.W	Volume weight
500-600W/1pc	620*495*230mm	14kg	15kg	17kg
1000-1200W/1pc	855*675*260mm	25kg	26kg	35kg