

LED AREA SERIES POST TOP



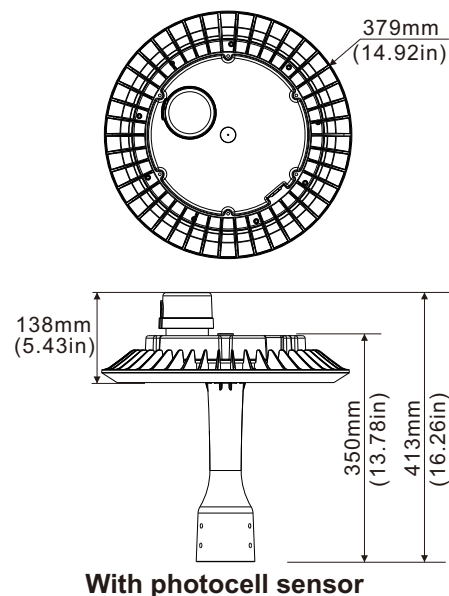
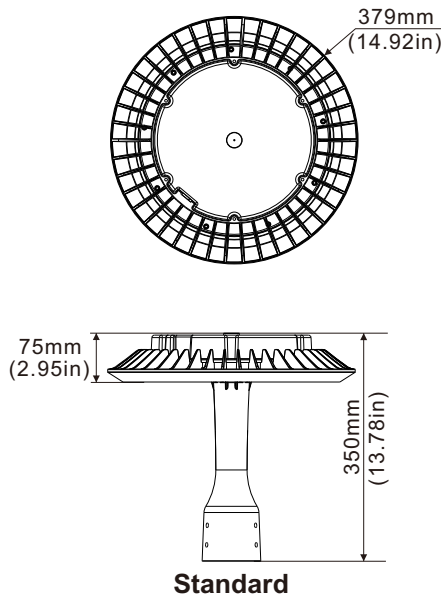
PRODUCT DESCRIPTION

The area series has the high-performance solution for the most demanding applications within a unique design. With different precision refractive optical lens and an easy-install design, it can be used in many applications such as pedestrian street, factory, schools, garden, courtyard, hotel, parking lot, public parks etc.

FEATURE

1. Air cooling Design
2. IP67 Rated Enclosure
3. Post top or Pendant Mounting
4. Superior Low-glare Illumination
5. Optional with Photocell Sensor
6. Beam Angle 120°

*If the customer does not specify a requirement, the inner diameter defaults to 62mm(2.44in).



Ordering Information

Area Series	Watts	Version	CCT	Voltage	Control	Installation	Beam Angle	Color
BB-LD	50W	AR-D1	WW-3000K	Blank-100-277VAC	Blank - without control	Blank- 2.44in(62mm) pole	Blank-120°	Blank-bronze
	75W		NW-4100K	HV-200-480VAC	PC - Photocell Sensor			
	100W		DW-5000K					
	150W		CW-5700K					
	180W							

Notes:

1. 130lm/w, 150lm/w is optional, the default is 130lm/w.
2. Customers can choose a lamp with a baffle as needed.

Special Order-Ask Customer Service

PERFORMANCE DATA

Power	50W	75W	100W	150W	180W
Model	BB-LD-50W-AR-D1	BB-LD-75W-AR-D1	BB-LD-100W-AR-D1	BB-LD-150W-AR-D1	BB-LD-180W-AR-D1
Luminous Flux	6500lm	9750lm	13000lm	19500lm	23400lm
Replacement	HPS 150W	HPS 200W	HPS 300W	HPS 500W	HPS 600W
Light Source	SMD LED				
Luminous Efficacy	130lm/w 150lm/w available				
Operation Temp.	-40 to +45°C				
CCT	2700K SW / 3000K WW / 4100K NW / 5000K DW / 5700K CW / 6500K SCW				
CRI	85				
Life Span	50,000 hours at 25°C				
Voltage	100-277VAC/50-60HZ				
Driver	UL listed power supply				
Dimming	Available				
With Sensor	Photocell sensor available				
Color	Bronze				
Cover	Transparent Lens				
Beam Angle	120°				
IP	65				
PF	>0.95				
Warranty	3/5 Years				

PROJECTS

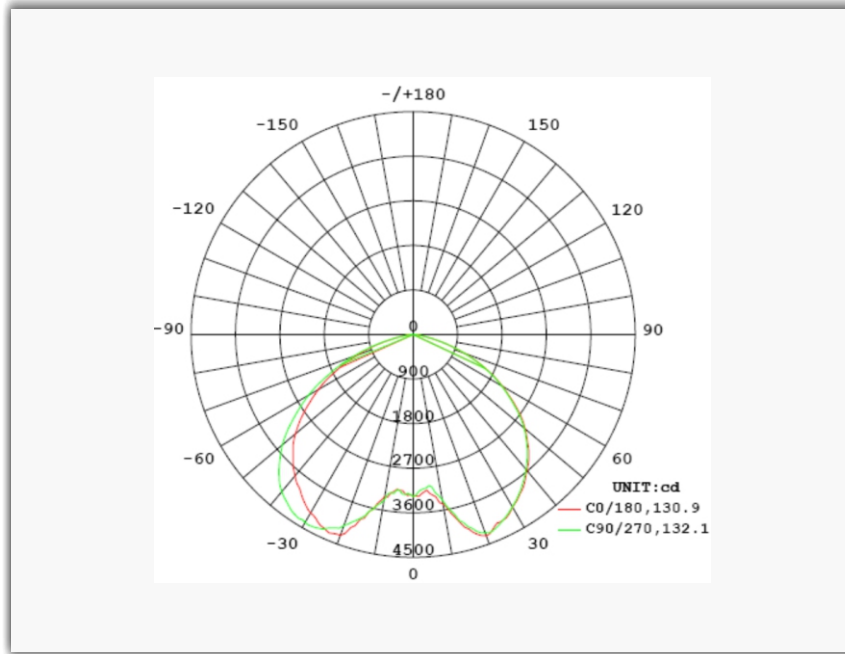
By using our 100W Area Light to replace 300W Metal Halide bulb for parking area lighting fixtures, the customer is now able to save a lot per month from his electric bill.



Notes:

1. Don't take the LED lamp apart.
2. The LED lamp must work under the right voltage according to the specification.

LUMINOUS INTENSITY DISTRIBUTION



APPLICATION

- Courtyard lighting
- Public parks lighting
- Street scapes lighting
- Parking areas lighting
- Hotel lighting



Street scapes lighting



Hotel lighting

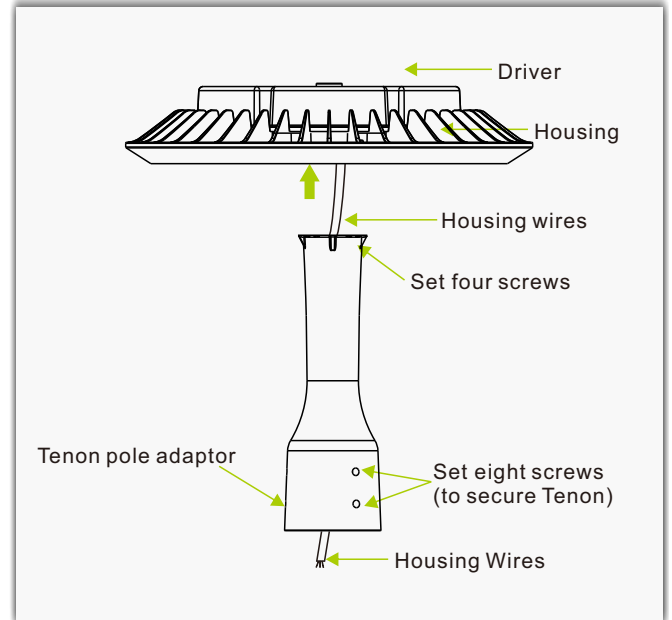


Public parks lighting

INSTALLATION

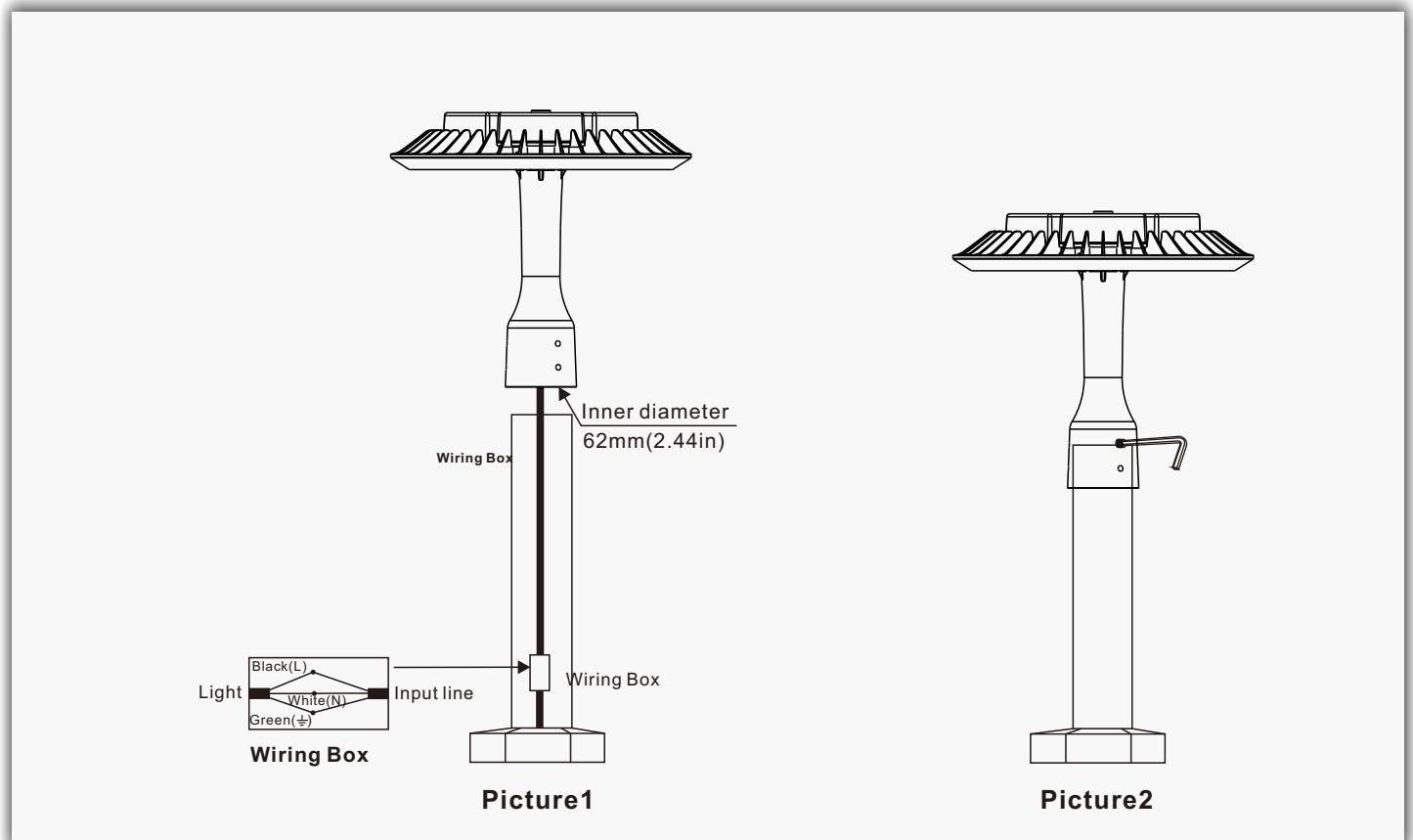
Fixture assembly

- Feed the Housing wires through the tenon pole adaptor .
- Secure the tenon pole adaptor to the lamp with four M4 screws.
- Make sure the screws are tight and there is no looseness.



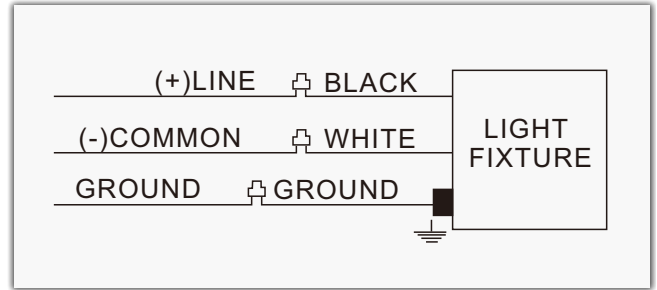
Pole mounting

- Turn off the power before installation.
- Wiring right in the wiring box ("Black" is connected to "L", "White" connect to "N", "Green" to "Ground") and set the lamp into the bracket by the hole. (picture1).
- We should fasten the eight screws with a hex wrench, and finished (picture2).



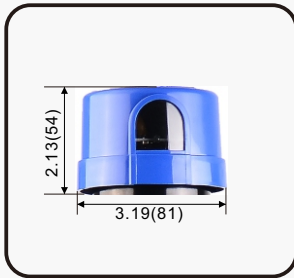
Wiring

- Connect the black fixture lead to the (+) LINE supply lead.
- Connect the white fixture lead to the (-) COMMON supply lead.
- Connect the green Ground wire from fixture to supply ground.

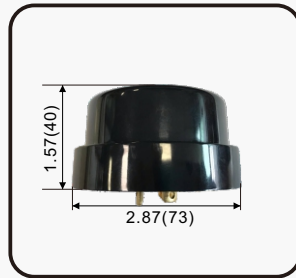


Optional Accessories

Unit: in(mm)



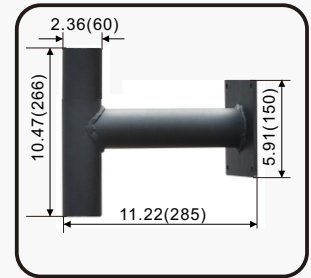
Photoelectric Control



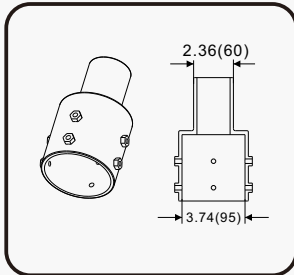
Short Cap



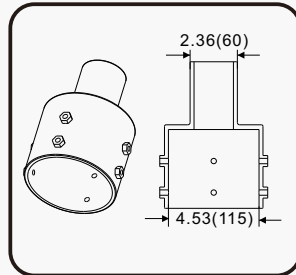
Motion Sensor



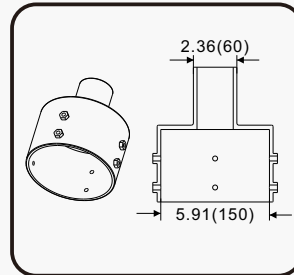
Wall Bracket



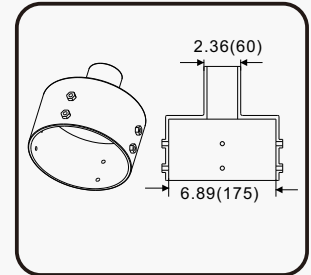
MGD03(2.4" to 3.5" round pole)



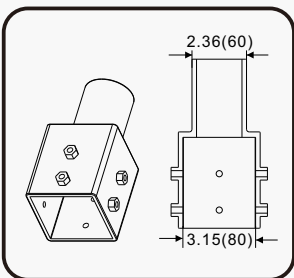
MGD04(2.4" to 3" square or 4" round pole)



MGD08(2.4" to 4" square or 5.5" round pole)



MGD09(2.4" to 6.5" round pole)



MGD10(2.4" to 3" square pole)

PACKING INFO



Packaging	Carton Size(mm) (L*W*H)	N.W	G.W	Volume weight
1pc/CTN	420*420*18mm	3.5kg	4.5kg	7.5kg