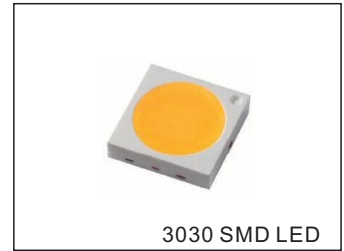




## Features

1. Beam angle:120 degrees.
2. Aluminum die-casting heat sinks is good for heat dissipation.
3. It's major to replace the conventiona linear highbay light.
4. Green, energy saving, long and reliable life of 50,000 hours.
5. No RF interference, No IR/UV radiation ,no mercury pollution.
6. Wide colour availability in degrees Kelvin(K),2700-6700K.
7. Streamline exterior design, beautiful appearance.
8. Environment friendly ,energy saving (70~80%).
9. Special circuit design, each LED work separately, avoiding the single broken LED influence problem.



## Application

1. Parking Areas Lighting.
2. Industrial Workshop Lighting.
3. Warehouse Lighting.
4. Stadium Lighting.
5. Airport Lighting.



Classroom

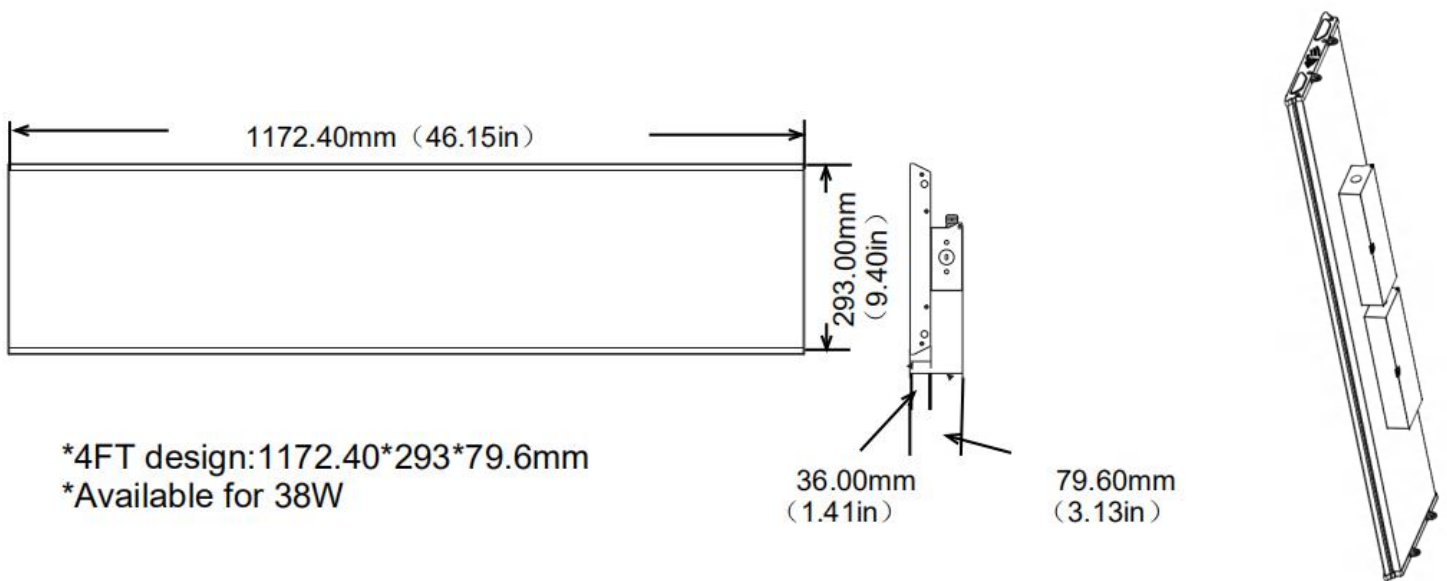


Office

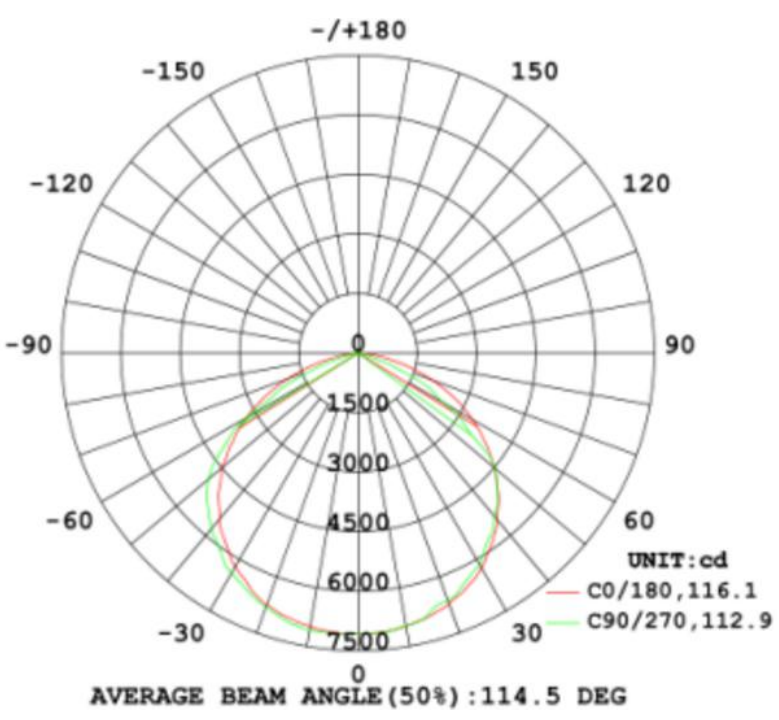
# SPECIFICATIONS

Power	38W
Model	BB-GKD-38W-2F1-A1
Luminous Flux	4900lm
Light Source	SMD LED
Luminous Efficacy	130lm/W
Operation Temp.	-40 to +45°C
CCT	3000K WW / 4100K NW / 5000K DW / 5700K CW
CRI	80+
UGR	18
Life Span	50,000 hours at 25°C
Voltage	100-277VAC/50-60Hz    200-480VAC/50-60Hz Available
Dimming	0-10V Dimmable optional
Mounting options	Chain
Beam Angle	120°
PF	>0.95
Warranty	5Years

# DIMENSIONAL DRAWING



# LUMINOUS INTENSITY DISTRIBUTION



Flux out: 16148 lm

Height	Eavg, Emax	Angle: 114.50deg	Diameter
1m	2007,7092lx		310.93cm
2m	501.8, 1773lx		621.87cm
3m	223.0, 788.0lx		932.80cm
4m	125.4, 443.2lx		1243.74cm
5m	80.28, 283.7lx		1554.67cm
6m	55.75, 197.0lx		1865.61cm
7m	40.96, 144.7lx		2176.54cm
8m	31.36, 110.8lx		2487.48cm
9m	24.78, 87.56lx		2798.41cm
10m	20.07, 70.92lx		3109.35cm

# PROJECTS

By using our 38W Linear Highbay Light to replace 114W Traditional linear lamp, the customer is now able to save a lot per month from his electric bill.



Replace



**38W LED = 114W Traditional**

## Note:

- Don't take the LED lamp apart.
- The LED lamp must work under the right voltage according to the specification.

## INSTALLATION

### Suspension chain Mounting



Step1. Turn off the power before installation.

Step2. Hang the four rings of the lamp with four chains.

Step3. Wiring right("Black" is connected to "L", "White" connect to "N", "Green" to "Ground").

Step4. Make sure it is secure and finished.

## PACKING INFO



Packaging	Carton Size(mm) (L*W*H)	N.W	G.W	Volume weight
2pcs/CTN(4F1-A1)	1220*180*380mm	10.4kg	11.5kg	17.0kg