



## PORTABLE LED WORK LIGHT BRIGHTEN YOUR LIFE

NEW LED TECHNOLOGY THAT ALLOWS THE  
COEXISTENCE OF ENVIRONMENTAL  
PROTECTION AND ENERGY SAVING

### Benefits

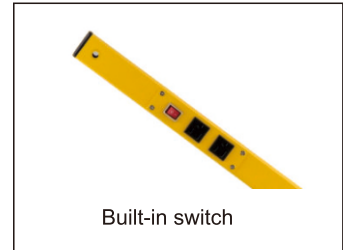
1. Optimum brightness for entire length of trailer.
2. Adjustable screw on the lamp, adjust lamp's angle by hand.
3. Compact design utilizes aluminum housing for cooling system.
4. High-visibility beam angles for optional.
5. CE/RoHS certificates.



BB-GKD-30W-H1

# Features

- \* Reliability: portable LED work light is high impact resistant with appropriate structure design ;with polyester powder coated surface;long time use in high and temperature and corrosive environment;
- \* Safety: dust proof and water proof with tightening structure for the portable work light;
- \* Energy-saving: high efficient semiconductor light-emitting technology, saving energy by 70% compared with the traditional light source;
- \* Economy: long lifespan LED SMD; maintenance-free;
- \* Convenience: U-tape bracket Mounting;
- \* Uniqueness: providing excellent optical performance by adopting high reflecting, high transmittance focus lens.
- \* Over 50000 hours lifetime and offer 5 years warranty.



# Application

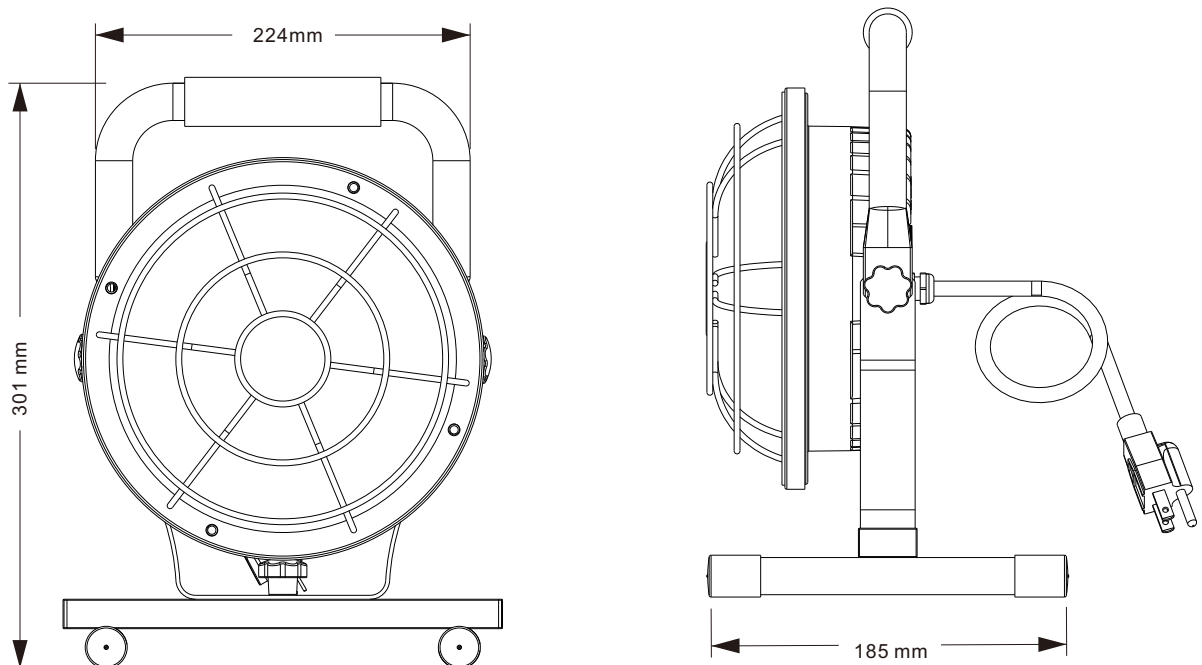
1. Factory Lighting.
2. Dock Lighting.
3. Warehouse Lighting.
4. Goods shelf Lighting.
5. Container Lighting.
6. Cabinet makers when installing kitchen cabinets and commercial furniture.
7. Motor car mechanics.
8. Engineers in factories snapping on the machines or on the sides in factories.



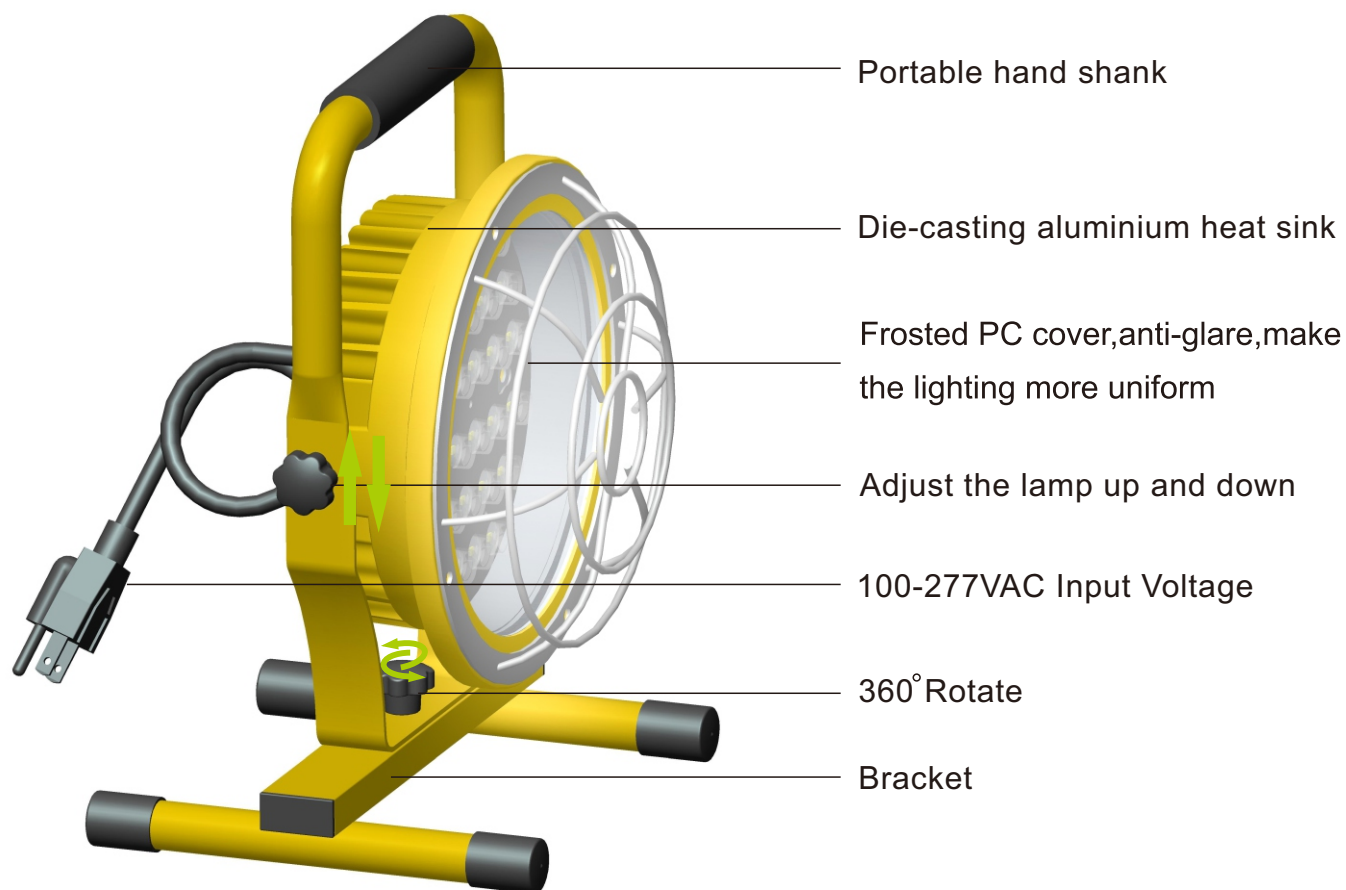
# SPECIFICATIONS

Power	30W
Model	BB-GKD-30W-H1
Luminous Flux	3300lm
Replacement	HPS 100W
Product Size	L224*W185*H301mm
Mount Type	hand-held
Accessories	Steel mesh shield
Light Source	SMD LED
Luminous Efficacy	110lm/W
Operation Temp.	-40 to +45°C
CCT	2700K SW / 3000K WW / 4100K NW / 5000K DW / 5700K CW
CRI	70+
Life Span	50,000 hours at 25°C
Voltage	100-277VAC/50-60HZ
Driver	Built-in power supply
Dimming	No
Color	Yellow
Cover	PC lens
Beam Angle(Default)	15°/30°/45°/60°
IP	65
PF	>0.95
Warranty	5Years
Lampshade	Wire mesh)Default(, Bevel(Optional)

# DIMENSIONAL DRAWING



## DETAILS



## PROJECTS

By using our 30W portable led work light to replace 300W Metal Halide bulb the customer is now able to save a lot per month from his electric bill.



**30W LED = 100W MH**

### Note:

- Don't take the LED lamp apart.
- The LED lamp must work under the right voltage according to the specification.

## ACCESSORIES

Steel mesh also optional. Customers can choose according to their needs.  
If necessary, please contact sales.



Steel mesh shield,Protect lamps from damage.

## PACKING INFO



Packaging	Carton Size(mm) (L*W*H)	N.W	G.W	Volume weight
1PCS/CTN	240*210*280mm	2.8kg	3kg	2.8kg