

LED PLANT GROWTH LIGHT



BB-GKD-XXXW-G8-D1

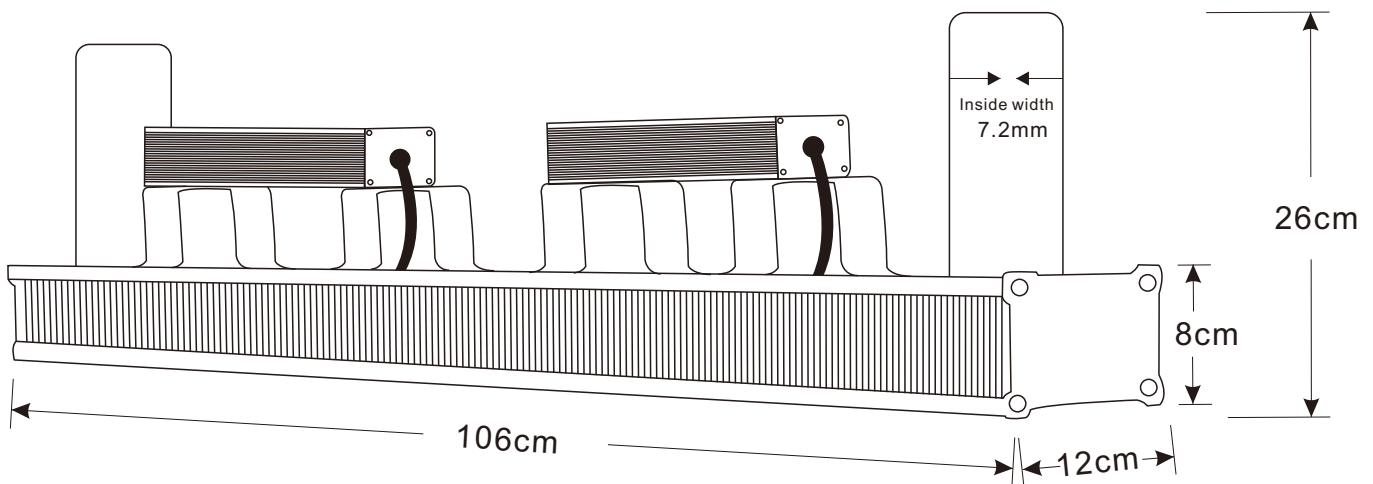
PRODUCT DESCRIPTION

The Plant growth light series has the high-performance solution for the most demanding applications within a unique design. It can be used in many applications such as greenhouse, farm, anywhere planting Flowers, Succulents, Fruits.

FEATURE

1. High efficiency white light Quantum Boards used top 2835 smd led.
2. White Light Full Spectrum for better results.
3. Hanging Mounting.

PRODUCT DIMENSIONS

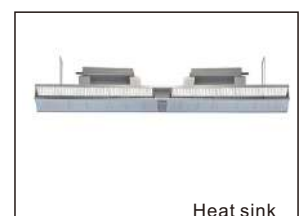


PERFORMANCE DATA

Power	640W
Model	BB-GKD-460W-G8-D1
Replacement	HPS 2000W
Dimensions	L1060*W120*H260mm
PPF	1600 Umol
LED QTY	White LED(308/pcs) Red LED(132/pcs)
PPE	2.5 Umol/J
Spectrum	Full spectrum white light+660nm plant red light
Mounting	Hanging Mounting;Mounting Height >6''(15.2cm)Above canopy
Light Source	Epistar SMD LED
Operation Temp.	-40 to +45°C
Life Span	50,000 hours at 25°C
Voltage	100-277VAC/50-60Hz 200-480VAC/50-60Hz Available
Driver	UL listed power supply
Dimming	Dimmable
Sensor	No sensor
Surface Treatment	Al6063 surface anodizing treatment
Material	Aluminum+PC
Supplementation time	16-20H/day
PF	>0.95
Warranty	5Years

DETAILS

- 1.Top unique design 3.0/W conductivity, 2OZ copper thickness.
- 2.High efficiency white light Quantum Boards used top SMD LED.
- 3.White Light Full Spectrum for better results.
- 4.UL listed power supply, Safe and reliable, long life.
- 5.Perfect performance for veg and bloom.
- 6.Green, energy saving, long and reliable life of 50,000 hours.
- 7.No RF interference, No IR/UV radiation ,no mercury pollution.
- 8.Better canopy light penetration with diffused light.
- 9.Environment friendly ,energy saving (70~80%).
- 10.Special circuit design, each LED work separately, avoiding the single broken LED influence problem.



PROJECTS



1. The optimal full spectrum lighting which provides plants in all stages from veg to flower with everything they need in the natural sunlight. Very suitable for large planting areas, such as farms and VEG greenhouses.

2. Led grow lights use Independent detachable MEANWELL Driver Adjustable (100-277V). High Energy Efficiency with 2.5 umol/J, producing better canopy light penetration, with the power 70% lower than HPS or Bluepurple lamps, and the yield 70% higher.

3. Fanless and noiseless design will make your planting life easy and quiet.

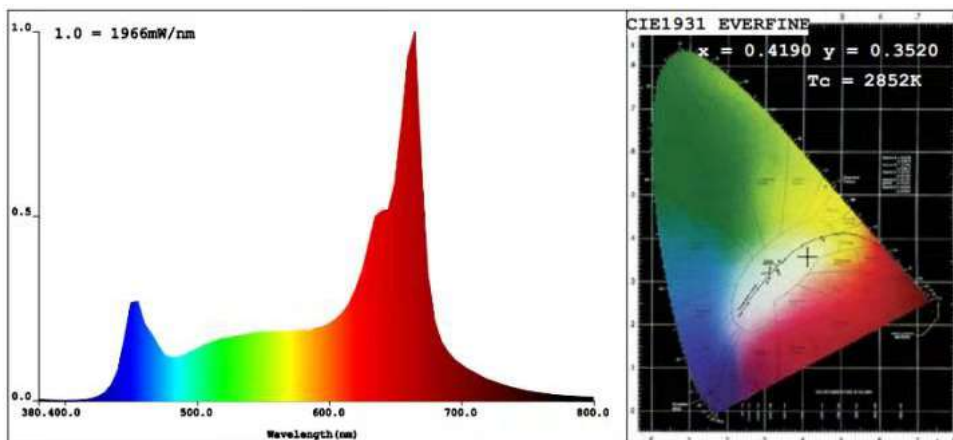
4. Easy to install .

APPLICATION

- Greenhouse
- Farm
- Container Farm
- Hydroponic Growing
- Vertical Farm
- Mini Garden



WAVELENGTH-SPECTRUM



CIE Color Parameters:
 Chromaticity Coordinate: $x=0.4190$ $y=0.3520$ / $u'=0.2624$ $v'=0.4961$ ($duv=-1.99e-02$)
 CCT: $T_c=2852K$ Prcp WaveL: $\lambda_p=595.7nm$ Purity=31.4%
 Peak WaveL: $\lambda_p=665nm$ Half Width: $\Delta\lambda=37.0nm$ Ratio: R=29.4% G=66.1% B=4.5%
 Average Wave: 630nm CLASS: OUT
 Rendering Index: Ra=71.5 Ra'=64.2
 R1 =66 R2 =79 R3 =96 R4 =69 R5 =64 R6 =74 R7 =84 R8 =42

Detailed diagram of smart timer and plug cord



Power plug



Waterproof connector

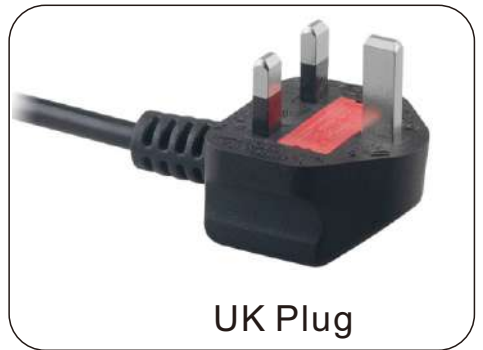
Optional accessories



AU Plug



EU plug



UK Plug



Power cable



Adjustable



Intelligent control



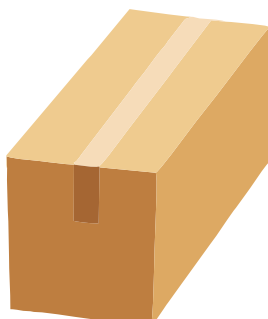
The WIFI timer has US, EU, UK and Australian standards, and the timer is compatible with our lights and dimmer switches.

Ordering Information

Area Series	Watts	Version	CCT	Voltage	Control	Installation	Dimming	Color
BB-GKD	640W	G8-D1	Full spectrum	Blank-100-277VAC HV-200-480VAC	Blank - Without control WT- WIFI timer	Lift on/off type	Blank-Dimming	Blank - black

Notes: For OEM&ODM orders, pls inquiry sales team.

PACKING INFO



Model	Packaging	Carton Size(mm) (L*W*H)	N.W	G.W	Volume weight
640W	1pc/CTN	1100*140*200mm	9.6kg	10.5kg	9.6kg