



LED Solar Area Light

BRIGHTEN YOUR LIFE

NEW LED TECHNOLOGY THAT ALLOWS THE
COEXISTENCE OF ENVIRONMENTAL
PROTECTION AND ENERGY SAVING

Benefits

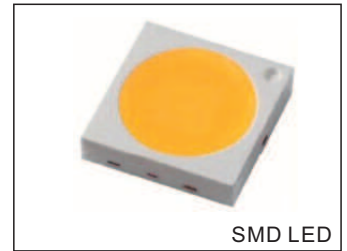
1. Replace conventional Area Lights
2. Precision Die Cast Aluminum Housing
3. Fade Resistant Powder Coat Finish
4. Easy Installation
5. CE ROHS listed



BB-LD-SXXX-AR-B-A3

Features

1. Beam angle:120 degrees.
2. Aluminum die-casting heat sinks is good for heat dissipation.
3. It's major to replace the conventiona area light.
4. Green, energy saving, long and reliable life of 50,000 hours.
5. No RF interference, No IR/UV radiation ,no mercury pollution.
6. Wide colour availability in degrees Kelvin(K),2700-6700K.
7. Streamline exterior design, beautiful appearance.
8. Environment friendly ,energy saving (70~80%).
9. Special circuit design, each LED work separately, avoiding the single broken LED influence problem.



Application

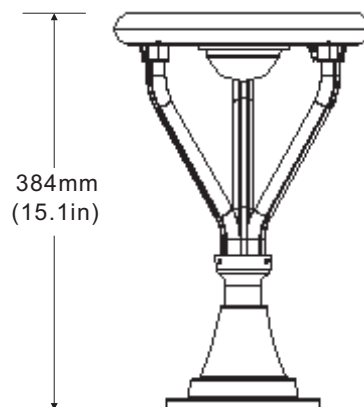
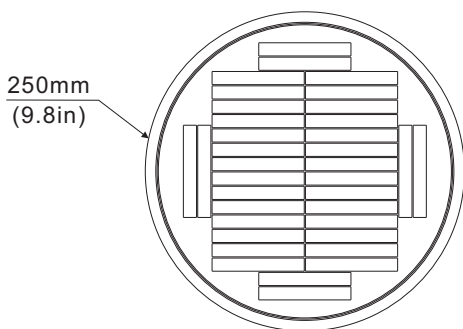
1. Park-garden lighting.
2. Courtyard lighting.
3. Community lighting.
4. Garden lighting.
5. Campus lighting.



SPECIFICATIONS

| | |
|-----------------------|--|
| LED MAX Power | 5W |
| Model | BB-LD-S5W-AR-B-A3 |
| Solar panel Max power | 6V/4W |
| Luminous Flux | 750-800lm |
| Solar Panel Dimension | Dia220*41mm |
| Mounting Height | 3-5m |
| Space Bettwen Light | 10-15m |
| Luminous Efficacy | 150-160lm/W |
| Discharge Time | more than 10-12hours |
| Sensor | Time Controller or PIR Sensor Optional |
| Charge Time | 6-7hours(with enough strong shine) |
| Solar Cell | High efficiency imported silicon solar cell |
| Light Source | SMD LED |
| Operation Temp. | -40 to +45°C |
| CCT | 2700K SW / 3000K WW / 4100K NW / 5000K DW / 5700K CW |
| Life Span | 50,000 hours |
| IP | 65 |
| Beam Angle | 120° |
| Warranty | 3Years |

DIMENSIONAL DRAWING



WORKING CHARACTERISTICS

Time Controller Optional Choice :

Optional 1. When Light sensed dark, then it will on, 4 hours later will dim to 30% of whole power.

When Light sensed daytime, then it will off.

Optional 2. Smart Dimming Solar Light

1) When light sensed dark, then it will on 4 hours.

2) Then it will work 6 hours 30% or 50%.

3) Then 70% till Light sensed daytime. Then Off .

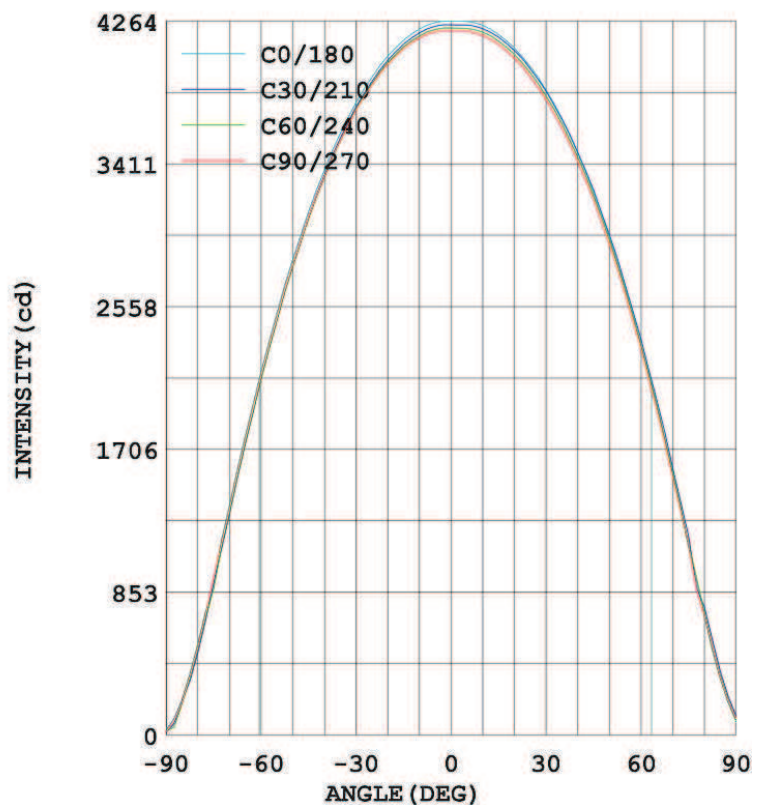
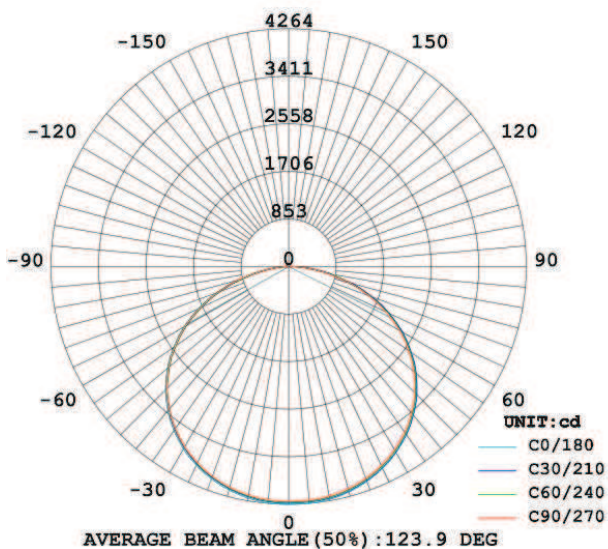
Optional 3. Anytime you want it light on , any hours you want it last . And any percentage you want it work of whole power .

Notice : If not special demand , we all produce Optional 1 for all customers.

PIR Sensor Optional Choice:

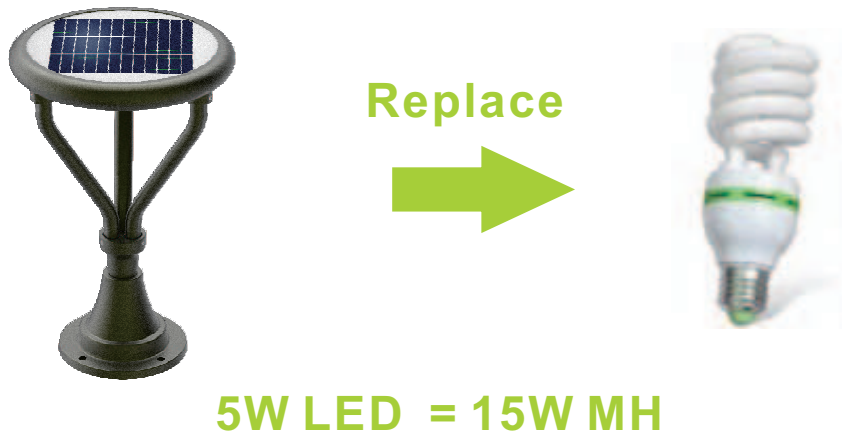
When Light sensed dark, then it will on, When Light sensed daytime, then it will off. When a person approaches the light, the light is 100% bright. After the person leaves for 120s, the brightness of the light becomes 20%.

LUMINOUS INTENSITY DISTRIBUTION



PROJECTS

By using our 5W Area Light to replace 15W Metal Halide bulb for parking area lighting fixtures, the customer is now able to save a lot per month from his electric bill.



Note :

- Don't take the LED lamp apart.
- The LED lamp must work under the right voltage according to the specification.

PACKING INFO



| Item | Packaging | Carton Size(mm) (L*W*H) | N.W | G.W | Volume weight |
|------|-----------|----------------------------|-------|-------|---------------|
| 5W | 1pc/CTN | 710*610*150mm | 8.5kg | 9.5kg | 16.0kg |