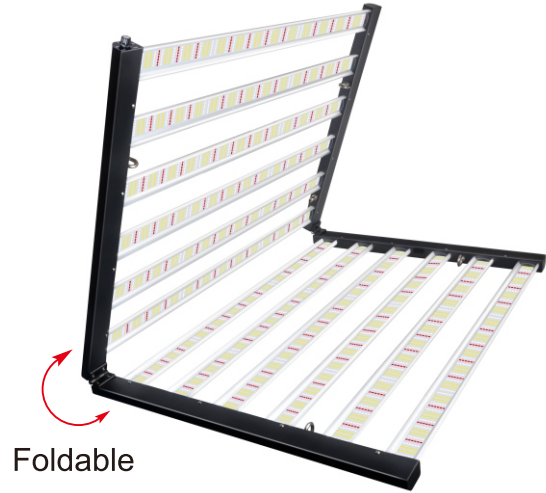


# LED PLANT GROWTH LIGHT



**BB-GKD-XXXW-G3-D2**



Foldable

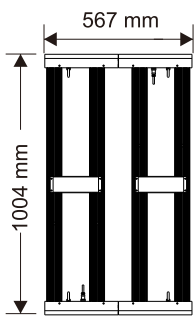
## PRODUCT DESCRIPTION

The Plant growth light series has the high-performance solution for the most demanding applications within a unique design. It can be used in many applications such as greenhouse, farm, anywhere planting Flowers, Succulents, Fruits.

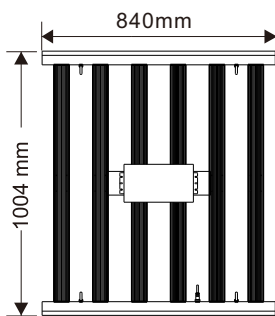
## FEATURE

1. High efficiency white light Quantum Boards used top 2835 smd led.
2. White Light Full Spectrum for better results.
3. Hanging Mounting.

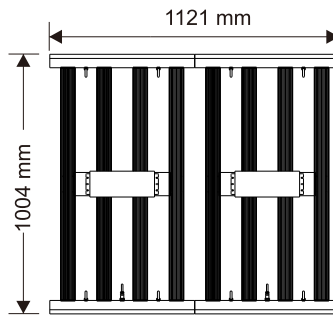
## PRODUCT DIMENSIONS



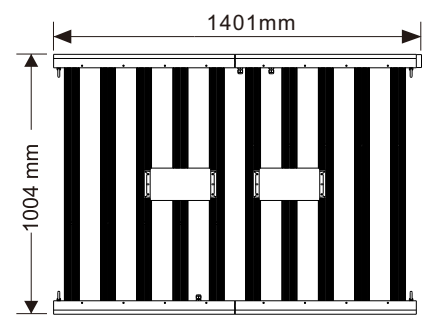
400W



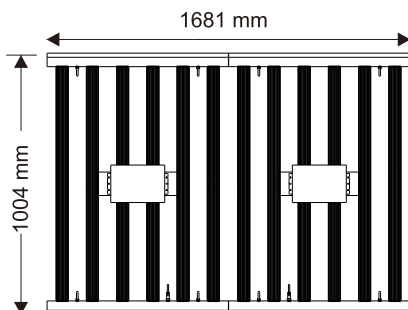
600W



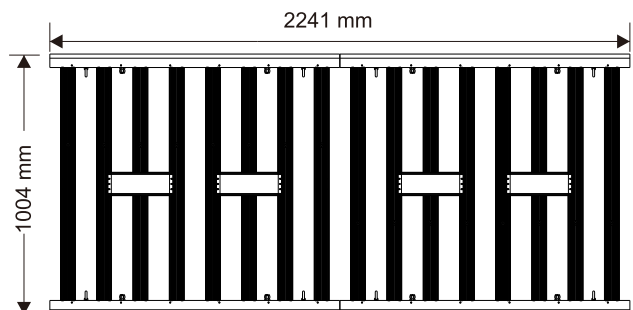
800W



1000W



1200W



1500W/1600W

## PERFORMANCE DATA

Power	400W	600W	800W	1000W
Model	BB-GKD-400W-G3-D2	BB-GKD-600W-G3-D2	BB-GKD-800W-G3-D2	BB-GKD-1000W-G3-D2
Replacement	HPS 1200W	HPS 1800W	HPS 2400W	HPS 3000W
Dimensions	L1004*W567*H46mm	L1004*W1121*H46mm	L1004*W1121*H46mm	L1004*W1680*H46mm
PPF	1000 Umol	1500 Umol	2000 Umol	2500 Umol
LED QTY	White LED: (576/pcs) Red LED: (108/pcs)	White LED: (864/pcs) Red LED: (162/pcs)	White LED: (1152/pcs) Red LED: (216/pcs)	White LED: (1440/pcs) Red LED: (270/pcs)
Power	1200W	1500W	1600W	
Model	BB-GKD-1200W-G3-D2	BB-GKD-1500W-G3-D2	BB-GKD-1600W-G3-D2	
Replacement	HPS 3600W	HPS 4500W	HPS 4800W	
Dimensions	L1004*W1680*H46mm	L1004*W2210*H46mm	L1004*W2210*H46mm	
PPF	3000 Umol	3750 Umol	4000 Umol	
LED QTY	White LED: (1728/pcs) Red LED: (324/pcs)	White LED: (2160/pcs) Red LED: (405/pcs)	White LED(2304/pcs) Red LED(432/pcs)	
PPE	2.5 Umol/J			
Spectrum	Full spectrum white light+660nm plant red light			
Mounting	Hanging Mounting; Mounting Height >6"(15.2cm)Above canopy			
Light Source	Samsung SMD LED			
Operation Temp	-40 to +45°C			
Life Span	50,000 hours at 25°C			
Voltage	100-277VAC/50-60Hz		200-480VAC/50-60Hz Available	
Driver	UL listed power supply			
Dimming	Dimmable			
Sensor	No sensor			
Surface Treatment	Al6063 surface anodizing treatment			
Material	Aluminum+PC			
Supplementation time	16-20H/day			
PF	>0.95			
Warranty	5Years			

### Ordering Information:

Area Series	Watts	Version	CCT	Voltage	Control	Installation	Dimming	Color
BB-GKD	400W 600W 800W 1000W 1500W 1600W	G3-D2	Full spectrum	Blank-100-277VAC HV-200-480VAC	Blank - Without control WT- WIFI timer	Lift on/off type	Blank-Dimming	Blank - black

Notes: For OEM&ODM orders, pls inquiry sales team.

## DETAILS

1. Top unique design 3.0/W conductivity, 2OZ copper thickness.
2. High efficiency white light Quantum Boards used top SMD LED.
3. White Light Full Spectrum for better results.
4. UL listed power supply, Safe and reliable, long life.
5. Perfect performance for veg and bloom.
6. Green, energy saving, long and reliable life of 50,000 hours.
7. No RF interference, No IR/UV radiation, no mercury pollution.
8. Better canopy light penetration with diffused light.
9. Environment friendly, energy saving (70~80%).
10. Special circuit design, each LED work separately, avoiding the single broken LED influence problem.



Dimmer Konb



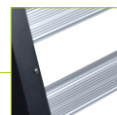
Hook Mounting for Chain



Full Spectrum White Light  
660nm Plant Red Light  
342pcs per bar



Rj11/ Rj12 Port



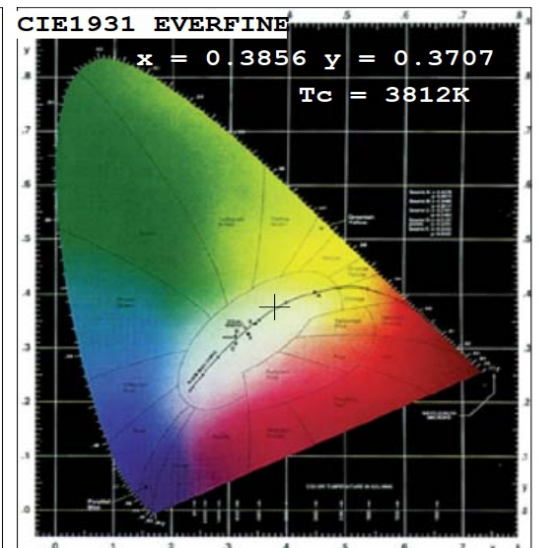
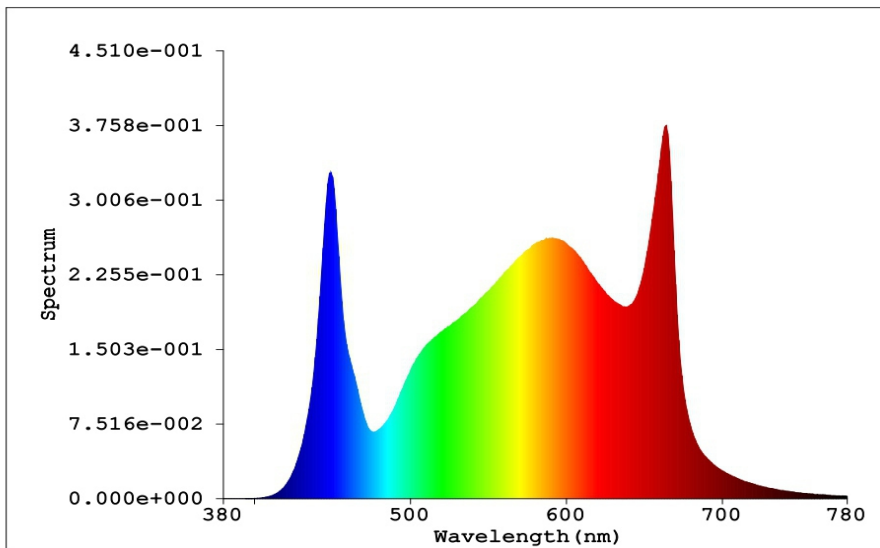
Pure Aluminum Heat Sink

## APPLICATION

- Greenhouse
- Farm
- Container Farm
- Hydroponic Growing
- Vertical Farm
- Mini Garden



## WAVELENGTH-SPECTRUM



## PROJECTS

Unused	LED Grow light	used
		
		
		

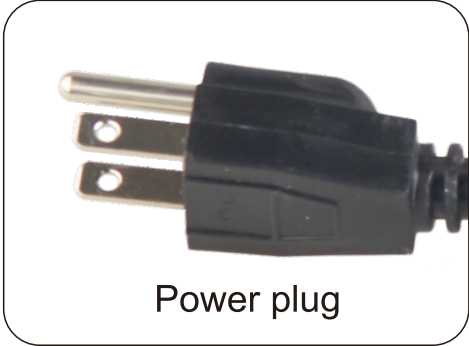
More  
Colorful

Promote  
Growth

Reduce  
Disease

1. The optimal full spectrum lighting which provides plants in all stages from veg to flower with everything they need in the natural sunlight. Very suitable for large planting areas, such as farms and VEG greenhouses.
2. Led grow lights use Independent detachable MEANWELL Driver Adjustable (100-277V). High Energy Efficiency with 2.5 umol/J, producing better canopy light penetration, with the power 70% lower than HPS or Blurple lamps, and the yield 70% higher.
3. Fanless and noiseless design will make your planting life easy and quiet.
4. New folding design for a fast installation. Low transportation cost.

Optional accessories



Power plug



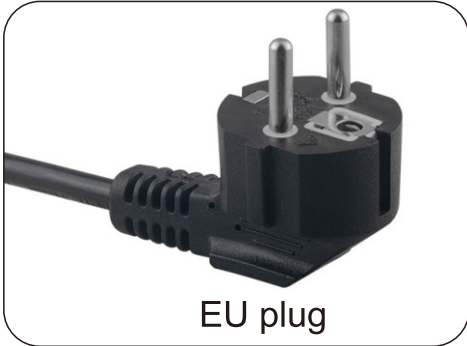
Waterproof connector



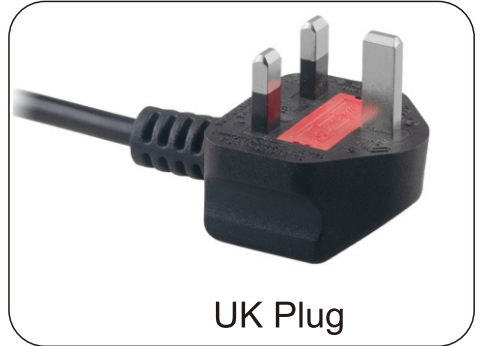
NEMA Plug



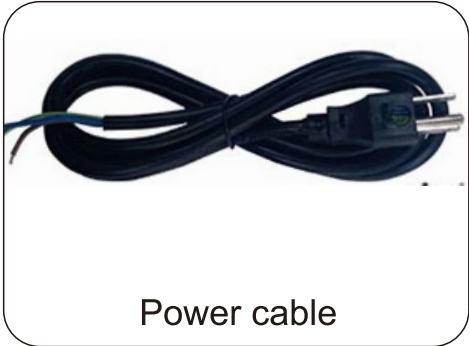
AU Plug



EU plug



UK Plug



Power cable



Adjustable



Intelligent control

The WIFI timer :



EU Standard



UK Standard



US Standard



AU Standard

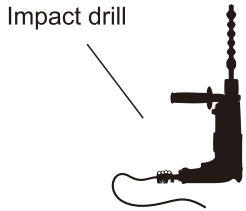
Notes:

The WIFI timer has US, EU, UK and Australian standards, and the timer is compatible with our lights and dimmer switches.

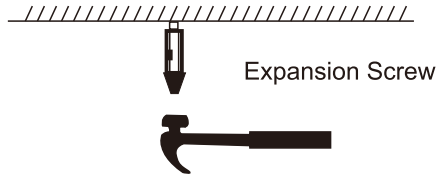
## INSTALLATION

### ■ Installation

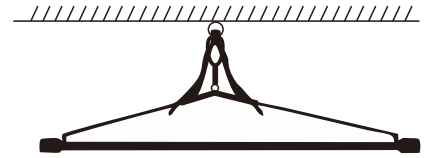
Light fasten and wire



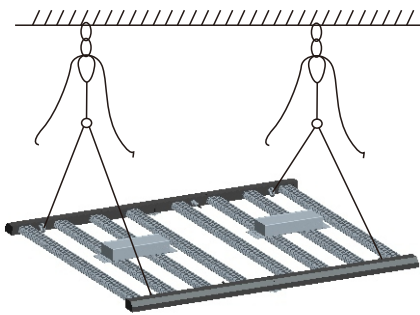
1. Drill holes in the ceiling.



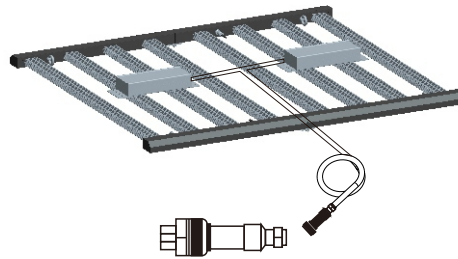
2. Place the expansion screw into the ceiling.



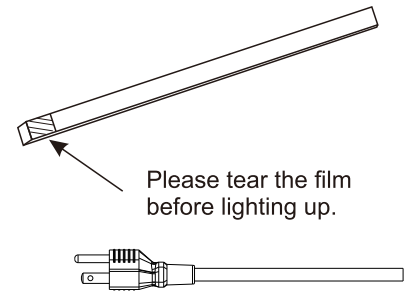
3. Install the lifting rope to the ceiling.



4. Hang the Light to the lifting rope.



5. Put the driver on the middle top of Light.  
Connect the plug between Light and driver, Notice: connector male plug arrow is aligned with the female plug arrow.



Input voltage:  
AC 100-277V

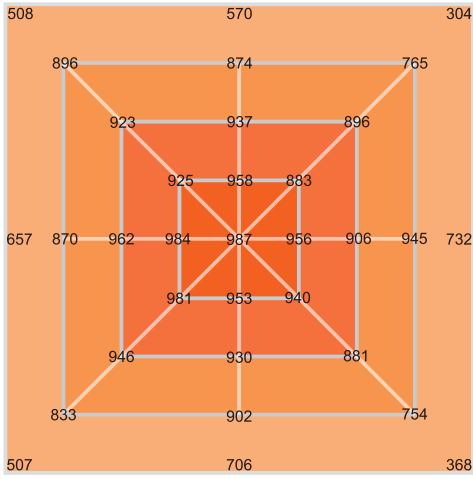
6. Connect the plug to the power source

## PACKING INFO

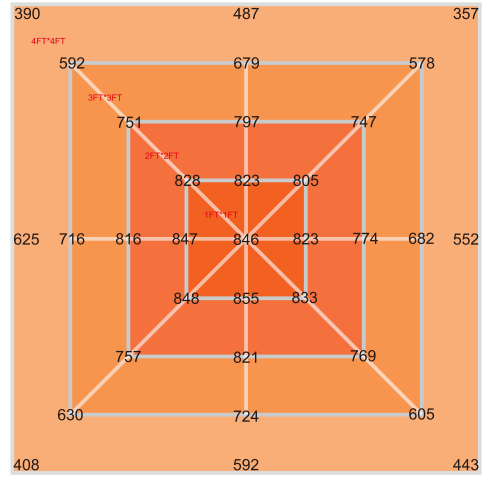
Model	Packaging	Carton Size(mm) (L*W*H)	N.W	G.W	Volume weight
400W	1pc/CTN	1056*620*120mm	9.0kg	11.5kg	13kg
600W	1pc/CTN	1056*920*130mm	13.5kg	17.0kg	21.5kg
800W	1pc/CTN	1160*1056*130mm	17.5kg	22.5kg	27kg
1000W	1pc/CTN	1320*1056*130mm	22.0kg	28.0kg	30.5kg
1200W	1pc/CTN	1480*1056*135mm	26.5kg	33.5kg	37kg
1500W/1600W	1pc/CTN	2285*1056*125mm	30.5kg	37.5kg	53kg

## PPFD DISTRIBUTION

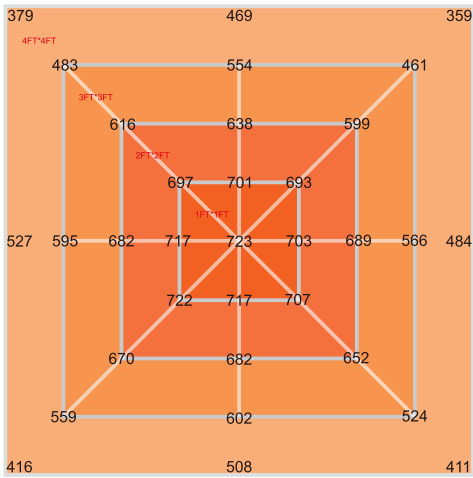
600W 8bar PPFD in 6 inch



600W 8bar PPFD in 12 inch



600W 8bar PPFD in 18inch



600W 8bar PPFD in 24 inch

