



LED Solar Area Light

BRIGHTEN YOUR LIFE

NEW LED TECHNOLOGY THAT ALLOWS THE
COEXISTENCE OF ENVIRONMENTAL
PROTECTION AND ENERGY SAVING

Benefits

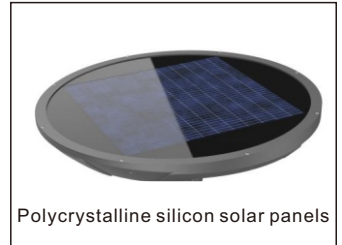
1. Replace conventional Area Lights
2. Precision Die Cast Aluminum Housing
3. Fade Resistant Powder Coat Finish
4. Easy Installation
5. CE ROHS listed



BB-SLD-XXX-AR-B4

Features

1. Beam angle:120 degrees.
2. Aluminum die-casting heat sinks is good for heat dissipation.
3. It's major to replace the conventiona area light.
4. Green, energy saving, long and reliable life of 50,000 hours.
5. No RF interference, No IR/UV radiation ,no mercury pollution.
6. Wide colour availability in degrees Kelvin(K),2700-6700K.
7. Streamline exterior design, beautiful appearance.
8. Environment friendly ,energy saving (70~80%).
9. Special circuit design, each LED work separately, avoiding the single broken LED influence problem.



Application

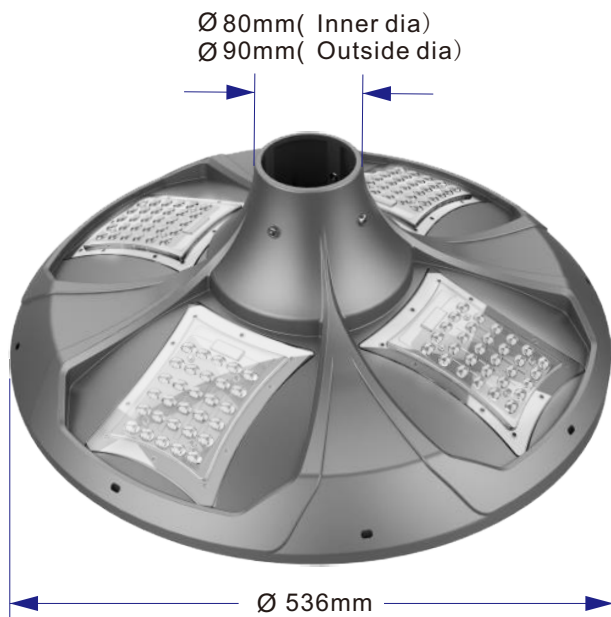
- 1.Area roadway/roadway lighting.
- 2.Parking areas lighting.
- 3.Airports lighting.
- 4.Streetscapes lighting.
- 5.Campuses lighting.



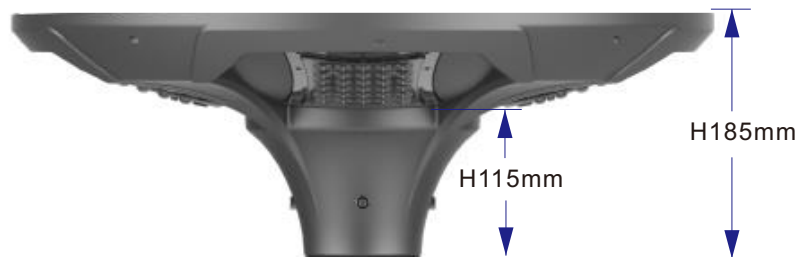
SPECIFICATIONS

LED MAX Power	20W	25W	40W
Model	BB-SLD-15W-AR-B4	BB-SLD-25W-AR-B4	BB-SLD-40W-AR-B4
Solar panel Max power	18V/27W	18V/30W	18V/45W
Luminous Flux	3000lm	3750lm	5000lm
Luminous Efficacy	150lm/w	150lm/w	120lm/w
Mounting Height	3-5m	3-5m	6-7m
Space Bettwen Light	10-15m	10-15m	15-20m
Solar Panel Dimension	Dia536*40mm		
Accessories	Optional: Anti-bird net		
Sensor	Default:PIR Sensor&Time Controller together.		
Controller	PWM controller, MPPT controller optional		
Battery	Ternary LiFePO4 Li-ion battery, Li-ion battery optional		
Discharge Time	More than 10-12hours		
Charge Time	6-7hours(with enough strong shine)		
Solar Cell	High efficiency imported silicon solar cell		
Light Source	SMD LED		
Operation Temp.	-40 to +45°C		
CCT	2700K SW / 3000K WW / 4100K NW / 5000K DW / 5700K CW		
Life Span	50,000 hours		
IP	65		
Beam Angle	120°		
Warranty	3Years		
Other	Mains complementary solar energy is avaiable,pls contact sales for this function price.		

DIMENSIONAL DRAWING



VERTICAL VIEW



FRONT VIEW

WORKING CHARACTERISTICS

Default setting as below :

Timmer Control & PIR Sensor Control

- 1.If with insufficient ambient light,sensored dark,lamp will on. First Time Phase 4 hours ,
When motion is detected,it will 100% brightness. When no motion detected after hold time 60s, and then switches to 30% brightness after stand-by period.
- 2.Second Time Phase 3 hours.When motion is detected,it will 70% brightness.
When no motion detected after hold time 60s,and then switches to 30% brightness after stand-by period.
- 3.Third Time Phase 3 hours.When motion is detected,it will 50% brightness.
When no motion detected after hold time 60s, and then switches to 30% brightness after stand-by period.
- 4.Forth Time Phase 6 hours.When motion is detected,it will 70% brightness.
When no motion detected after hold time 60s,and then switches to 30% brightness after stand-by period.
- 5.While sensed daytime,lamp will off.

Note : IoT Smart Control , MPPT Smart Control all available in 20w 25w 40w . If you need know more pls contact salesman.

PROJECTS

By using our 25W Area Light to replace 75W Metal Halide bulb for parking area lighting fixtures,the customer is now able to save a lot per month from his electric bill.



Replace

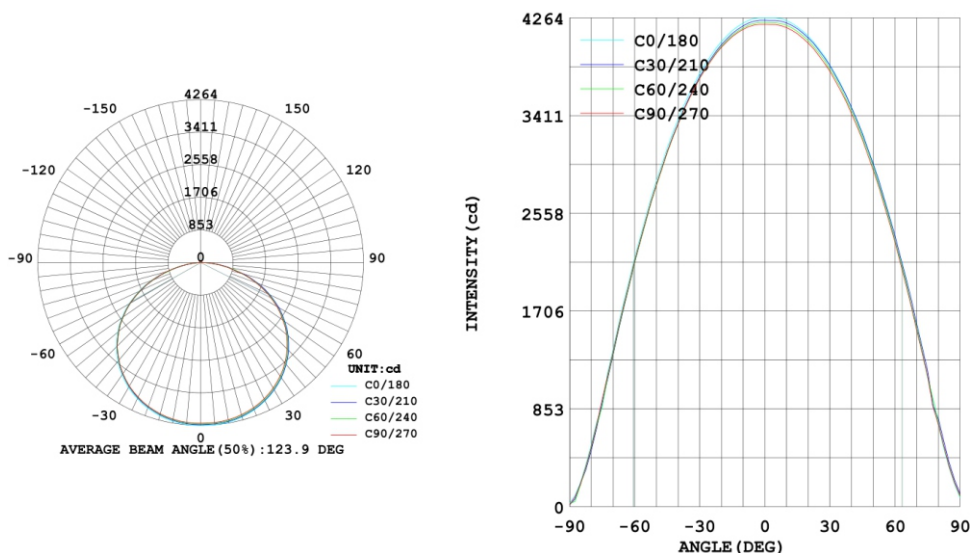


25W LED = 75W MH

Note :

- Don't take the LED lamp apart.
- The LED lamp must work under the right voltage according to the specification.

LUMINOUS INTENSITY DISTRIBUTION



INSTALLATION

Pole mounting(no wiring)



Step1: Turn off the power before installation.

Step2: Secure the Tenon Pole Adaptor and pole with 4 screws.

Step3: Check that all screws are not loose ,and then complete the pole mounting.

PACKING INFO



Item	Packaging	Carton Size(mm) (L*W*H)	N.W	G.W
20W/25W/40W	1pc/CTN	630*620*250mm	5.3kg	6.8kg