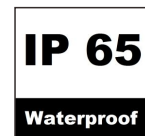
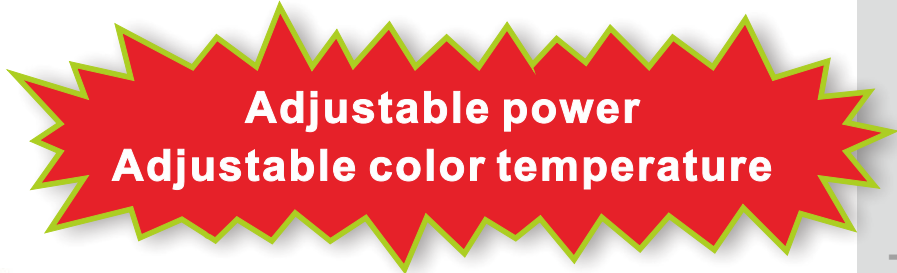


LED CANOPY LIGHT

POWER / COLOUR ALL IN ONE



KEY FEATURES

- 1.High efficiency UL Certification Driver.Separate design of the lamp driver, the driver module can be placed far away from the lamp body.
- 2.Imported original CREE XTE or Lumileds 3030 LED Chip.
- 3.Variety of mounting options.
- 4.The surface of lamp housing is anti-corrosion and electrophoresis processed.
- 5.Dust-proof,moisture proof and waterproof ,IP65 rated.
- 6.Excellent optics design,higher luminous efficiency.uniform light spot, high efficiency, low glare.
- 7.Compare to traditional lamps can save energy 70%-80%.
- 8.Easy & quick Installation.
- 9.Adjustable power 20W/30W/40W/60W;
60W/80W/100W/120W ,Adjustable color temperature all in one

2 > SPECIFICATIONS

Power	20W/30W/40W/60W 4in1	60W/80W/100W/120W 4in1
Model	BB-CSD-4IN1-C2A	BB-CSD-4IN1-C2B
Luminous Flux	20W=2600lm 30W=3900lm 40W=5200lm 60W=6900lm	60W=7800lm 80W=10400lm 100W=13000lm 120W=13800lm
Replacement	20W=HPS 60W 30W=HPS 100W 40W=HPS 150W 60W=HPS 200W	60W=HPS 200W 80W=HPS 250W 100W=HPS 300W 120W=HPS 350W
Cover	PC cover	
Light Source	SMD LED	
Luminous Efficacy	130lm/W (When the light power is turned on to the maximum, the light effect will be reduced to 115 lm/w)	
Operation Temp.	-40 to +45°C	
CCT	3000K/4000K/5000K All in one, Options:4000K/5000K/5700K	
CRI	>80	
With Sensor	Daily sensor	
Life Span	50,000 hours at 25°C	
Voltage	100-277VAC/50-60Hz 200-480VAC/50-60Hz available	
Driver	UL listed power supply	
Beam Angle	120°	
PF	>0.95	
IP	65	
Warranty	5 Years	

Ordering Information

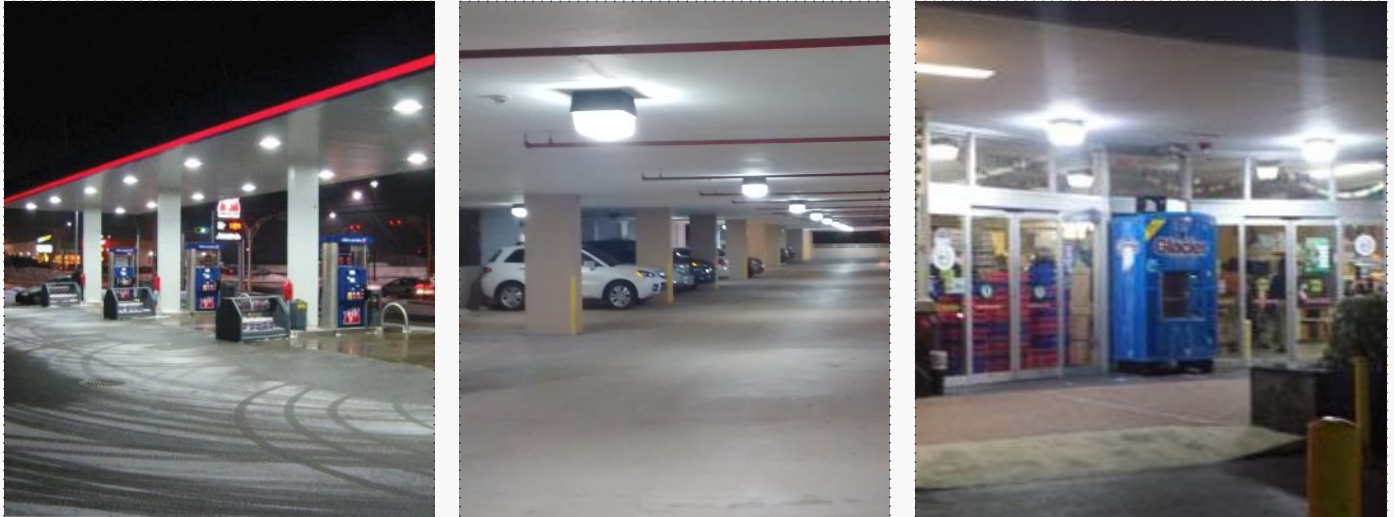
Area Series	Watts	Version	CCT	Voltage	Control	Cover	Color
BB-CSD	A=20/30/40/60W	4in1	Blank- 3000K 4000K 5000K Optional- 4000K 5000K 5700K	Blank-100-277VAC	Blank - Photocell Sensor MS - Motion Sensor	Blank- Right-angle PC cover P2-Flat PC cover	Blank - black
	B=60/80/100/120W			HV-200-480VAC			WH - white BR - bronze

Notes:

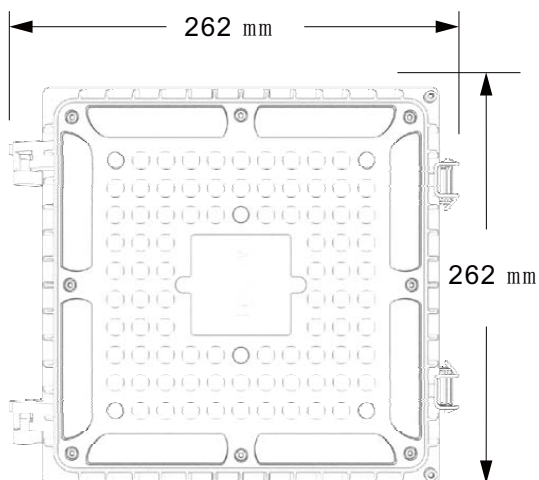
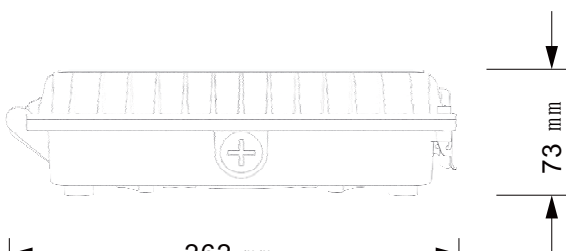
Special Order-Ask Customer Service

3 APPLICATION

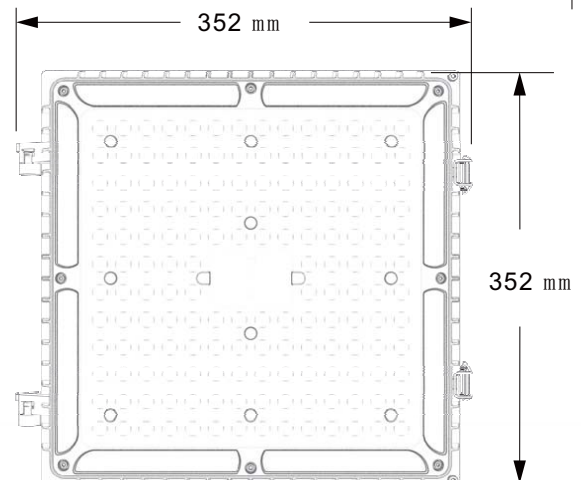
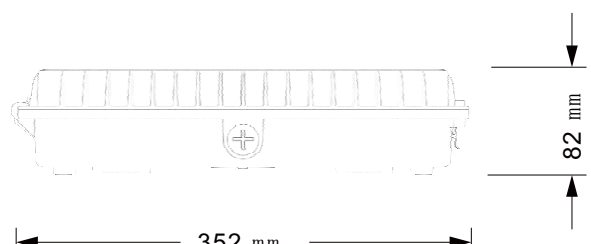
- 1. Gas station lighting.
- 2. Petroleum canopies lighting.
- 3. CNG fueling stations lighting.
- 4. Low-medium bay general lighting.
- 5. Soffits lighting.
- 6. Garage lighting.



4 SIZE



20/30/40/60W



60/80/100/120W

Adjustable power, Adjustable color temperature controller instructions (manual operation)

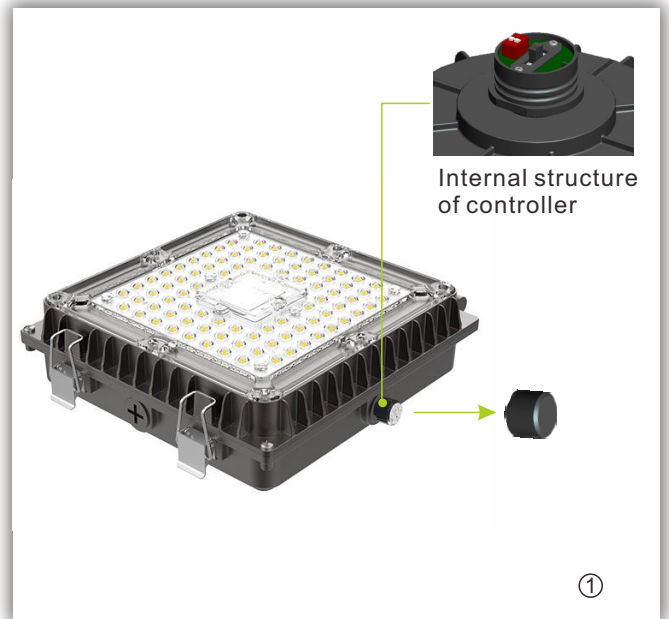


Adjustable power and color temperature module

- Pull out the controller cover firmly upwards. See picture 1
- Adjust the power in zone A and adjust the color temperature in zone B. The factory default power is 120W and the color temperature is 5000K. See picture 2.

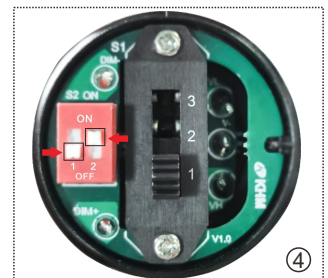
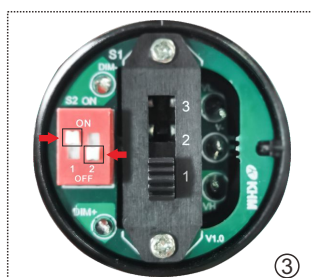
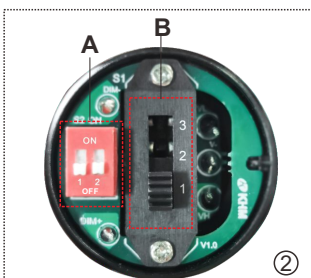
Comparison table for adjusting the power (zone A):

20W/30W/40W/60W		60W/80W/100W/120W	
20W=Pull A1 to OFF. Pull A2 to OFF. (picture 2.)	30W=Pull A1 to ON. Pull A2 to OFF. (picture 3.)	60W=Pull A1 to OFF. Pull A2 to OFF. (picture 2.)	80W=Pull A1 to ON. Pull A2 to OFF. (picture 3.)
40W=Pull A1 to OFF. Pull A2 to ON (picture 4.)	60W=Pull A1 to ON. Pull A2 to ON	100W=Pull A1 to OFF. Pull A2 to ON (picture 4.)	120W=Pull A1 to ON. Pull A2 to ON

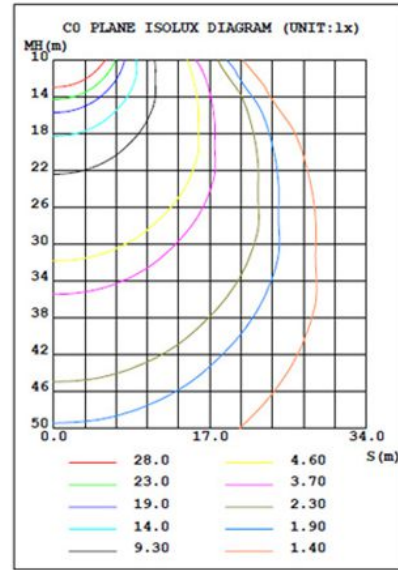
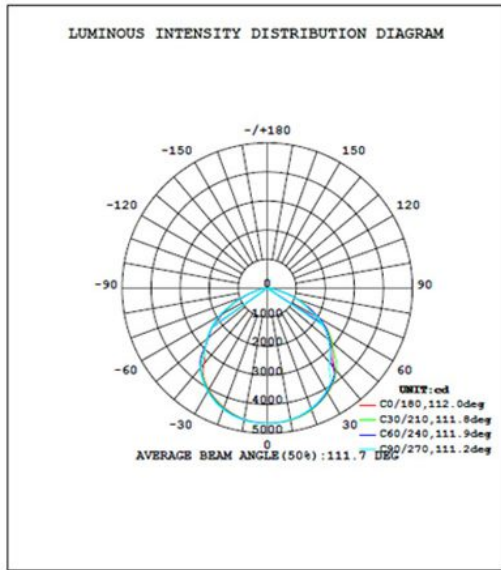


Instructions for adjusting the color temperature (zone B):

3 gears adjustment: B3=3000K, B2=4000K, B1=5000K.
The factory default is 5000K (B1). When adjusting the color temperature, just pull the button to the corresponding position.



5 IES TEST REPORT



6 PROJECTS

By using our 100W LED Light to replace 300W Metal Halide bulb for Gas Station lighting, the customer is now able to save a lot per month from his electric bill.



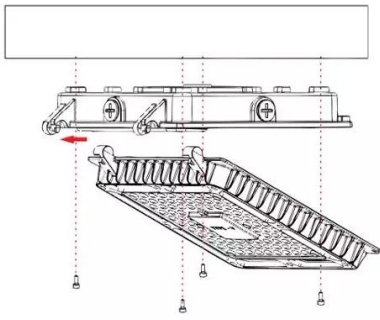
100W LED = 300W MH



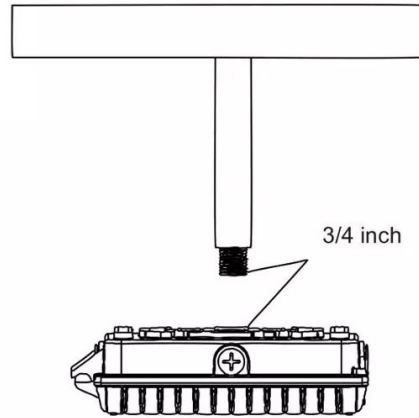
Note:

- Don't take the LED lamp apart.
- The LED lamp must work under the right voltage according to the specification.

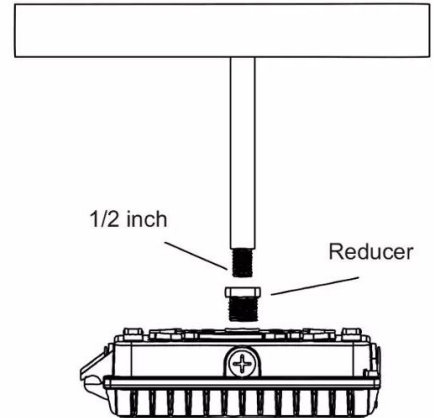
7 > INSTALLATION



Surface Mount



Pendant Mount



Please also make sure the wire connection is fixed perfectly before using.

- This product should be installed by a fully certified electrician in accordance with local building and electrical codes.
- Due to risk of electric shock, ensure that the main power source and circuit breakers are switched off before performing any installation or wiring procedures.
- Failure to properly support the fixture during installation may cause damage or injury, for which the manufacturer is not responsible. Ensure the light hook is securely mounted and will support the weight of the fixture.
- Disconnect product and allow cooling prior to any further steps.
- Please read the instruction manual before installation and keep it for future reference.

8 > PACKING INFO

Model	Packaging	Carton Size(mm) (L*W*H)	N.W	G.W
20W/30W/40W/60W	1pc/CTN	280*280*95mm	1.2kg	1.5kg
60W/80W/100W/120W	1pc/CTN	380*380*102mm	2kg	2.3kg