

LED STADIUM LIGHT

BRIGHTEN YOUR LIFE

NEW LED TECHNOLOGY THAT ALLOWS THE
COEXISTENCE OF ENVIRONMENTAL
PROTECTION AND ENERGY SAVING



1 > KEY FEATURES

- 1.High efficiency UL Certification Driver.
- 2.Imported original CREE XTE or Lumileds 3030 LED Chip.
- 3.Flexible adjustment of the angle, can be precisely adjusted to the point, improve the site lighting parameter index
- 4.The surface of lamp housing is anti-corrosion and electrophoresis processed,can be used at seaside.
- 5.Dust-proof,moisture proof and waterproof ,IP66 rated.
- 6.Excellent optics design,higher luminous efficiency.TIR lens design, uniform light spot, high efficiency, low glare, and far projection:
- 7.Compare to traditional lamps can save energy 70%-80%.
- 8.Various intelligent control methods such as DALI, DMX, etc., can flexibly control lighting fixtures.



BB-LD-XXXW-Q16

2 > PERFORMANCE DATA

Power	100W	200W	300W	400W
Model	BB-LD-100W-Q16	BB-LD-200W-Q16	BB-LD-300W-Q16	BB-LD-400W-Q16
Luminous Flux	13000lm	26000lm	39000lm	52000lm
Replacement	HPS 300W	HPS 600W	HPS 900W	HPS 1200W
Dimension(mm)	L395*W245*H57	L363*W442*H60	L395*W495*H60	L395*W585*H60
Net weight	4kg	4.6kg	5.4kg	6.6kg
Beam Angle	30°;60°;90°			
Materials	Aluminum alloy+PC lens			
Luminous Efficacy	130lm/W (Available 150lm/W)			
Operation Temp	-40 to +45 C°			
CCT	2700K SW / 3000K WW / 4100K NW / 5000K DW / 5700K CW / 6500K SCW			
CRI	80+			
Life Span	50,000 hours at 25 C°			
Voltage	100-277VAC/50-60Hz,200-480VAC/50-60Hz			
Driver	UL listed power supply			
Dimming	Available			
Sensor	Available			
Control System	APP,remote control,touch screen,light control and other control options available			
Cover	Glass ;Available PC lens			
Luminous Source	3030 SMD LED			
IP rating	Ip66			
PF	≥0.95			
Warranty	5 Years			

Ordering Information:

Area Series	Watts	Version	CCT	Voltage	Control	Laser locator	Dimming	Color
BB-LD	100W 200W 300W 400W	Q16	2700K SW 3000K WW 4100K NW 5000K DW 5700K CW 6500K SCW	Blank-100-277VAC HV-200-480VAC	Blank - Without control Available- APP control Remote control Touch screen	Blank- NO Available- With laser locator	Blank-NO Available- Dimmable	Blank-Silver

Notes: For OEM&ODM orders, pls inquiry sales team.

3 > APPLICATION

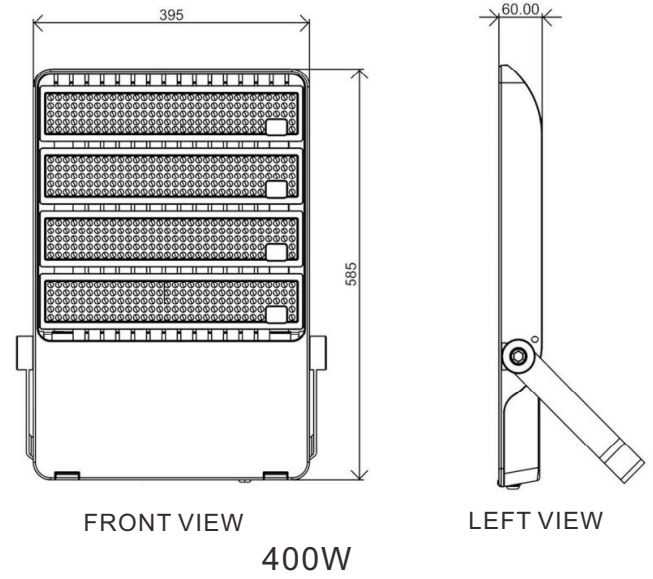
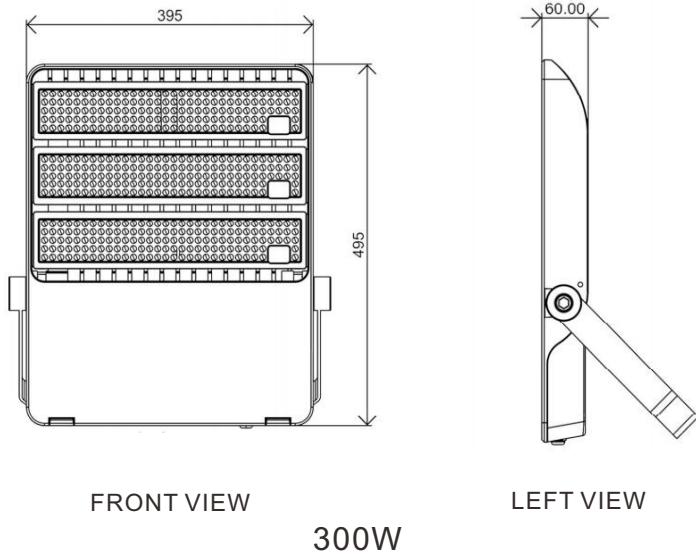
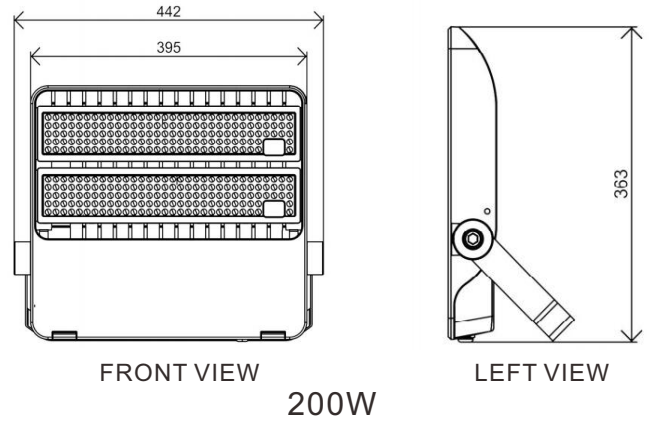
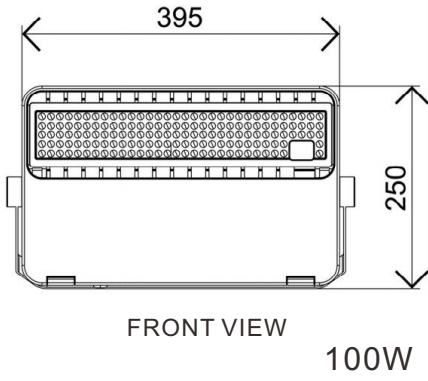
It can be widely used in stadiums, football fields, airports, squares, playgrounds, construction sites, buildings, etc

- 1. Stadium Lighting
- 2. Parking lot Lighting
- 3. Industrial Lighting
- 4. Port wharf Lighting
- 5. Roadway Lighting

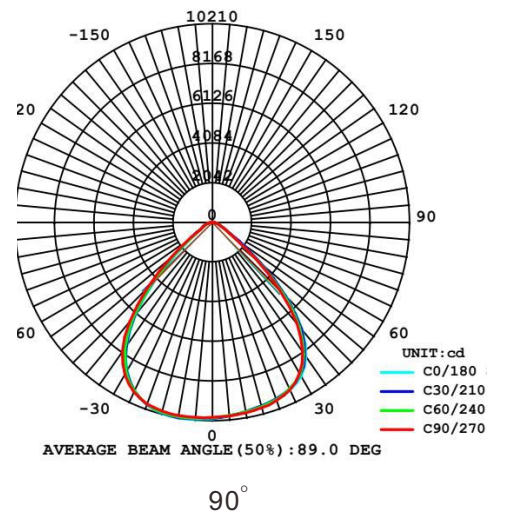
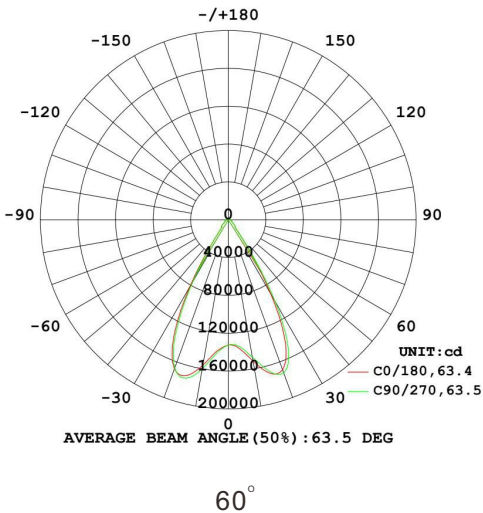
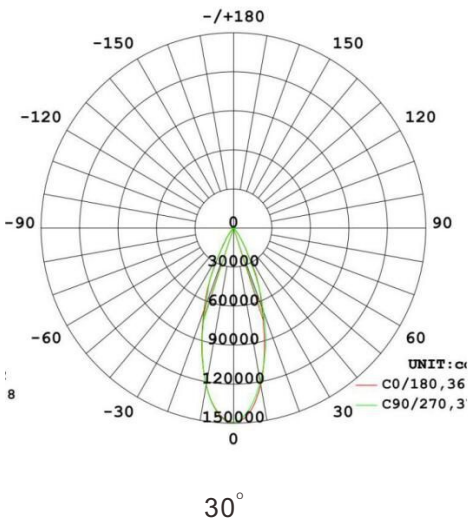


4 DIMENSION FIGURE

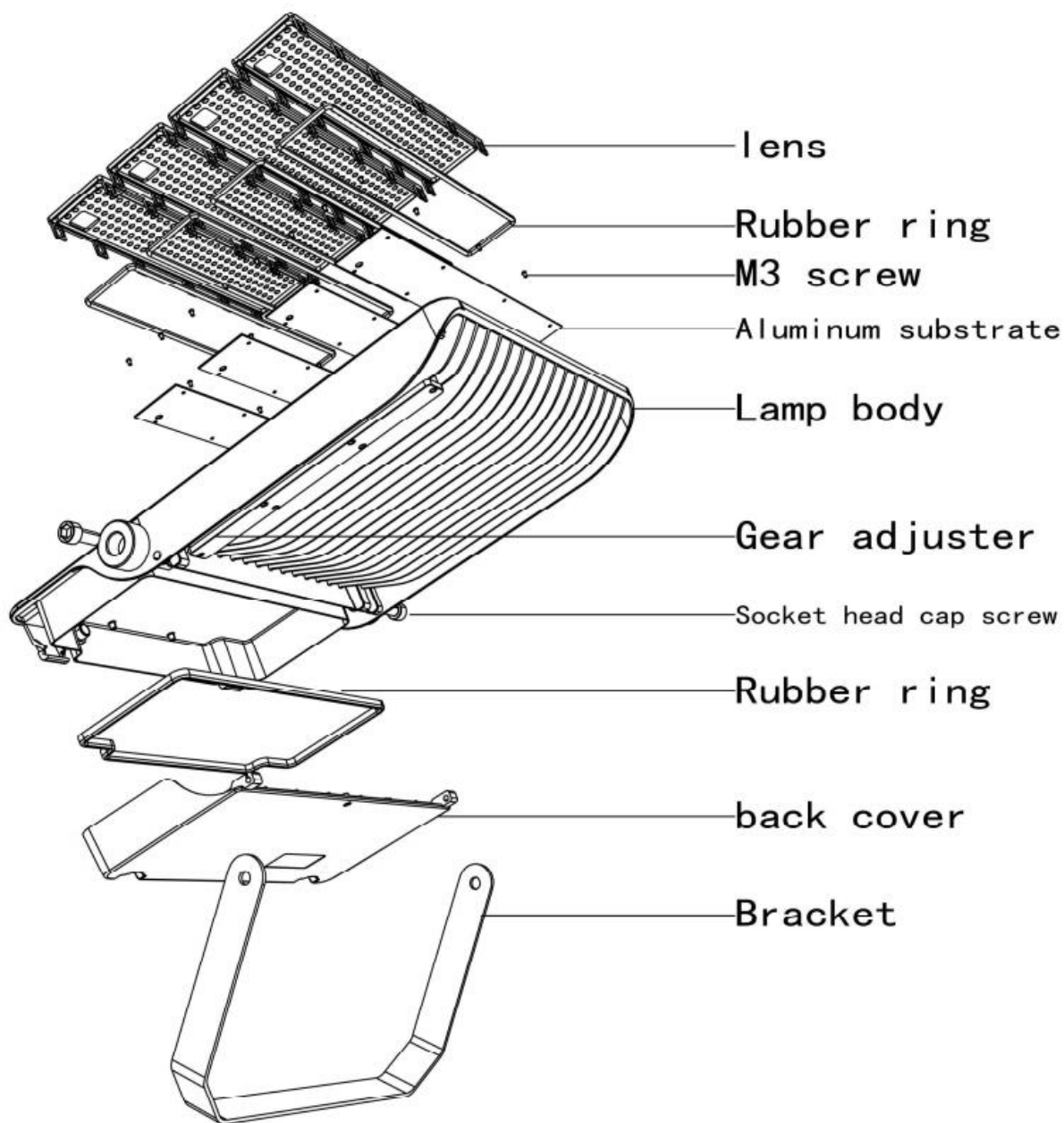
Unit:mm



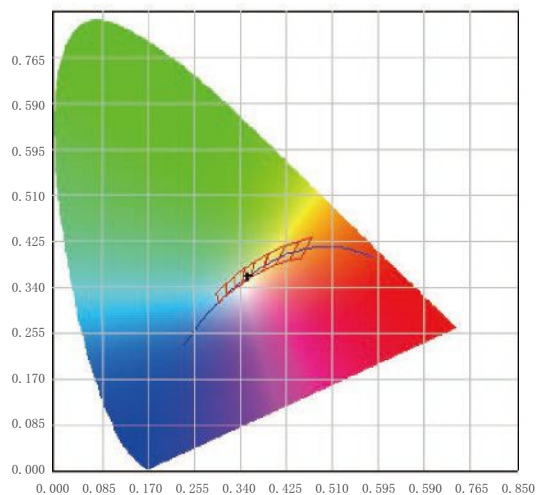
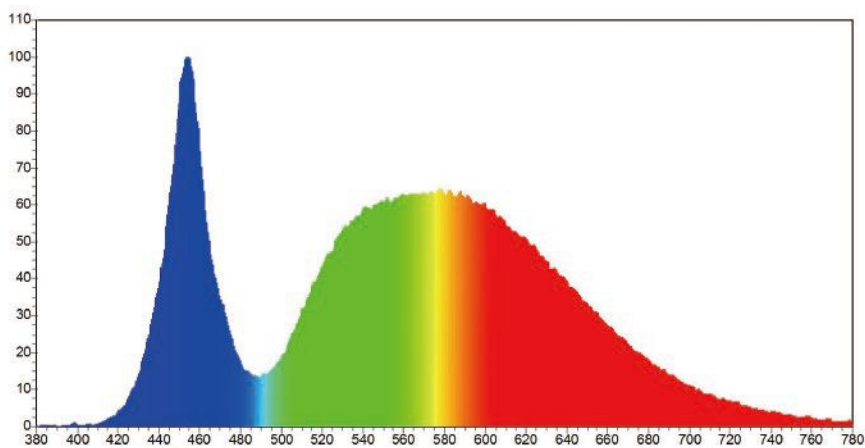
5 LUMINOUS INTENSITY DISTRIBUTION

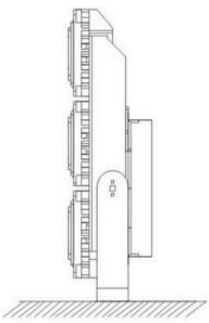


EXPLOSIVE VIEW

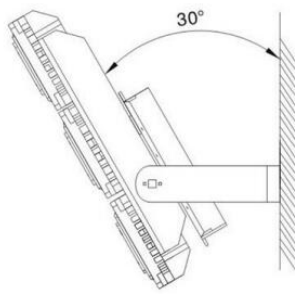


● Spectrum Diagram

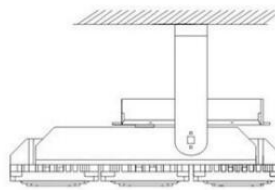




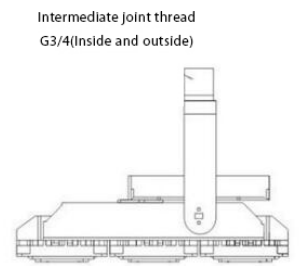
1. Floor Installation



2. Wall Mounted Installation



3. Surface Mounted Installation



4. Bracket pole hang Installation

Wiring

- Connect the black fixture lead to the (+) LINE supply lead.
- Connect the white fixture lead to the (-) COMMON supply lead.
- Connect the green Ground wire from fixture to supply ground.



7 > PROJECTS

By using our 200W LED Light to replace 600W Metal Halide bulb for stadium lighting, the customer is now able to save a lot per month from his electric bill.



Replace

200W LED = 600W MH



Note :

- Don't take the LED lamp apart.
- The LED lamp must work under the right voltage according to the specification.

8 > PACKING INFO

Model	Packaging	Carton Size(mm) (L*W*H)	N.W	G.W
100W	1pc/CTN	450*340*80mm	4kg	4.6kg
200W	1pc/CTN	450*420*80mm	4.6kg	5.2kg
300W	1pc/CTN	450*560*80mm	5.4kg	6.1kg
400W	1pc/CTN	450*640*80mm	6.6kg	7.3kg