



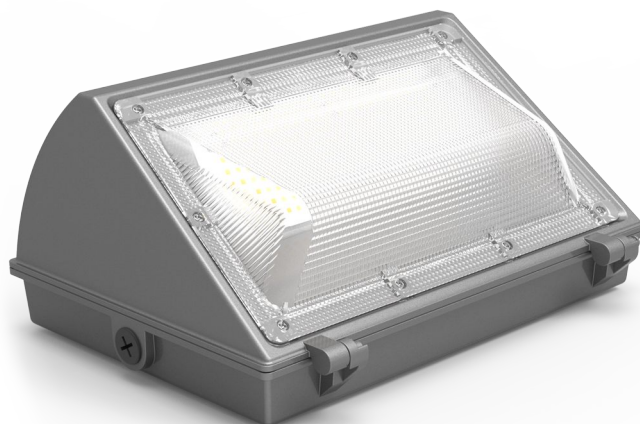
LED Wallpack Light

BRIGHTEN YOUR LIFE

NEW LED TECHNOLOGY THAT ALLOWS THE
COEXISTENCE OF ENVIRONMENTAL
PROTECTION AND ENERGY SAVING

BENEFITS

1. Replace conventional Lights
2. Precision De Cast Aluminum Housing
3. Durable Chip and Fade Resistant Powder Coat Finish
4. Easy Installation
5. ETL CETL CE ROHS listed



BB-RSD-XXX-B4

FEATURES

1. Beam angle:120 degrees.
2. Aluminum die-casting heat sinks is good for heat dissipation.
3. It's major to replace the CFL/MH/HID/HPS.
4. Green, energy saving, long and reliable life of 50,000 hours.
5. No RF interference, No IR/UV radiation ,no mercury pollution.
6. Wide colour availability in degrees Kelvin(K),2700-6700K.
7. Streamline exterior design, beautiful appearance.
8. Environment friendly ,energy saving (70~80%).
9. Special circuit design, each LED work separately, avoiding the single broken LED influence problem.



APPLICATION

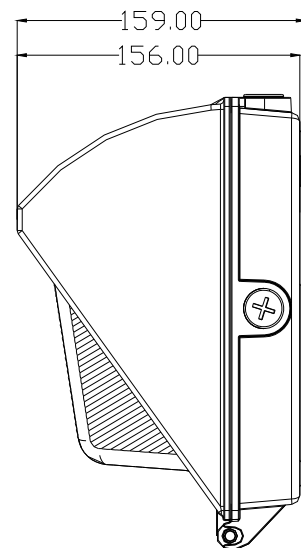
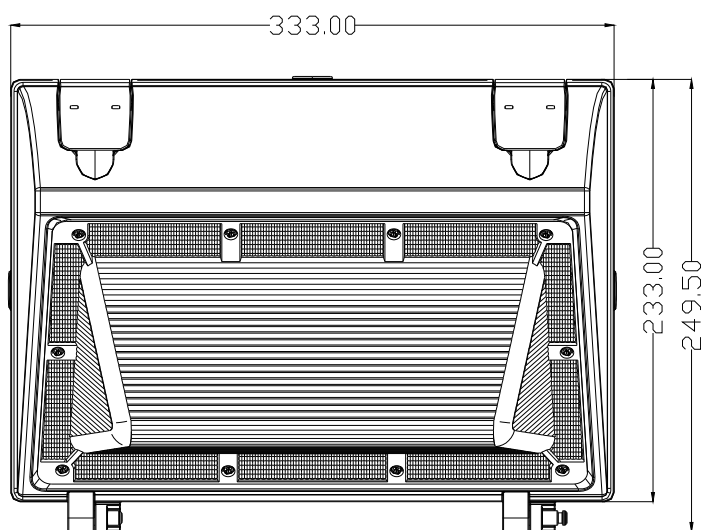
1. Parking lot Lighting.
2. Garden yard Lighting.
3. Outdoor Building Lighting.
4. High/Low Bay Lighting.



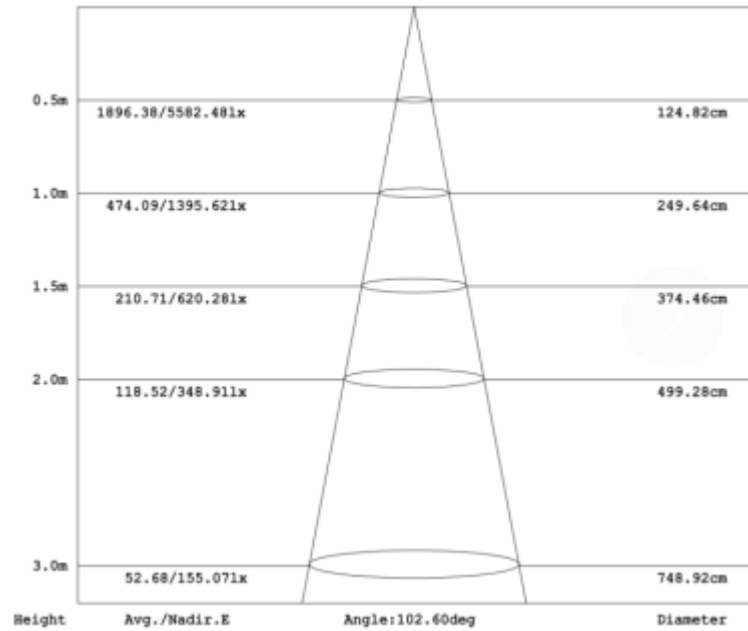
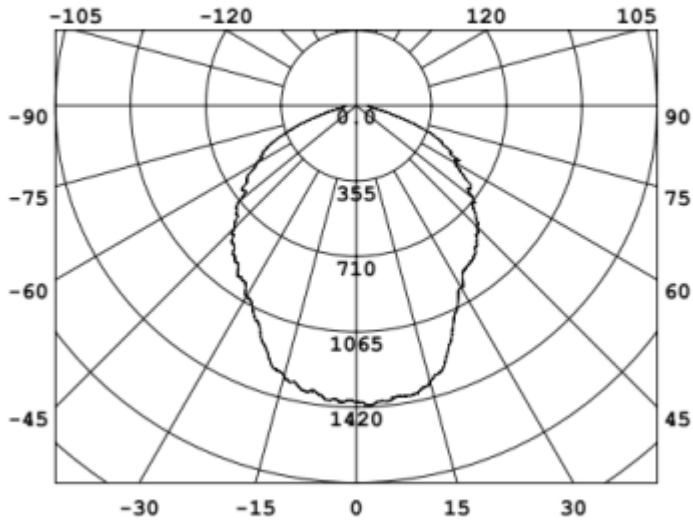
SPECIFICATIONS

Power	45W	60W	80W	100W	120W	140W
Model	BB-RSD-45-B4	BB-RSD-60-B4	BB-RSD-80-B4	BB-RSD-100-B4	BB-RSD-120-B4	BB-RSD-140-B4
Luminous Flux	4950lm	6600lm	8800lm	11000lm	13200lm	15400lm
Replacement	HPS 150W	HPS 250W	HPS 300W	HPS 400W	HPS 400W	HPS 600W
Dimensions	333x159x250mm					
Light Source	SMD LED					
Luminous Efficacy	>110lm/w					
Operation Temp.	-40 to +45°C					
CCT	3000K WW / 4100K NW / 5000K DW / 5700K CW					
CRI	85					
Life Span	50,000 hours at 25°C					
Voltage	100-277VAC/50-60HZ 200-480VAC available					
Driver	UL Power Supply					
Dimming	NO					
Beam Angle	120°					
PF	>0.95					
Warranty	5Years					

DIMENSIONAL DRAWING



LUMINOUS INTENSITY DISTRIBUTION

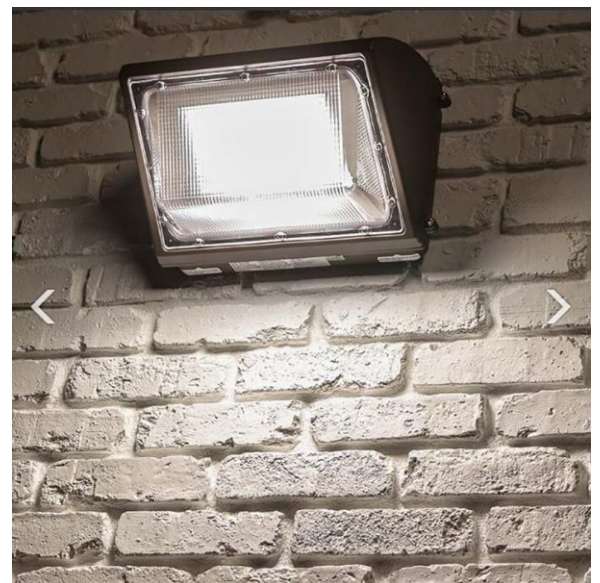


PROJECTS

By using our 100W led dust to dawn light replace 400W MH/HPS/HID/LPS ect traditional lamp fixture for street light , customer is now able to save a lot per month from his electric bill



100WLED= 400W HPS



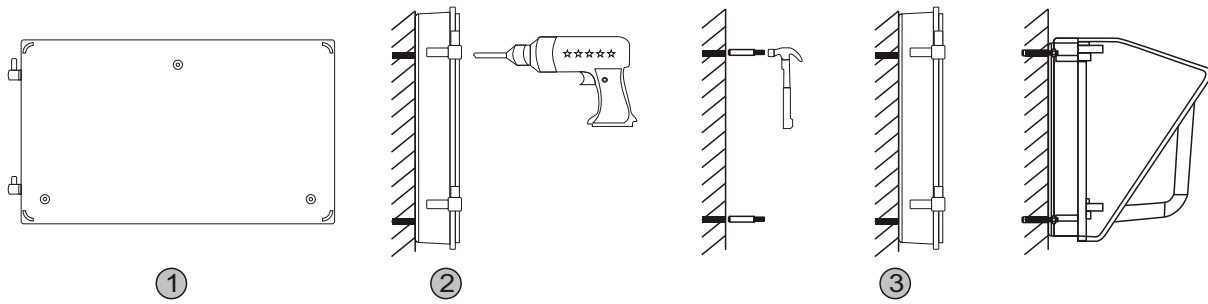
Note:

- Don't take the LED lamp apart.
- The LED lamp must work under the right voltage according to the specification.

INSTALLATION

* Install height from floor higher than 1.2m.

Installation1

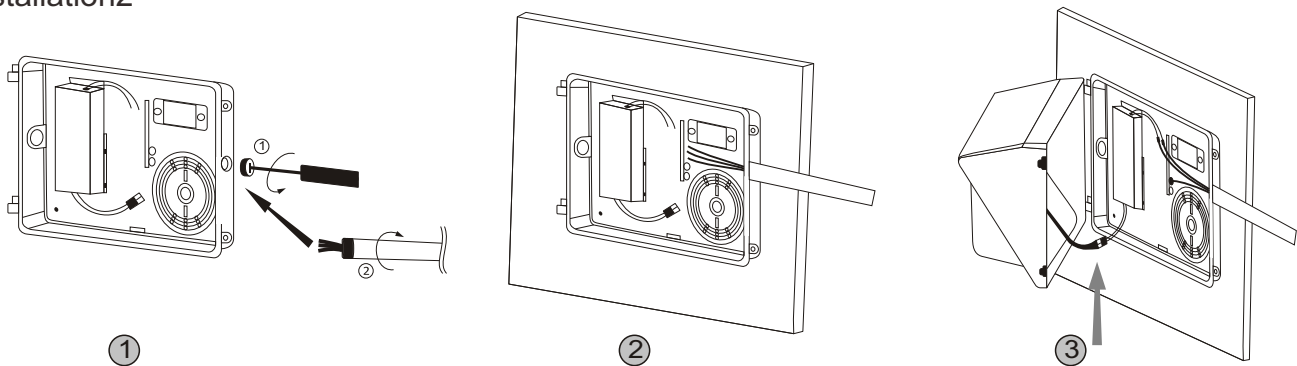


Step1. Take apart the PC cover and fixture housing.

Step2. Put the fixture on the wall, drill 3 holes to get through the.

Step3. Get expansion screws into the holes, match the fixture to the bolts, then fix the fixture on the wall by screws lastly get the PC cover and fixture housing back together.

Installation2



Step1. Loosen screws and remove the front lens set carefully from the back plate.

Step2. Remove 1/2" plug from where you intend to feed conduit.

Step3. Drilling out the holes (C) to secure it on the wall with choosing proper screws.

Step4. Finish wiring (Black for line, White for neutral and Green/Yellow Green for ground).

Step5. Replace the lens set on the hinge and finish connection, Close the lens set and tighten the screws to fasten the lens set to the back plate.

PACKING INFO



Item	Packaging unit	Carton Size(mm) (L*W*H)	N.W	G.W
45W-140W	1pc/CTN	380*270*205	2.9kg	3.6kg