



UFO LED Highbay Light

BRIGHTEN YOUR LIFE

NEW LED TECHNOLOGY THAT ALLOWS THE
COEXISTENCE OF ENVIRONMENTAL
PROTECTION AND ENERGY SAVING

Benefits

1. Replace conventional Highbay Lights
2. Precision Die Cast Aluminum Housing
3. Fade Resistant Powder Coat Finish
4. Easy Installation
5. CE ROHS listed



BB-GKD-XXX-E

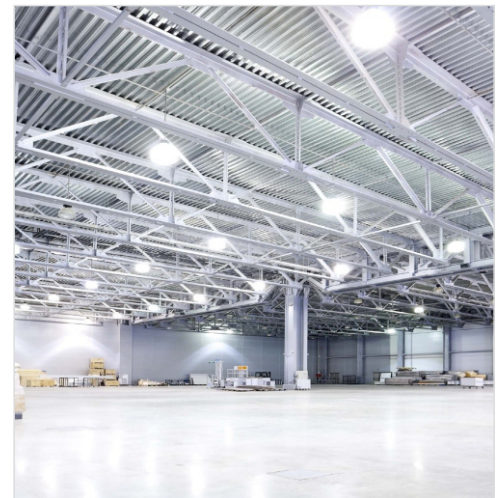
Features

1. Beam angle:60 90 120 degrees.
2. Aluminum die-casting heat sinks is good for heat dissipation.
3. It's major to replace the conventiona highbay light.
4. Green, energy saving, long and reliable life of 50,000 hours.
5. No RF interference, No IR/UV radiation ,no mercury pollution.
6. Wide colour availability in degrees Kelvin(K),2700-6700K.
7. Streamline exterior design, beautiful appearance.
8. Environment friendly ,energy saving (70~80%).
9. Special circuit design, each LED work separately, avoiding the single broken LED influence problem.



Application

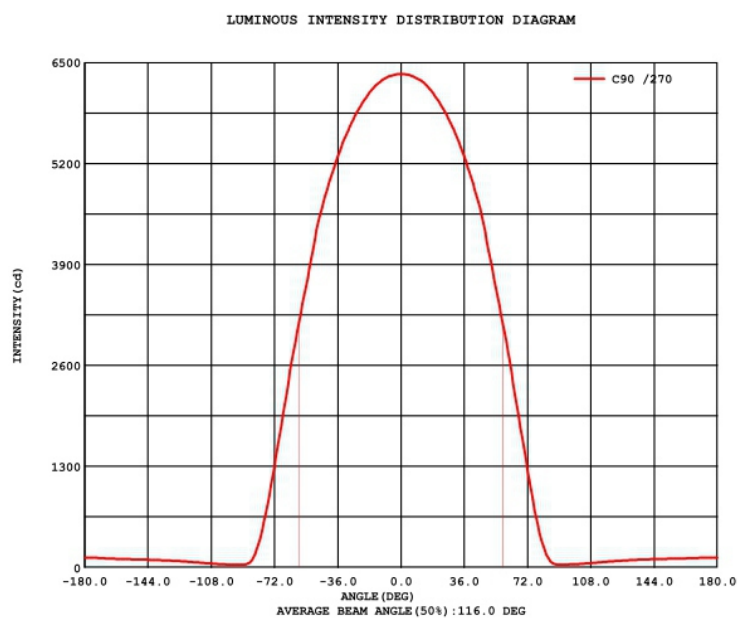
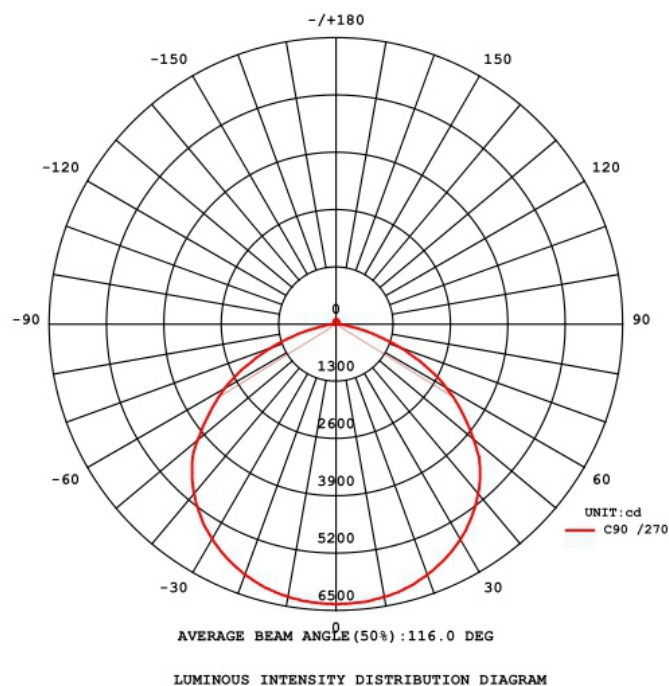
1. Parking areas Lighting.
2. Ceiling Lighting.
3. Warehouse Lighting.
4. High/Low Bay Lighting.



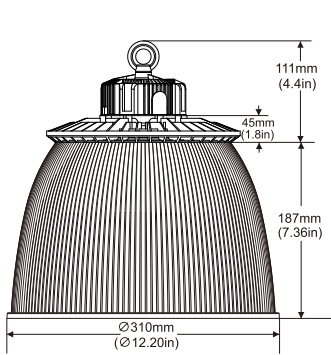
SPECIFICATIONS

Power	60W	100W	150W	200W	240W	300W	400W
Model	BB-GKD-60W-E	BB-GKD-100W-E	BB-GKD-150W-E	BB-GKD-200W-E	BB-GKD-240W-E	BB-GKD-300W-E	BB-GKD-400W-E
Luminous Flux	7800lm	13000lm	19500lm	26000lm	31200lm	39000lm	52000lm
Replacement	HPS 200W	HPS 300W	HPS 400W	HPS 600W	HPS 800W	HPS 1000W	HPS 1200W
Bracket	Ring						
Light Source	LUMILED 3030 SMD LED						
Luminous Efficacy	130lm/W						
Operation Temp.	-40 to +45°C						
CCT	2700K SW / 3000K WW / 4100K NW / 5000K DW / 5700K CW /6500W SCW						
CRI	85						
Life Span	50,000 hours at 25°C						
Voltage	100-277VAC/50-60HZ						
Driver	UL listed power supply						
Dimming	Available						
Sensor	Microwave sensor Daily sensor available						
Control System	APP, remote control, touch screen, light control and other control options available						
Beam Angle	60° 90° 120°						
Cover	Options: Transparent cover, Milky cover, Frosted cover.						
IP	65						
PF	>0.95						
Warranty	5Years						

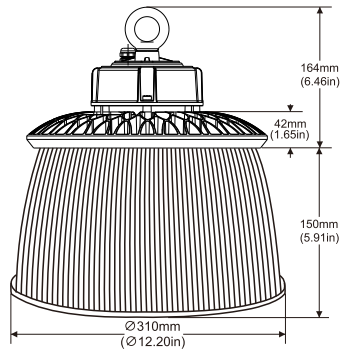
LUMINOUS INTENSITY DISTRIBUTION



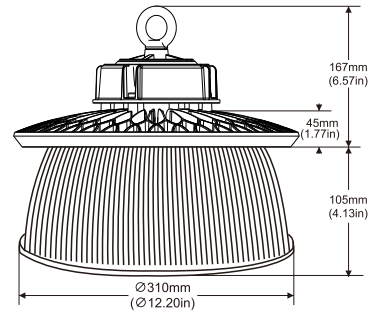
DIMENSIONAL DRAWING



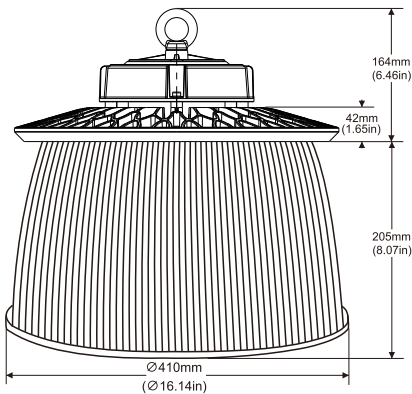
BB-GKD-60W-E



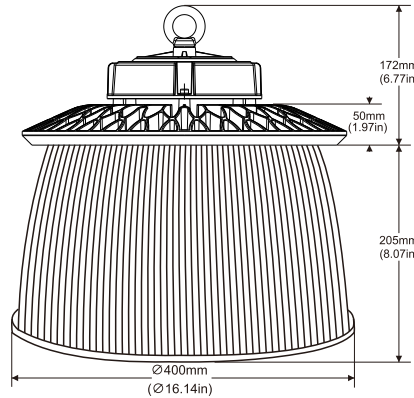
BB-GKD-100W-E



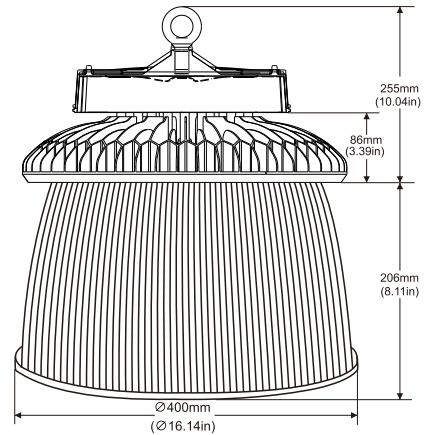
BB-GKD-150W-E



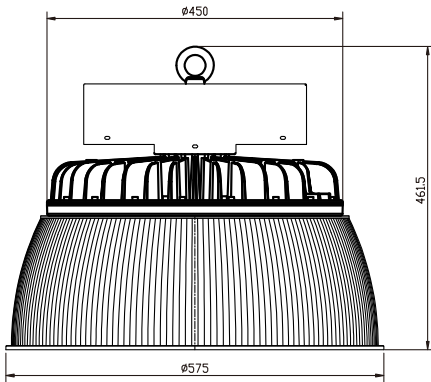
BB-GKD-200W-E



BB-GKD-240W-E



BB-GKD-300W-E



BB-GKD-400W-E

PROJECTS

By using our 300W Highbay Light to replace 1000W Metal Halide bulb for warehouse high bay lighting fixtures, the customer is now able to save a lot per month from his electric bill.



Replace



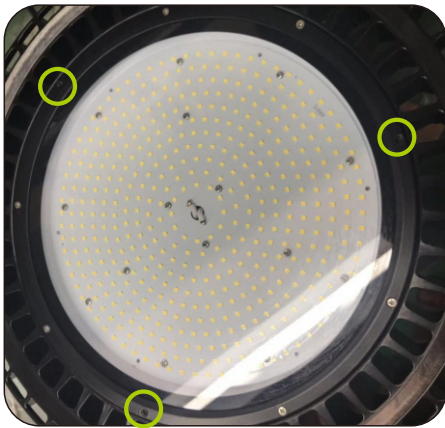
300W LED = 1000W MH

Note :

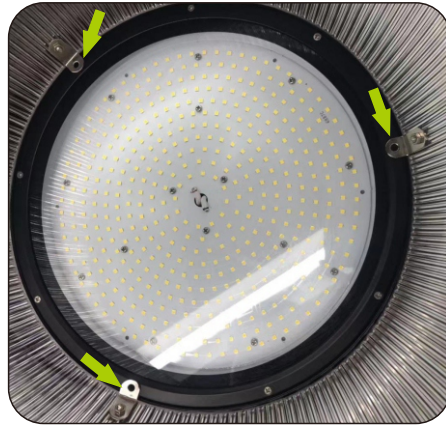
- Don't take the LED lamp apart.
- The LED lamp must work under the right voltage according to the specification.

INSTALLATION

Assembling the cover



Picture1



Picture2



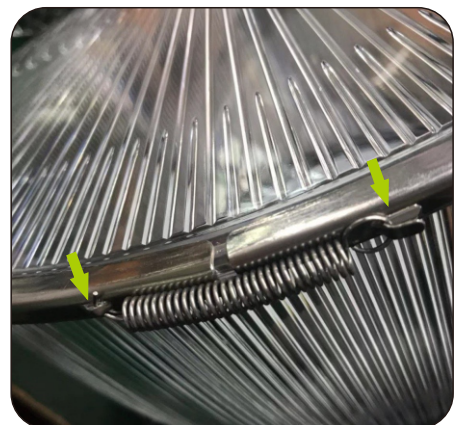
Picture3



Picture4



Picture5



Picture6

Assembly cover steps:

1. Remove the three screws on the lamp, as shown in Picture 1.
2. Align the cover with the hole on the lamp, as shown in Picture 2.
3. Reinstall the three screws that have just been removed, as shown in Picture 3.
4. Cover the bottom cover and circle it with an annular ring, as shown in Picture 4.
5. Hang one end of the spring as shown in Picture 5.
6. Hang the other end of the spring as shown in Picture 6. Complete the assembly.

Installation

UFO LED Highbay Light has two kinds of installation(Customers can choose to install according to need):



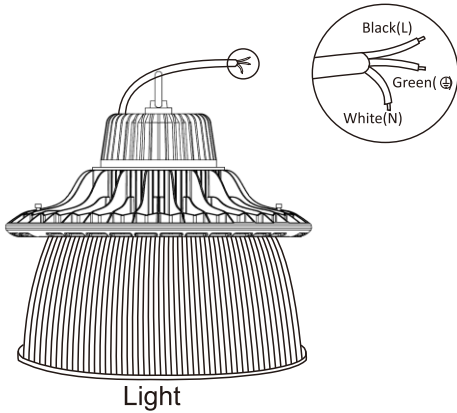
1.The suspension loop



2.Suspension chain

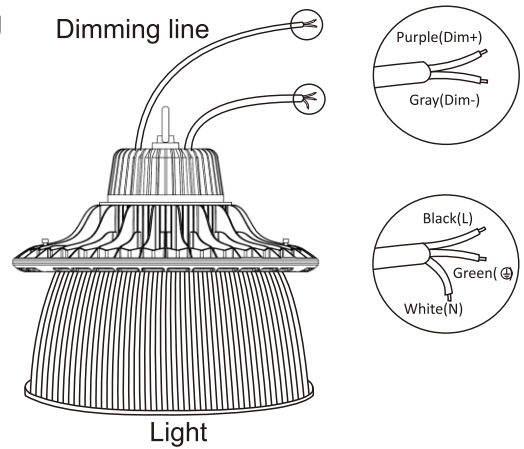
Wiring

Standard



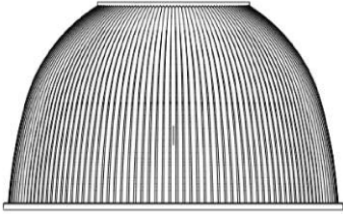
- Step1: Turn off the power before installation.
- Step2: Wiring right, "Black" is connected to "L", "White" connect to "N", "Green" to "Ground".

Dimming

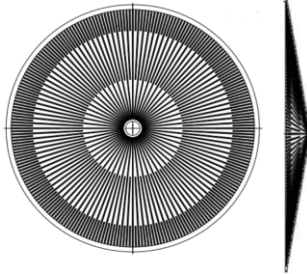


- Step1: Turn off the power before installation.
- Step2: Wiring right, "Black" is connected to "L", "White" connect to "N", "Green" to "Ground". The lamp also have dimming line, we should connect "Purple" to "Dim+", "Gray" to "Dim-".

PC Cover



PC Cover



Conical Bottom Lens



Prismatic Drop Bottom Lens



UFO with PC Cover

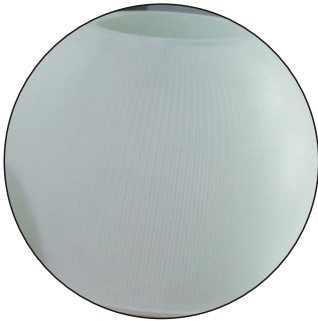


UFO with PC Cover & Conical Bottom Lens

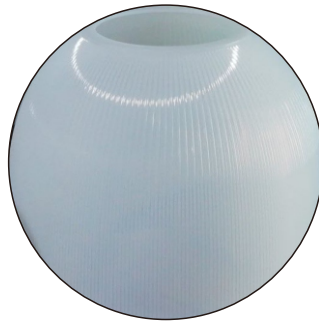


UFO with PC Cover & Prismatic Drop Bottom Lens

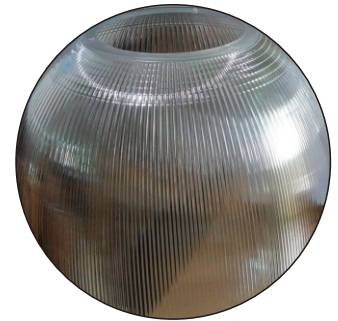
Three colors of the PC cover: Clear, Frosted, Milky. (The standard is Clear PC cover)



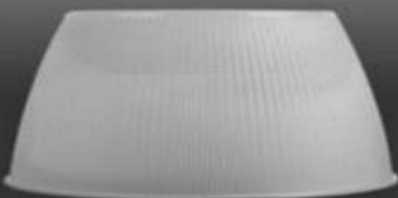
Milky reflector



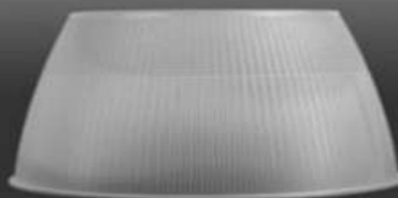
Frosted reflector



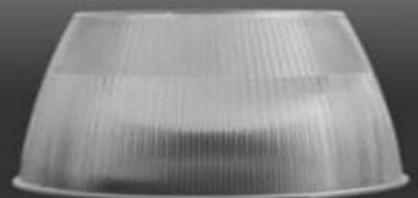
Clear reflector



Milky reflector



Frosted reflector



Clear reflector

PACKING INFO



Type	Packaging	Carton Size(mm) (L*W*H)	N.W	G.W	Volume weight
Lamp	1pc/CTN	440*440*240mm	7.5kg	8.8kg	11.0kg
PC Cover	11-12pcs/CTN	430*430*460mm	6.5kg	7.5kg	20.0kg
Conical Bottom Lens	25pcs/CTN	430*430*150mm	8.5kg	9.5kg	9.6kg