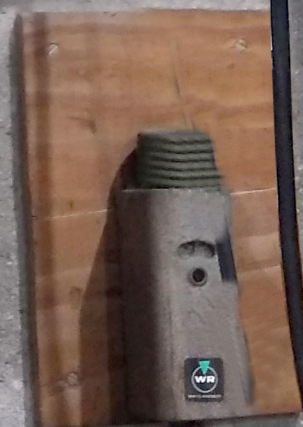
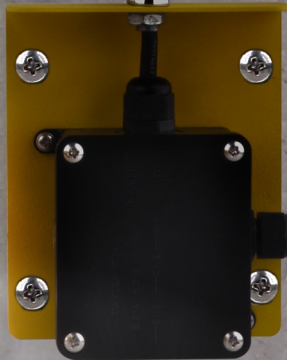


LED GOOSENECK DOCK LIGHT

> 50,000 hours lifespan, offer 5 years warranty



SPACE

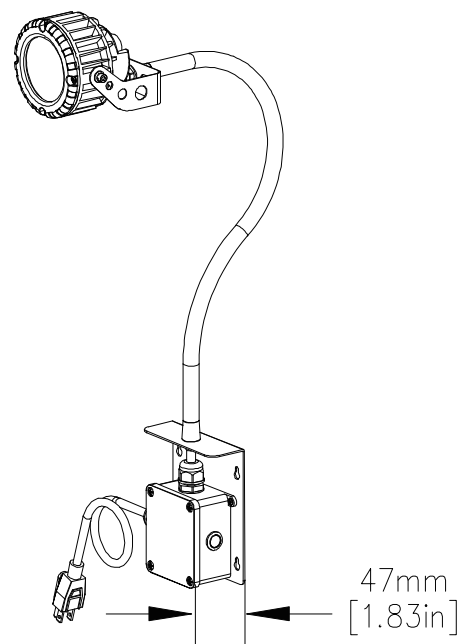
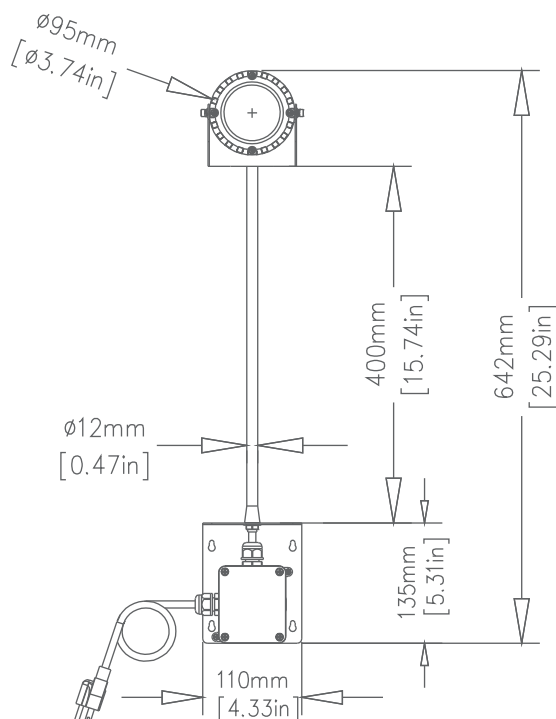
led gooseneck dock light is compact profile and flexibility enable it to be mounted between two neighboring loading docks. With the simple mounting method and ability to be positioned precisely, it is an ideal task light for use around work stations and machinery. Its flexible steel neck not only can be easily rotated and position to light with minimal obstruction to the loading dock area improve safety operation.



► Features

- ☑ Philips or Osram brand ,the lifetime is more than 50000h,Brightness up to 150lm/W
- ☑ Aluminium alloy or stainless steel material ,ragged ,durable and portable
- ☑ The direction and angle is adjustable
- ☑ Durable flexible gooseneck
- ☑ Whole lamp IP 65 waterproof rating
- ☑ AC100~277v to DC24v transformer
- ☑ Supplied with 100cm power cord or customized any length

► Dimension



BB-MTD-5W/10W-M

DATA SHEET

Power	5W	10W
Luminous Flux	650lm	1300lm
Dimension(mm)	L110*W47*H642	
Net weight	1.3kg(2.86lb)	
Beam Angle	24° ; 38°	
Materials	Aluminum alloy+PMMA lens	
Luminous Efficacy	130/lm/W	
Operation Temp	-40 to +45°C	
CCT	2700K SW/3000K WW /4100K NW/5000K DW/5700K CW /6500K SCW	
CRI	80+	
Life Span	50,000 hours at 25°C	
Voltage	100-277VAC/50-60Hz	
Driver	UL listed power supply	
Dimming	NO	
Cover	PMMA	
Luminous Source	3030 SMD LED	
IP rating	Ip65	
PF	>0.95	
Warranty	5 Years	

► Model Nomenclature

Model:BB-MTD-5W/10W-AB-EFG-H,For example:BB-HJD-5W-L1-27K901-H

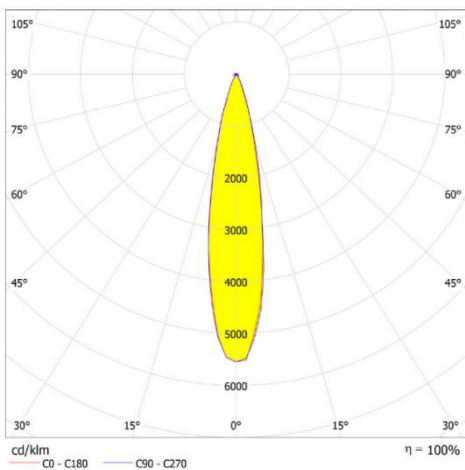
Electric Character		Optics Character			Physical Character
A	B	E	F	G	H
Input voltage	Power	CCT	CRI	LED CHIP	Installation
L-100-277V	1=5W 2=10W	27K-2700K 30K-3000K 40K-4000K 50K-5000K 57K-5700K 65K-6500K	70-Ra70 80-Ra80 90-Ra90	1-3030SMD	Wall mounting

► Application case

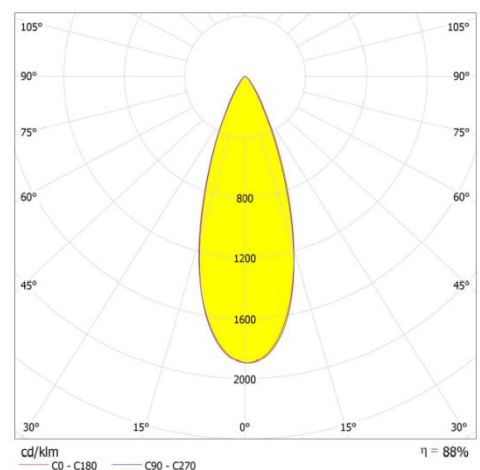
Widely Used In Factory Lighting. Dock Lighting. Warehouse Lighting. Goods shelf Lighting. Container Lighting. .



► Surface Of Intensity Distribution



24°



38°

▶ Plug

Plug can be optional as required ,Please contact sales.



001

002

003

004

005

006



EU

US

UK

CH

AU

IT

▶ Stainless steel flexible hose

Stainless steel flexible hose length optional:300/400/500/600/700/800/1000 Millimeter.

Other sizes can be customized MOQ 100 pieces



300mm

400mm

500mm

600mm

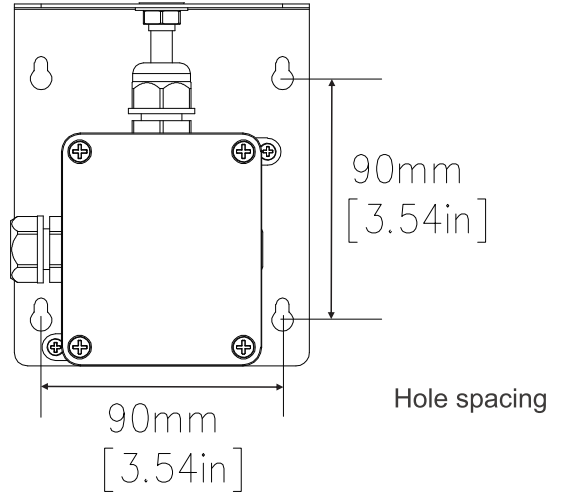
700mm

800mm

► Installation



Parts list: Explosion screw M8X4



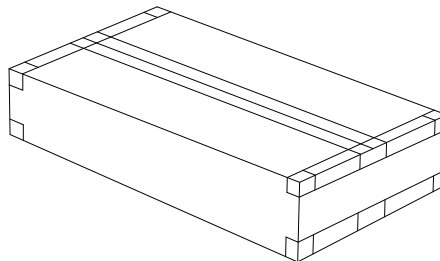
Step 1

Use the M8 drill bit to drill 4 holes according to the hole position, put the M8 screws into the hole, Tighten it with a nut.

Step 2

Install the lamp on the screws, Tighten it with a nut.

► Package



Item	Packaging	Carton Size(mm)	N.W	G.W
5W/10W	1pc/CTN	300X450X1500	1.3kg (2.86lb)	1.5kg (3.30lb)