

# LED FISHING LIGHT

1000W IP67 Fishing Light



IP 67

1000W

LED white light, green light, and green light

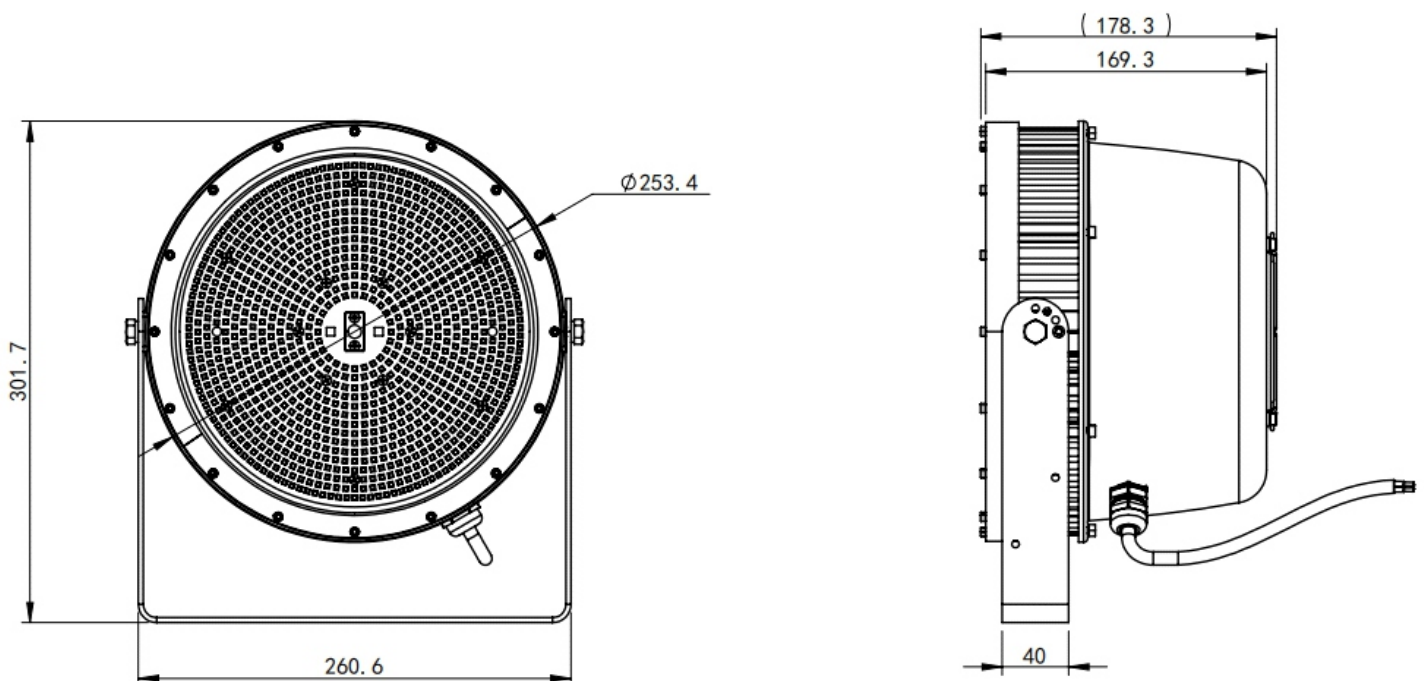
120 degree directional illumination  
beamlight utilization and lighting effect is  
better. It has stronger penetration in the water which can  
improve the fishing efficiency by more than 30%



## ► Features

- ◆ The product is formed by AL1070 cold forging, with surface anodizing and higher anti-corrosion level;
- ◆ Adopting ultra white glass, tempered to achieve IK08 surface, with a light transmittance of up to 93%;
- ◆ Thermoelectric separation design for more uniform temperature and longer lifespan;
- ◆ The bracket adopts 304 design, which has better corrosion resistance;
- ◆ Forced convection, small volume, light weight, high power.

## ► Product picture

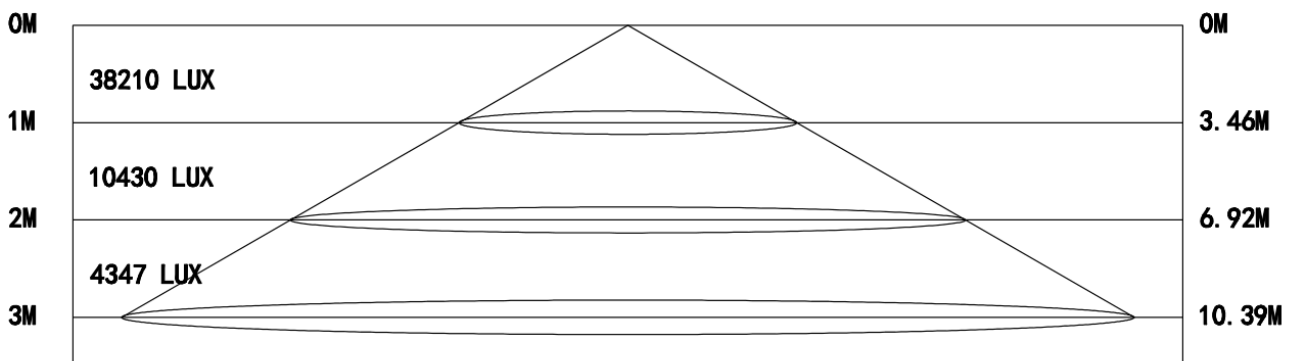


MODEL: HE-JB05A1/B1/C1-K0NB

**DATA SHEET**

Power	1000W	1000W	1000W
Model	HE-JB05A1K0NB-J7F2	HE-JB05B1K0NB-O0F2	HE-JB05C1K0NB-O0F2
Dimension(mm)	301.7*260.6*178.3mm	301.7*260.6*178.3mm	301.7*260.6*178.3mm
Net weight	5.8kg	5.8kg	5.8kg
Luminous Flux	100000lm	495nm	520nm
Beam Angle	120°		
Surface temperature	<75°C		
operation temperature	- 30°C - 45°C		
storage temperature	- 40°C - 85°C		
Adapt to humidity	90%		
Material composition	Aluminum alloy, special optical design mask Ik08		
mean time between failures	30000 hrs		
protection grade	IP 67		
Installation method	bracket		
Recommended installation spacing	4M		

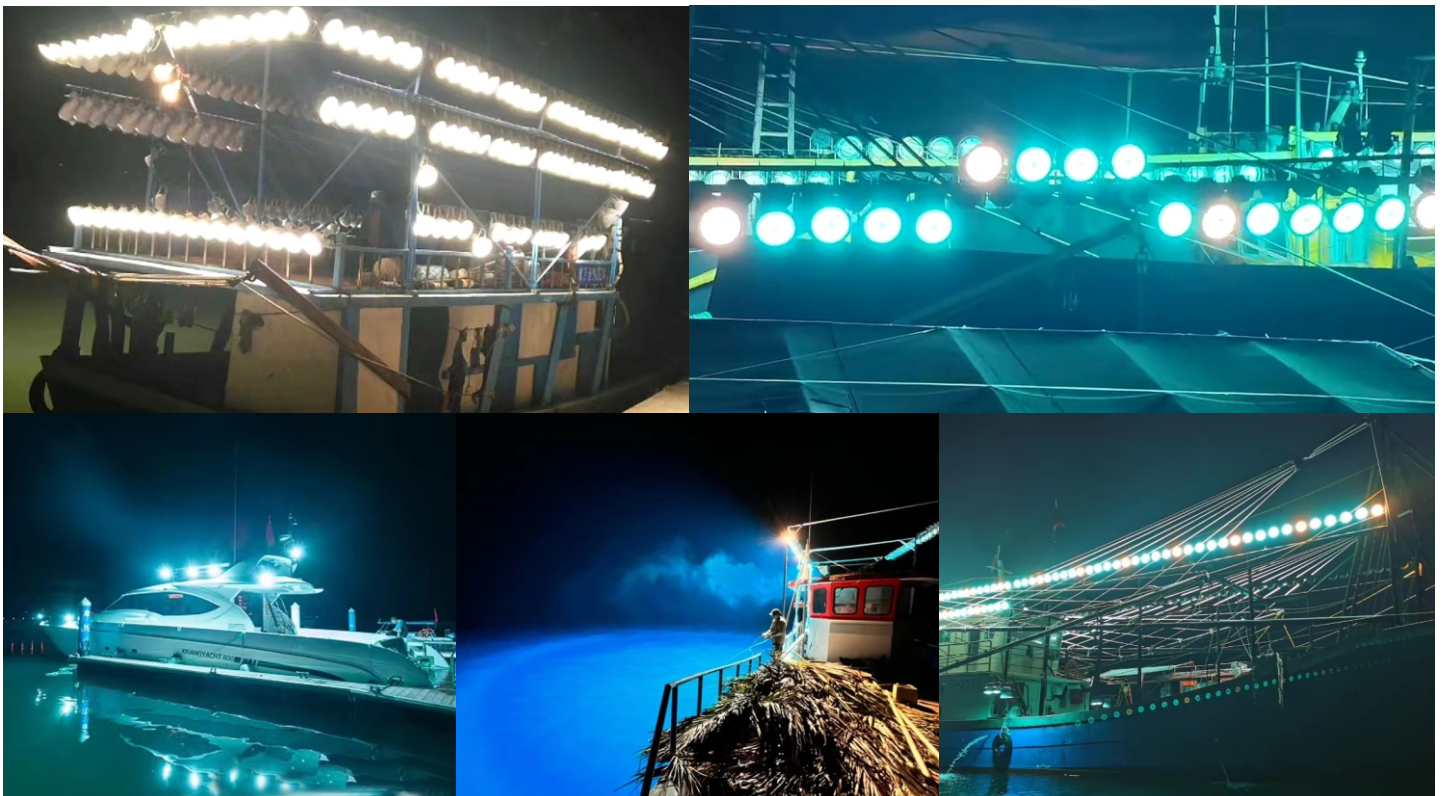
► Surface Of Intensity Distribution



发光角度=120deg

## ▶ Application case

1. Boat fishing lamps
2. Personal fishing for big boat
3. Sea cage farm
4. RAS farm
5. Dock lighting



## ▶ Description

### 1. Instructions for use

- The LED input is a 3-core sheathed wire, with the brown wire connected to the live wire, the blue wire connected to the neutral wire, and the yellow green wire connected to the ground.
- Fix the LED on the installation platform, tighten the hex screws, and pay attention to maintaining the balance of the LED light during installation.
- Apply the rated voltage to the LED to operate normally, and ensure that the voltage is within the rated range during operation. Exceeding the rated voltage can cause irreparable damage.



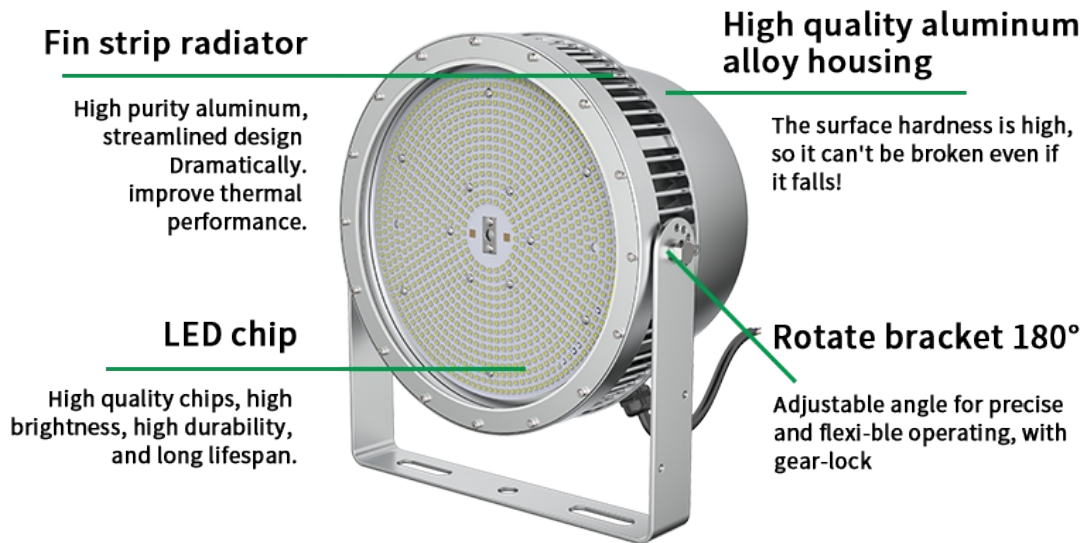
## 2. Precautions

- Before installation, please cut off the power and ensure that the installation site can withstand the weight of this lamp.
- To prevent the lamp from falling off, please make sure to confirm that the installation is correct.
- Please do not cover any material on the light.

For safety reasons, please ensure that the grounding wire is properly connected.

- Malfunctions caused by improper disassembly, modification, or construction of this product are not covered by this warranty.

### ► More details



### ► Package

Item	Packaging	Carton Size(mm)	G.W
HE-JB05A1K0NB-J7F2	1pc/CTN	275*275*250	6kg
HE-JB05B1K0NB-O0F2	1pc/CTN	275*275*250	6kg
HE-JB05C1K0NB-O0F2	1pc/CTN	275*275*250	6kg