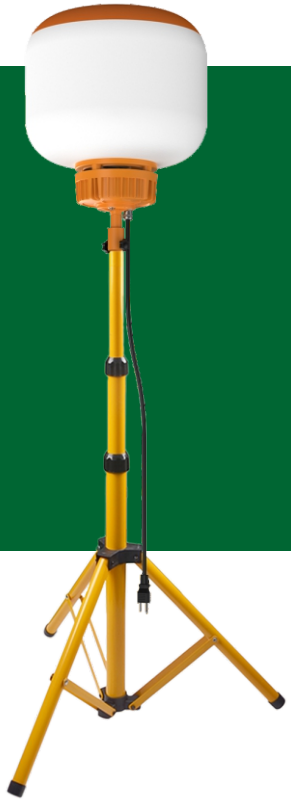




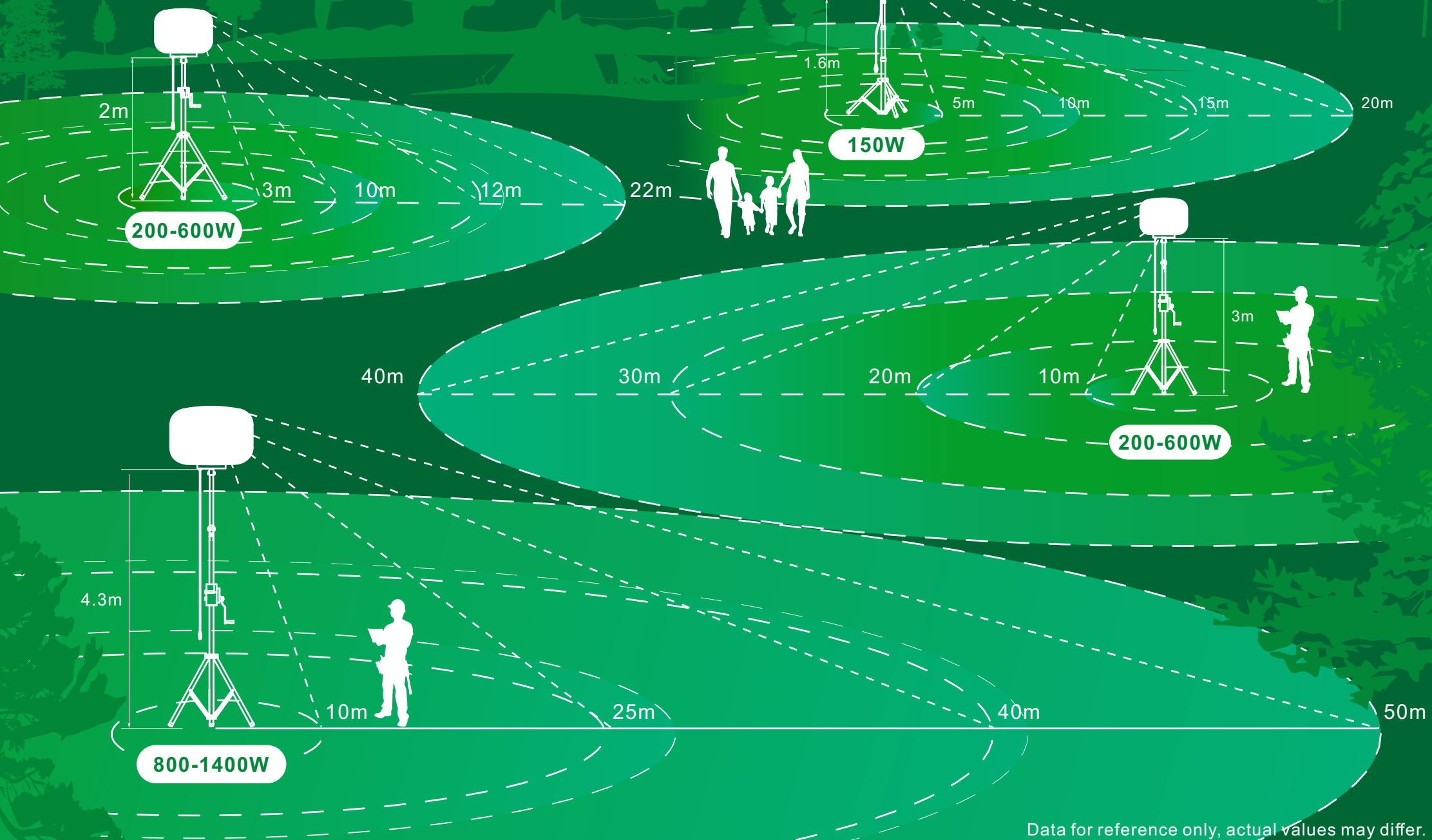
LED Balloon Light Series



BB-HJD-XXXW-Q

BB-HJD-XXXW-Q1

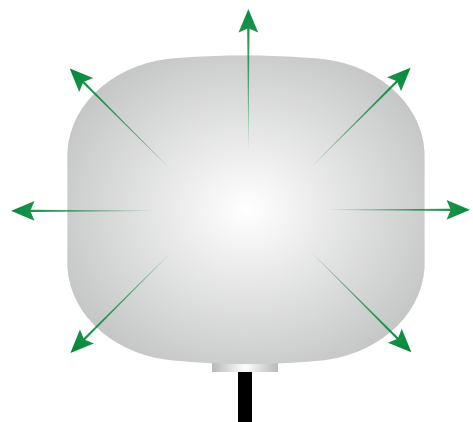
Ground Coverage Of Lighting



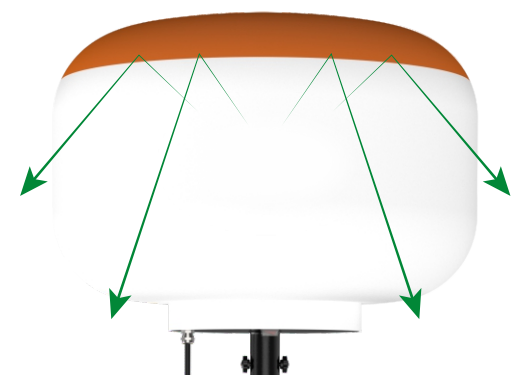
Data for reference only, actual values may differ.



OMNI



REFLECTIVE



LED Balloon Light Tower

150W

200W-600W

800W-1400W

LED Balloon Light Tower

Applicable To Various Situations



Features

The LED Balloon Light features vibrant, energy-efficient LED illumination with adjustable brightness and color-changing modes for versatile use. Its lightweight, inflatable design ensures effortless portability and rapid setup, while being water-resistant and durable for indoor/outdoor events. Long-lasting life supports extended use, and it's reusable, eco-friendly, and easy to deflate/store.

- ✔ Highlight LED chips
- ✔ Optional remote control
- ✔ Aluminum alloy housing
- ✔ Energy-efficient, low heat output
- ✔ Silent operation
- ✔ Excellent heat dissipation
- ✔ UL-listed power supply
- ✔ 360° illumination
- ✔ Enhanced light penetration
- ✔ Easy installation
- ✔ 30,000-hour lifespan
- ✔ Plug-and-play
- ✔ With a variety of installation options
- ✔ Lightweight, slimline design
- ✔ Easy clip-on bars
- ✔ Ip65 waterproof, suitable for use in moist environments



DATA SHEET(Lamps)

Power	150W
Model	BB-HJD-150W-Q1
Luminous Flux	15000lm
Replacement	HPS 400W
Light Source	SMD LED
Luminous Efficacy	100lm/w
Lamp Size	Ø330xH400mm
Installation	Tripod Mounting
Operation Temp	-40 to +45C
CCT	2700K SW / 3000K WW / 4100K NW / 5000K DW / 5700K CW / 6500K SCW
CRI	80+
Life Span	30,000 Hours At 25°C
Voltage	100-277VAC/50-60Hz
Driver	Internal Power Supply
Dimming	Standard: Not dimmable
Beam Angle	360°
Cover	Soft cloth(default)
PF	>0.95
Warranty	3Years

Accessories

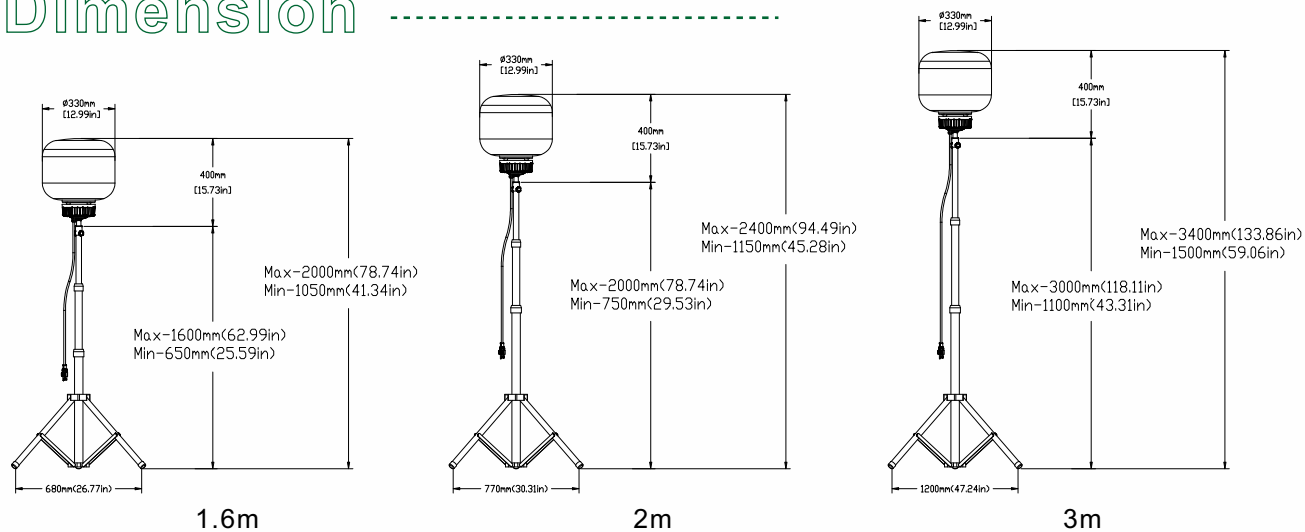


Tripod



Light Carry Bag

Dimension



Features

The LED Balloon Light features vibrant, energy-efficient LED illumination with adjustable brightness and color-changing modes for versatile use. Its lightweight, inflatable design ensures effortless portability and rapid setup, while being water-resistant and durable for indoor/outdoor events. Long-lasting life supports extended use, and it's reusable, eco-friendly, and easy to deflate/store.

- ✔ Highlight LED chips
- ✔ Optional remote control
- ✔ Aluminum alloy housing
- ✔ Energy-efficient, low heat output
- ✔ Silent operation
- ✔ Excellent heat dissipation
- ✔ UL-listed power supply
- ✔ 360° illumination
- ✔ Enhanced light penetration
- ✔ Easy installation
- ✔ 30,000-hour lifespan
- ✔ Plug-and-play
- ✔ With a variety of installation options
- ✔ Lightweight, slimline design
- ✔ Easy clip-on bars
- ✔ Ip65 waterproof, suitable for use in moist environments

Accessories

Tripod

Tripod



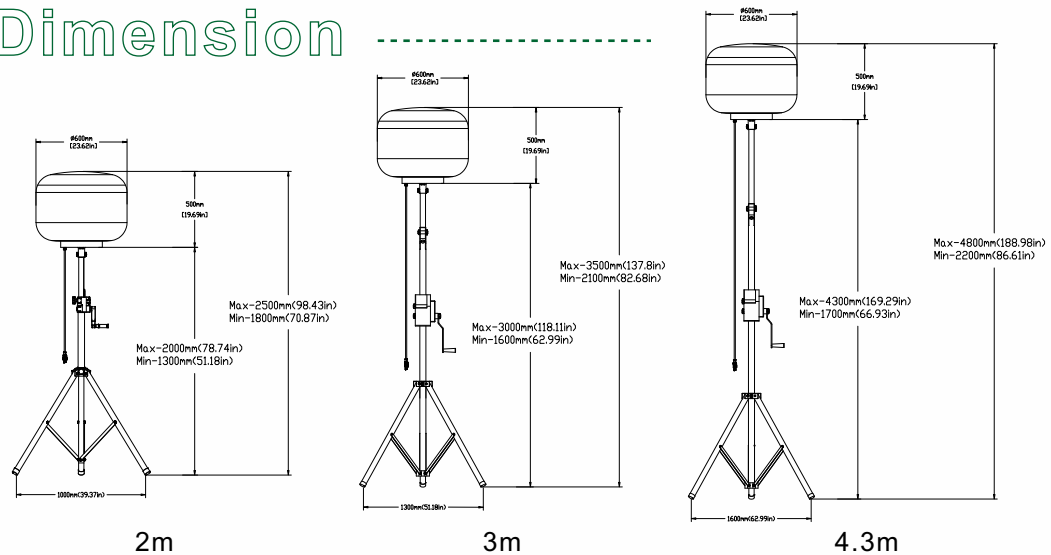
2m

3m/4.3m

Light Carry Bag

Sheet Metal Version

Dimension



DATA SHEET(Lamps)				
Power	200W	300W	400W	600W
Model	BB-HJD-200W-Q	BB-HJD-300W-Q	BB-HJD-400W-Q	BB-HJD-600W-Q
Luminous Flux	22000lm	33000lm	44000lm	66000lm
Lamp Size(mm)	ø600xH500			
Beam Angle	360°			
Materials	Aluminum Alloy+Soft Cloth			
Luminous Efficacy	110lm/w			
Operation Temp	-40 to +45°C			
CCT	2700K SW / 3000K WW / 4100K NW / 5000K DW / 5700K CW / 6500K SCW			
CRI	80+			
Life Span	30,000 Hours At 25°C			
Voltage	120-277VAC			
Driver	Built-in Power Supply			
Dimming	Optional			
Cover	Soft Cloth			
Luminous Source	SMD LED			
IP Rating	IP 65			
PF	>0.9			
Installation	Tripod Mounting			
Warranty	3 Years			



Die-Cast Version



Sheet Metal Version

Features

The LED Balloon Light features vibrant, energy-efficient LED illumination with adjustable brightness and color-changing modes for versatile use. Its lightweight, inflatable design ensures effortless portability and rapid setup, while being water-resistant and durable for indoor/outdoor events. Long-lasting life supports extended use, and it's reusable, eco-friendly, and easy to deflate/store.

- ✔ Highlight LED chips
- ✔ Optional remote control
- ✔ Aluminum alloy housing
- ✔ Energy-efficient, low heat output
- ✔ Silent operation
- ✔ Excellent heat dissipation
- ✔ UL-listed power supply
- ✔ 360° illumination
- ✔ Enhanced light penetration
- ✔ Easy installation
- ✔ 30,000-hour lifespan
- ✔ Plug-and-play
- ✔ With a variety of installation options
- ✔ Lightweight, slimline design
- ✔ Easy clip-on bars
- ✔ Ip65 waterproof, suitable for use in moist environments

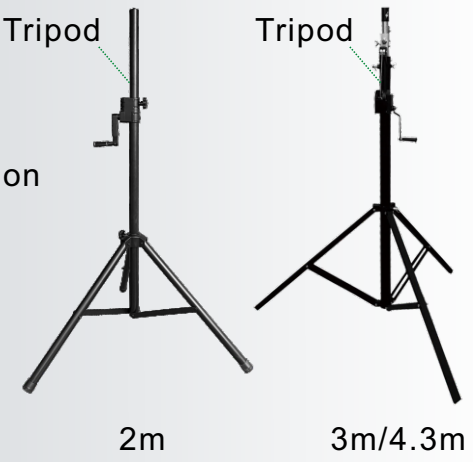


Die-Cast Version



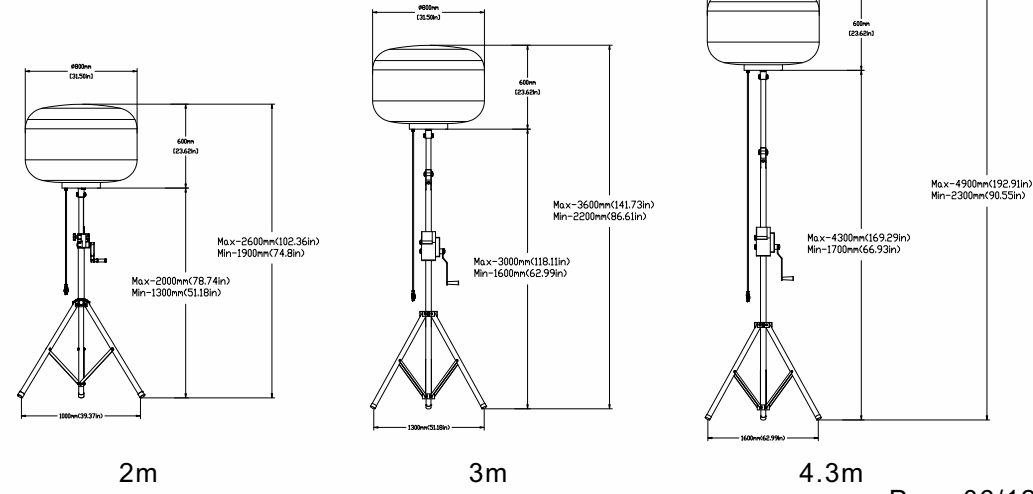
Sheet Metal Version

Accessories



Light Carry Bag

Dimension



DATA SHEET(Lamps)			
Power	800W	1000W	1400W
Model	BB-HJD-800W-Q2	BB-HJD-1000W-Q2	BB-HJD-1400W-Q2
Luminous Flux	88000lm	110000lm	154000lm
Lamp Size(mm)	Ø600xH500		
Beam Angle	360°		
Materials	Aluminum Alloy+Soft Cloth		
Luminous Efficacy	110lm/w		
Operation Temp	-40 to +45 °C		
CCT	2700K SW / 3000K WW / 4100K NW / 5000K DW / 5700K CW / 6500K SCW		
CRI	80+		
Life Span	30,000 Hours At 25°C		
Voltage	120-277VAC		
Driver	Built-in Power Supply		
Dimming	Optional		
Cover	Soft Cloth		
Luminous Source	SMD LED		
IP Rating	IP 65		
PF	>0.9		
Installation	Tripod Mounting		
Warranty	3 Years		



LED Balloon Lighthouse

LED Balloon Light



Optional LED Balloon Light Series

Mobile cart

Portable Power

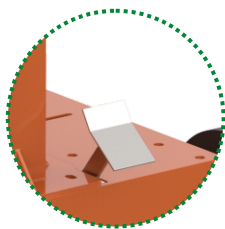
Generator



Portable Power



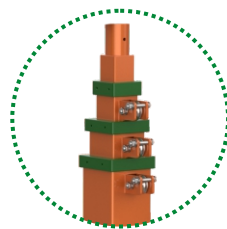
Telescopic Trailer For Carry Bag



Brake Pedal



Telescopic Pole Crank



Telescopic Pole



Excellent Quality

► Hand Cranked Lifting Mast (Single Wire)

1. Self-supporting hand lifting mast is a manual lifting mast with heavy load and reliable performance. This product consists of wire rope pulley block and hard aluminum alloy square pipe nested with each other. The lifting process is stable and reliable, and it has the function of self-locking at any position.

2. Its working principle is that each section of square pipe is pulled up and down at the same time by the structure of wire rope and pulley block (linkage type), and it can also be lifted by changing manual winch into electric push rod.

3. Lifting height, closing height, number of joints, upper, middle and lower flanges and threading can be customized according to requirements.

Specifications	Lifting Height	Closed Height	Pitch Number	Weight
SY-4-3	3m	1.3m	4 Sections	16 kg
SY-4-4	4m	1.4m	4 Sections	22 kg
SY-4-5	5m	1.6m	4 Sections	25 kg
SY-4-6	6m	1.8m	4 Sections	27 kg
SY-4-7	7m	2.2m	4 Sections	31 kg
SY-4-8	8m	2.7m	4 Sections	34 kg
SY-4-9	9m	2.9m	4 Sections	38 kg



► Hand Cranked Lifting Mast (Double Wire)

Specifications	Lifting Height	Closed Height	Pitch Number	Weight
SY-4-4	4m	1.4m	4 Sections	40 kg
SY-4-5	5m	1.6m	4 Sections	45 kg
SY-4-6	6m	1.8m	4 Sections	50 kg
SY-4-7	7m	2.2m	5 Sections	65 kg
SY-4-8	8m	2.7m	5 Sections	80 kg
SY-4-9	9m	2.9m	5 Sections	98 kg

► Electric Shaking Lifting Mast

1. Self-supporting hand lifting mast is a manual lifting mast with heavy load and reliable performance. This product consists of wire rope pulley block and hard aluminum alloy square pipe nested with each other. The lifting process is stable and reliable, and it has the function of self-locking at any position.

2. Its working principle is that each square pipe is pulled up and down at the same time by the structure of wire rope and pulley block (linkage type), and the lifting is realized by electric push rod.

3. Lifting height, closing height, number of joints, upper, middle and lower flanges and threading can be customized according to requirements.

Specifications	Lifting Height	Closed Height	Pitch Number	Weight
DT-4-3	3m	1.3m	5 Sections	30 kg
DT-4-4	4m	1.4m	5 Sections	38 kg
DT-4-5	5m	1.6m	5 Sections	40 kg
DT-4-6	6m	1.8m	5 Sections	42 kg
DT-4-7	7m	2.2m	5 Sections	46 kg
DT-4-8	8m	2.7m	5 Sections	50 kg
DT-4-9	9m	2.9m	5 Sections	55 kg



Gen Set

Power Type	Diesel
Operating Voltage	AC220V/50Hz
Generator Power	7KW/8KW/10KW/12KW(Optional)
Starting System	Electric Start
Fuel Tank Capacity	50L
Oil Capacity	1.65L/2.3L
Full Oil Continuous Working Time	≥70h
7 m Load Noise	80dB
Cylinder Number	3/4
Air Intake Mode	Naturally Aspirated
Rated Revolution	1500r.p.m
Cooling System	Air Cooling
Fuel Consumption (Full Load)	1.66L
Number Of Generator Poles/Voltage	4P/230V/50Hz

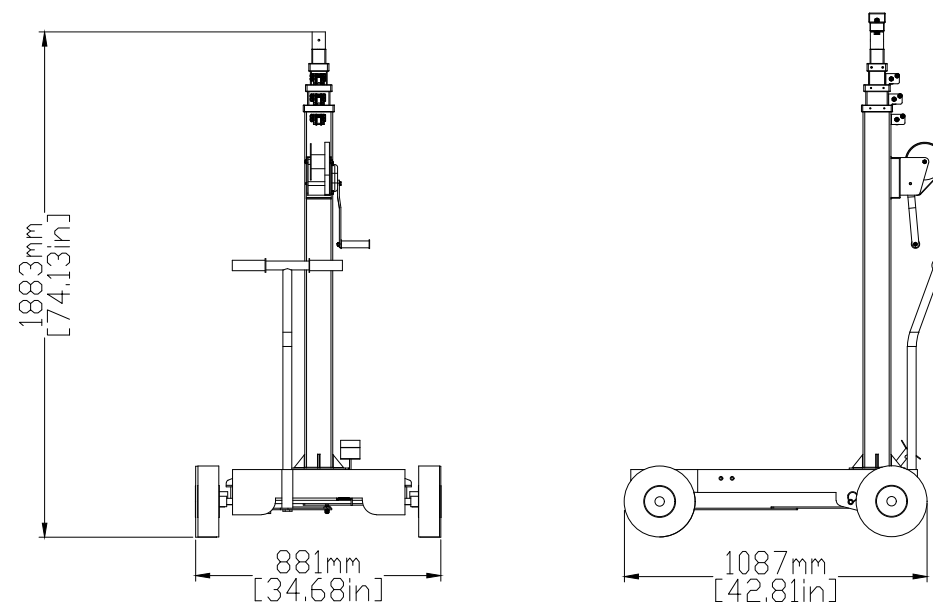
lifter

Lifting Mode	Hand Cranked Lifting/Electric Lifting Rod [Optional]
Lifting Height	7m, 9m [Optional]
Closed Length	3.2M

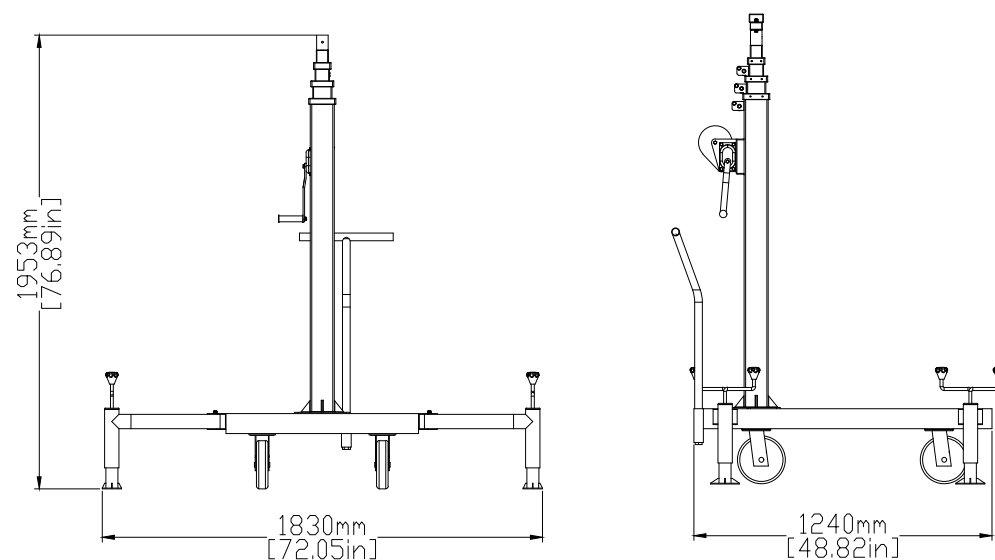
Complete Built Unit

Wind Resistance Grade	Level 8
Wheel	4 Wheels
Fixed Bracket	4 Bracket
Auxiliary Output Socket	2×16Amp.230V

Dimension



Lighthouse



Lighthouse With Foot Support



Specifications are subject to change without notice.
Updated date: 2026-02-02