



**IP 68**

## **24V LED FISHING LIGHT**

150W 200W

IP68 Fishing Light + Electric Drum

LED Submersible Green Lights

## ► Features

- ✓ This super bright LED fishing lamp can attract prawns, squid and fish very well.
- ✓ The LED fishing light is designed with 6063 pure aluminum to accelerate heat dissipation.
- ✓ Low energy consumption, high efficiency LED green light, economical and applicable.
- ✓ Equipped with tensile and waterproof cable. can be fully submerged into water.
- ✓ The voltage is 24V.
- ✓ Strong corrosion resistance, double waterproof, depth up to 10 meters.
- ✓ Round Design: This light offers 360 degree bright luminance.
- ✓ With 33ft of cable, other lengths can be customized.
- ✓ This lighting fixture can only be lit and used underwater and cannot be lit or used on land.

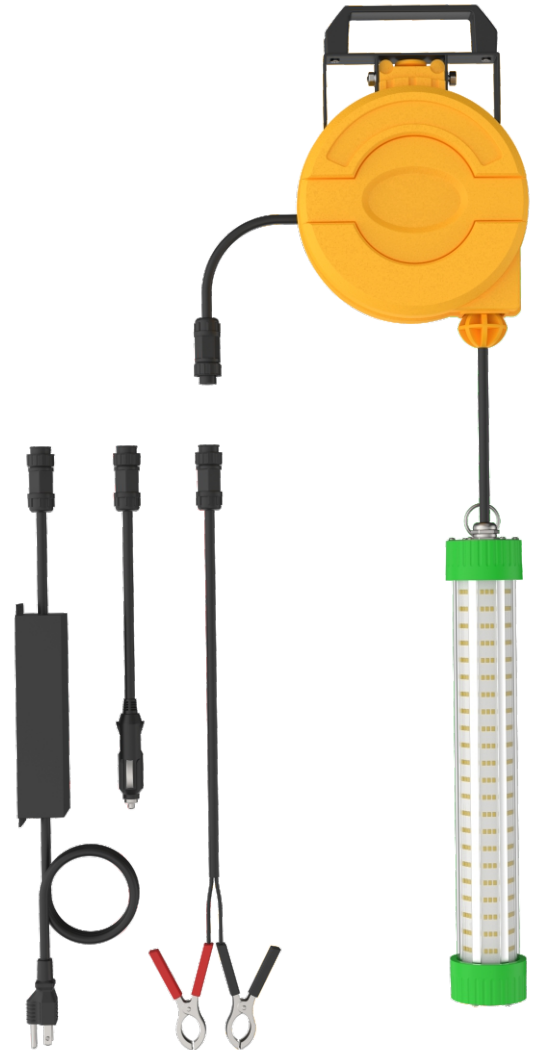
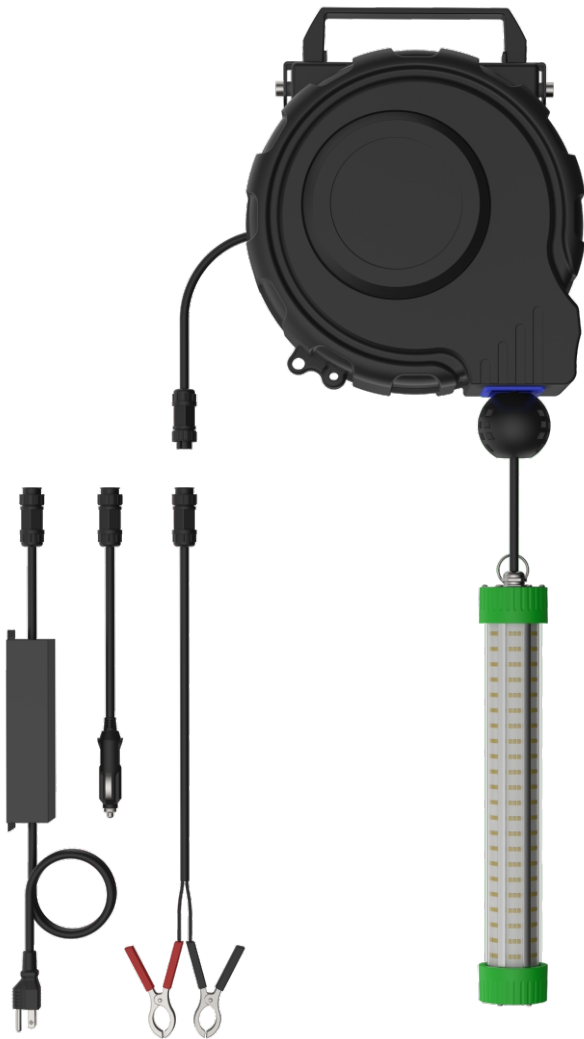
## ► Product Picture



150W 200W

MODEL: BB-FIS-XXXW

► Optional Accessories



10/15/20-Meter Length



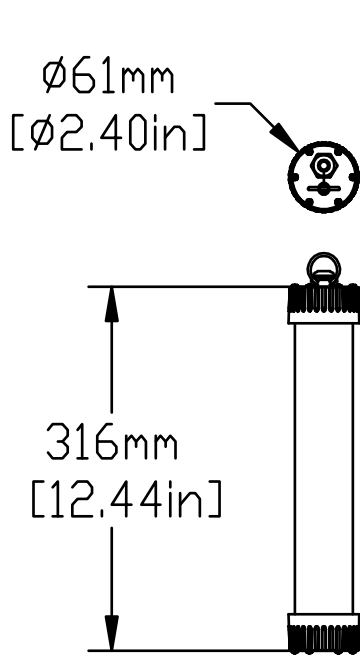
5-Meter Length

Electric Drum Automatic Retractable Hose Reel-Optional

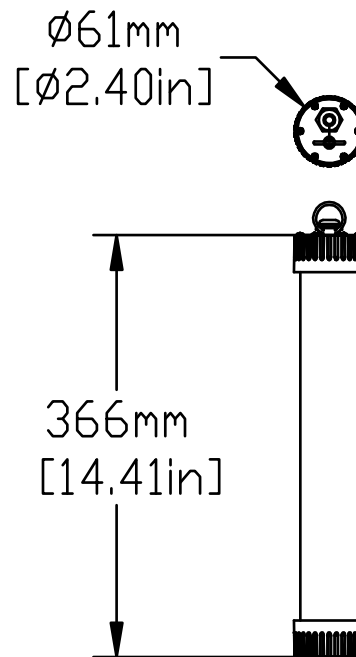
## DATA SHEET

Power	150W	200W
Model	BB-FIS-150W	BB-FIS-200W
Dimension (mm)	316*Ø61mm	366*Ø61mm
Luminous Flux	Green Light At 520nm, Amber At 590nm, White Light At 5700K-130lm/W	
Beam Angle	360°	
Lamp Body Material	6063 Aluminum	
Wire Cord Length	33ft	
Environment Humidity	40% ~ 90% RH, non condensing	
Wavelength	520-530nm	
THD	<20%	
Life Span	30,000 hours at 25 °C	
Working Voltage(DC)	24V	
Specific Uses	Underwater fish trap	
Dimming	Dimmable	
Color	Green, Amber, White	
Cover	PC cover	
Luminous Source	SMD LED 3030 / 2835	
IP Rating	IP 68	
PF	>0.90	
Warranty	3 Years	
Attention	Devices over 200W must be powered by a power supply, not by batteries.	

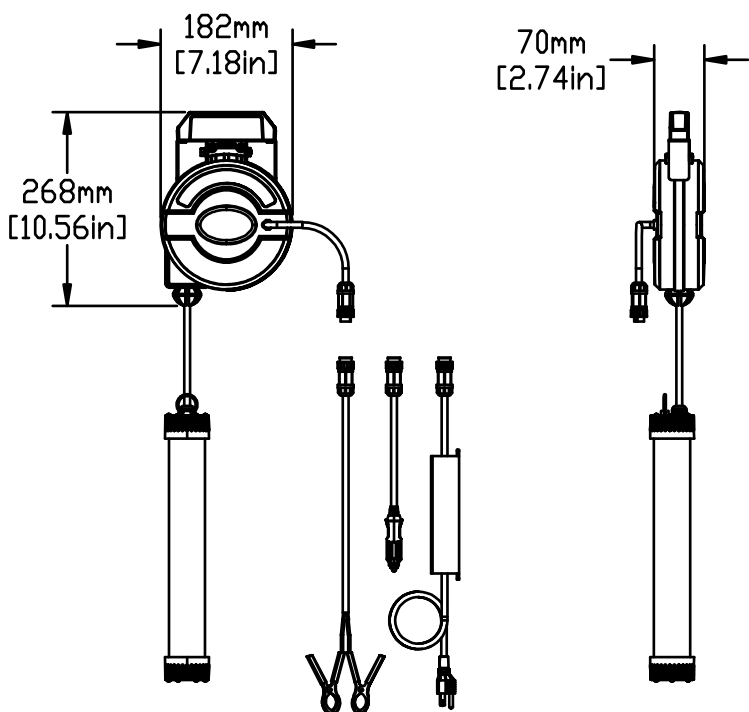
► Dimension



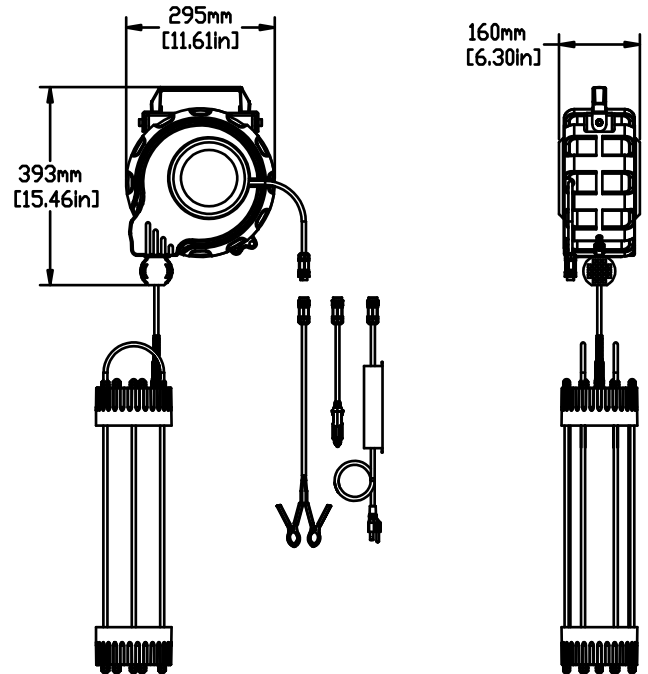
150W



200W



5 M Electric Drum Automatic Retractable Hose Reel



10/15/20M Electric Drum Automatic Retractable Hose Reel

► **Details**

**Set Piece**

Plastic material, adjustable air tube

**Engineering ABS Plastic Shell**

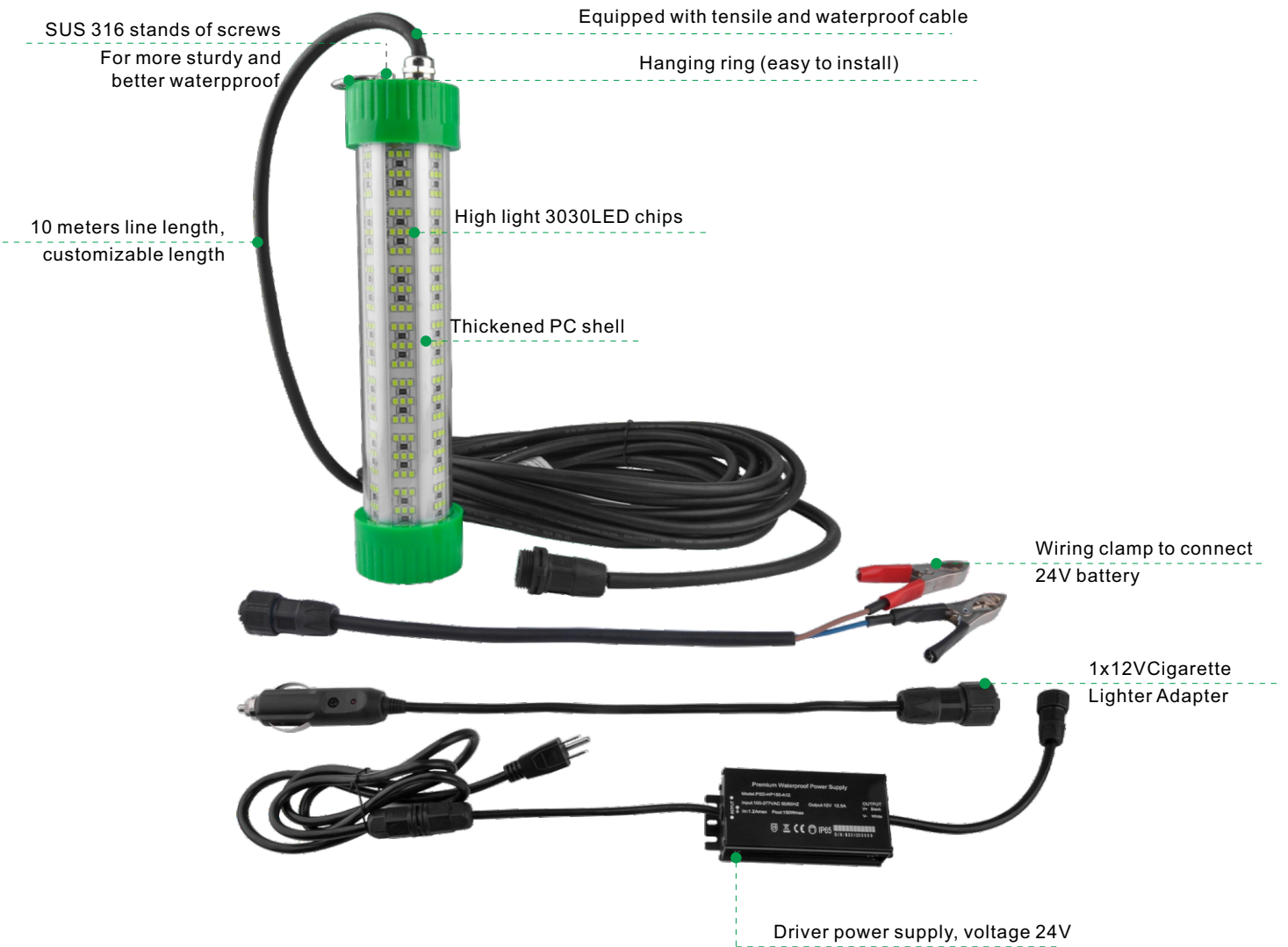
With high density, high strength, high hardness, and high heat resistance, it is suitable for making corrosion-resistant parts and thermal insulation parts



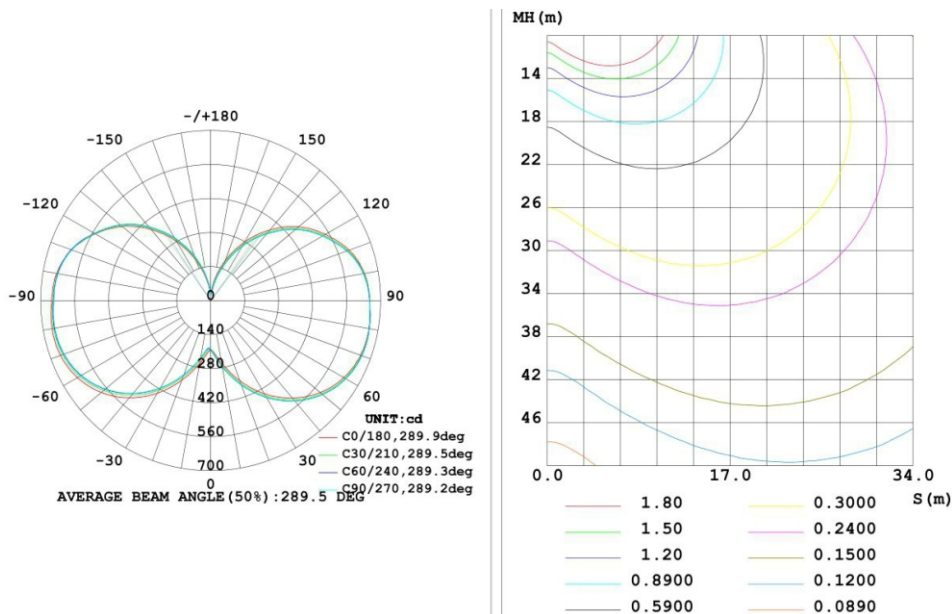
**Full Copper Wire Core**

The all-copper wire core is coated with a double layer of rubber sheath, making it flame-resistant, wear-resistant, and highly flexible

► **More Details**



► **Surface Of Intensity Distribution**



► Application Case



Specifications are subject to change without notice.  
Updated date: 2026-03-24