



**IP 68**

## **12V LED FISHING LIGHT**

20W 30W 40W 50W 60W 120W

IP68 Fishing Light + Electric Drum

LED Submersible Green Lights

## ► Features

- ✓ This super bright LED fishing lamp can attract prawns, squid and fish very well.
- ✓ The LED fishing light is designed with 6063 pure aluminum to accelerate heat dissipation.
- ✓ Low energy consumption, high efficiency LED green light, economical and applicable.
- ✓ Equipped with tensile and waterproof cable. can be fully submerged into water.
- ✓ The voltage is 12V.
- ✓ Strong corrosion resistance, double waterproof, depth up to 10 meters.
- ✓ Round Design: This light offers 360 degree bright luminance.
- ✓ With 33ft of cable, other lengths can be customized.
- ✓ This lighting fixture can only be lit and used underwater and cannot be lit or used on land.

## ► Product Picture



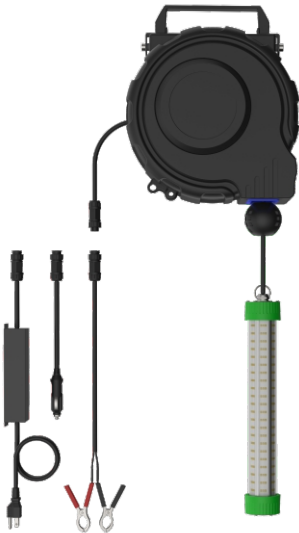
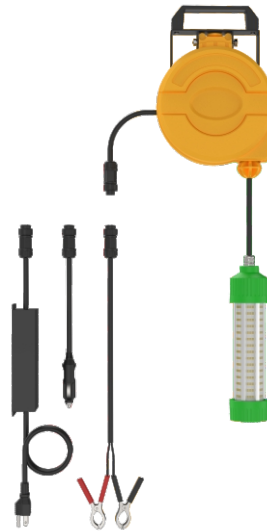
20W/30W/40W/50W



60W/120W

MODEL: BB-FIS-XXXW

► Optional Accessories



10/15/20-Meter Length

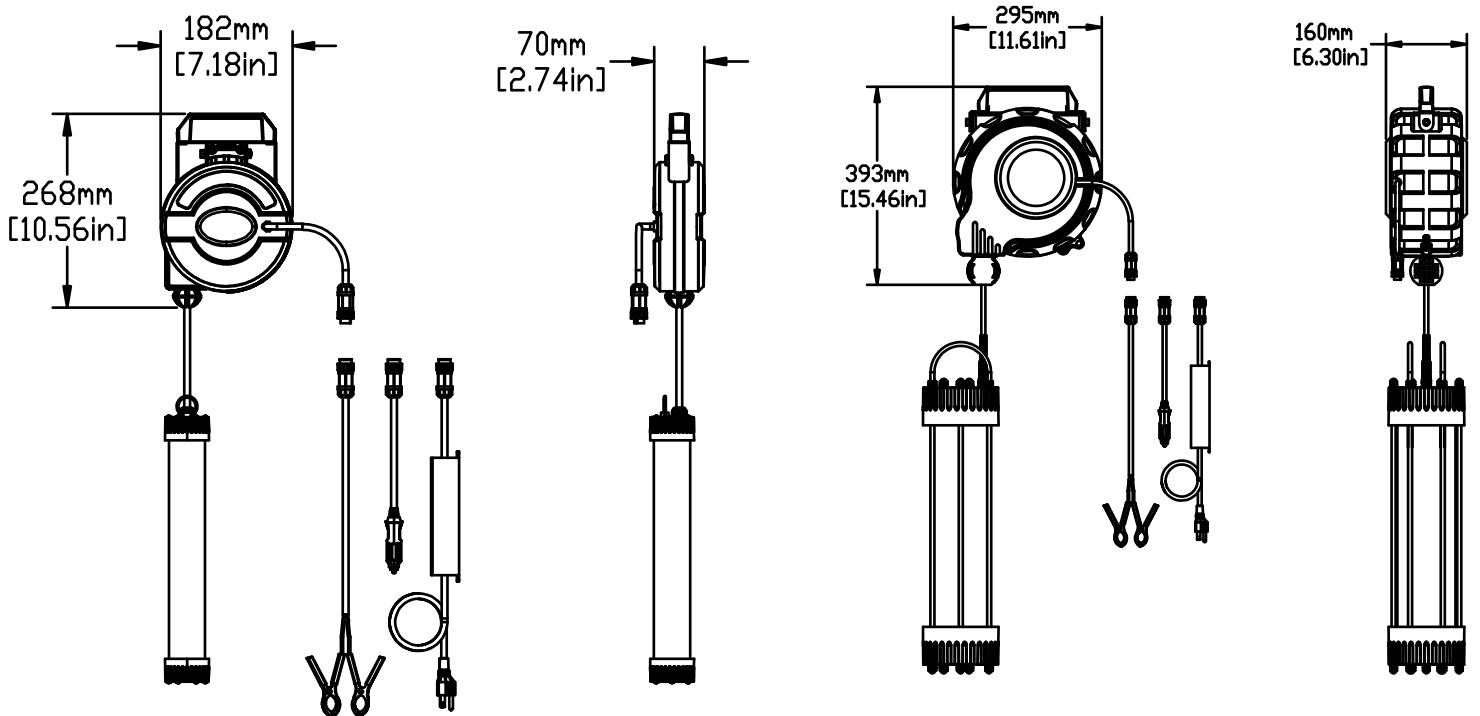
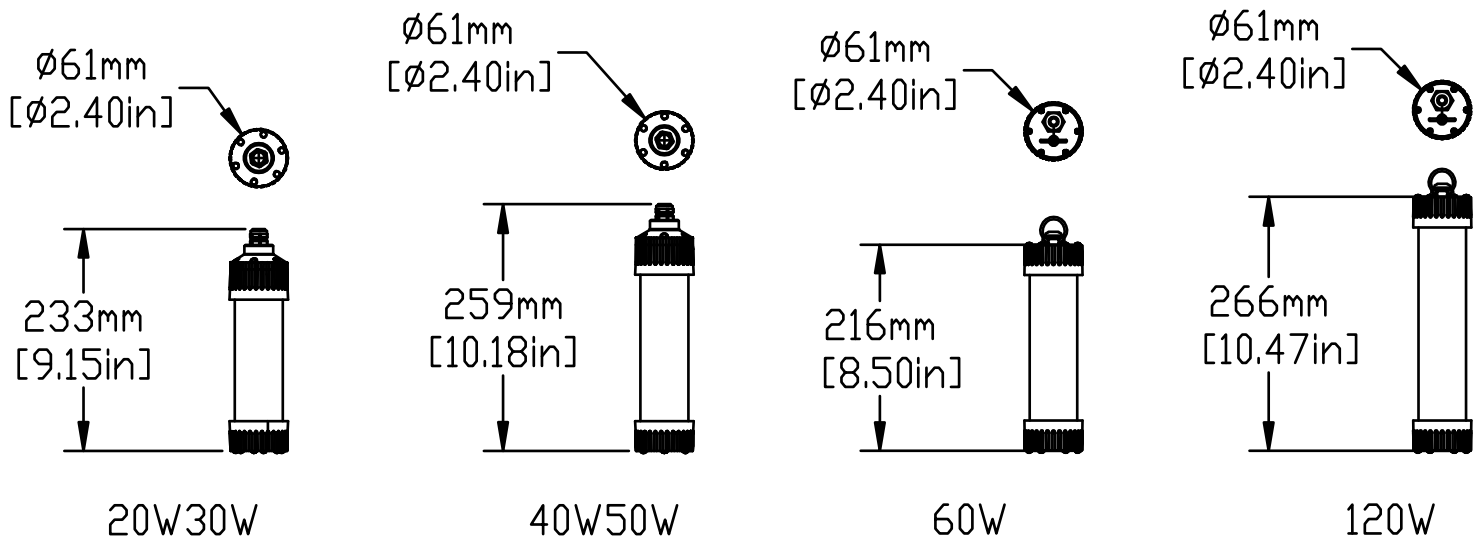
5-Meter Length

Electric Drum Automatic Retractable Hose Reel-Optional

## DATA SHEET

Power	20W/30W	40W/50W	60W	120W
Model	BB-FIS-20/30W	BB-FIS-40/50W	BB-FIS-60W	BB-FIS-120W
Dimension (mm)	233*Ø61mm	259*Ø61mm	216*Ø61mm	266*Ø61mm
Luminous Flux	Green Light At 520nm, Amber At 590nm, White Light At 5700K-130lm/W			
Beam Angle	360°			
Lamp Body Material	6063 Aluminum			
Wire Cord Length	33ft			
Environment Humidity	40% ~ 90% RH, non condensing			
Wavelength	520-530nm			
THD	<20%			
Life Span	30,000 hours at 25 °C			
Working Voltage(DC)	12V			
Specific Uses	Underwater fish trap			
Dimming	Dimmable			
Color	Green, Amber, White			
Cover	PC cover			
Luminous Source	SMD LED 3030 / 2835			
IP Rating	IP 68			
PF	>0.90			
Warranty	3 Years			
Attention	Devices over 120W must be powered by a power supply, not by batteries.			

► Dimension



5 M Electric Drum Automatic Retractable Hose Reel

10/15/20M Electric Drum Automatic Retractable Hose Reel

► **Details**

**Set Piece**

Plastic material, adjustable air tube

**Engineering ABS Plastic Shell**

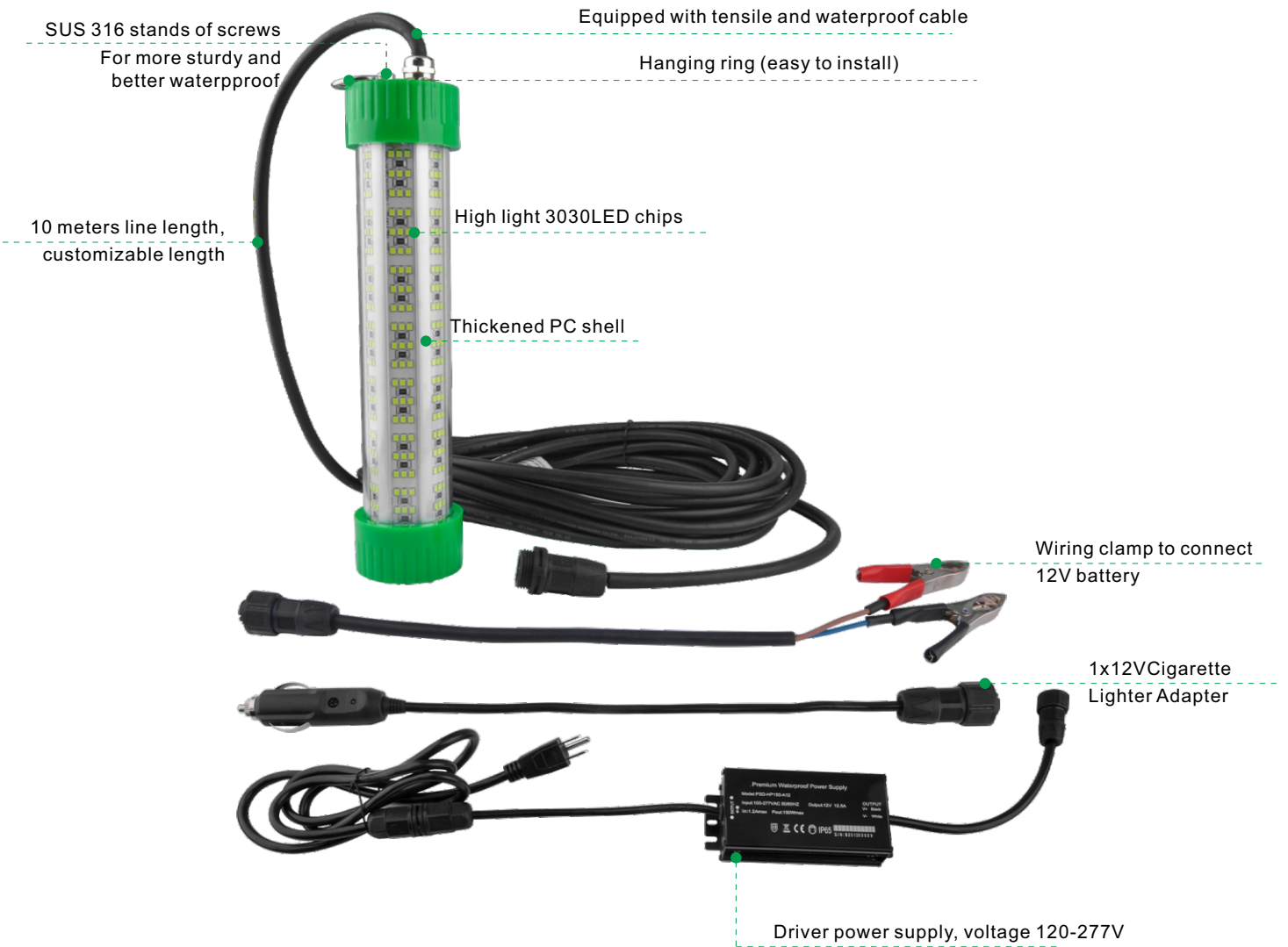
With high density, high strength, high hardness, and high heat resistance, it is suitable for making corrosion-resistant parts and thermal insulation parts



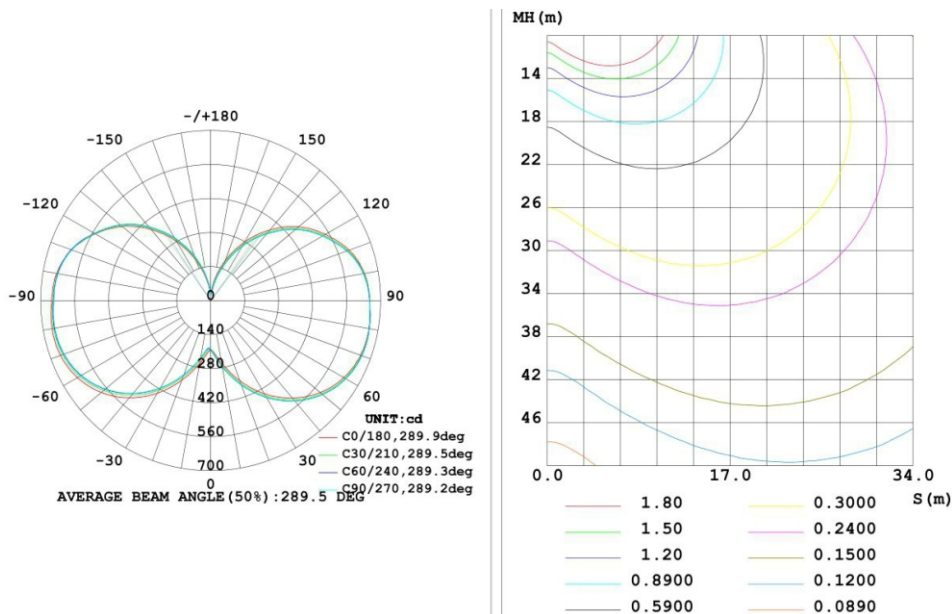
**Full Copper Wire Core**

The all-copper wire core is coated with a double layer of rubber sheath, making it flame-resistant, wear-resistant, and highly flexible

► **More Details**



► **Surface Of Intensity Distribution**



► Application Case



Specifications are subject to change without notice.  
Updated date: 2026-03-24