



# LED Dock Light + switch socket

HIGH LIGHT · DURABLE · SAVE COST

BB-MTD-XXXW-H1

LED Dock Light switch socket adopt an integrated and compact design, making them easy to install in positions such as dock cranes, cargo warehouse columns, and container tops. The lamp head supports horizontal 360 ° rotation and vertical 0-90 ° pitch adjustment, and the lighting angle can be precisely controlled through manual knobs. The shell is made of high-strength, corrosion-resistant aluminum alloy or stainless steel material, and the surface is treated with anti-corrosion coating, which can resist sea breeze and salt spray erosion and adapt to high humidity and high salinity coastal environments.



### ► Features

- ☑ The lifetime is more than 30000h, Brightness up to 110lm/W
- ☑ Aluminium alloy material, durable and portable
- ☑ The direction and angle is adjustable
- ☑ Long lifespan LED SMD
- ☑ Whole lamp IP 65 waterproof rating
- ☑ AC100~277v
- ☑ U-tape bracket Mounting

### ► Product Picture



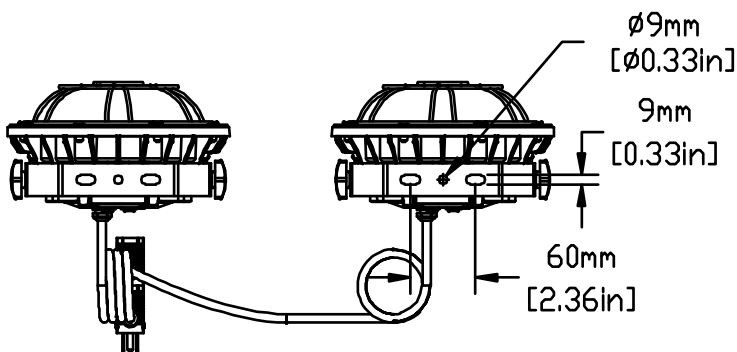
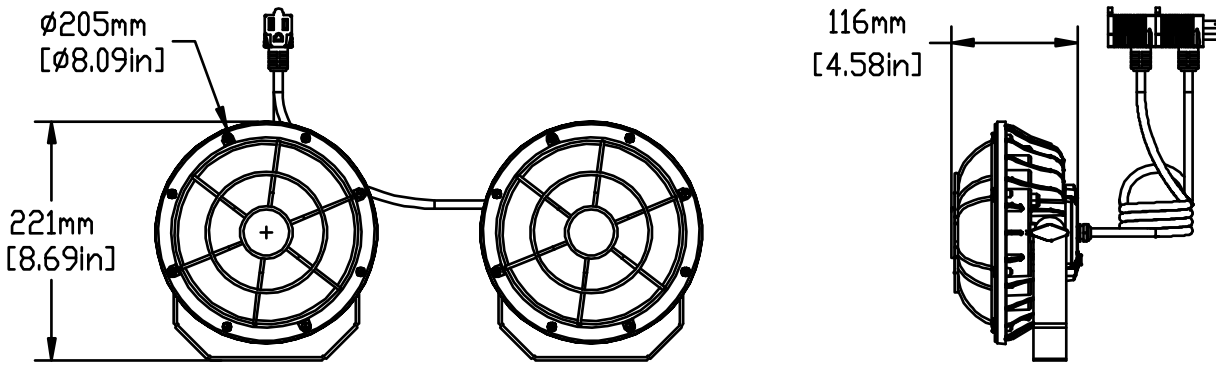
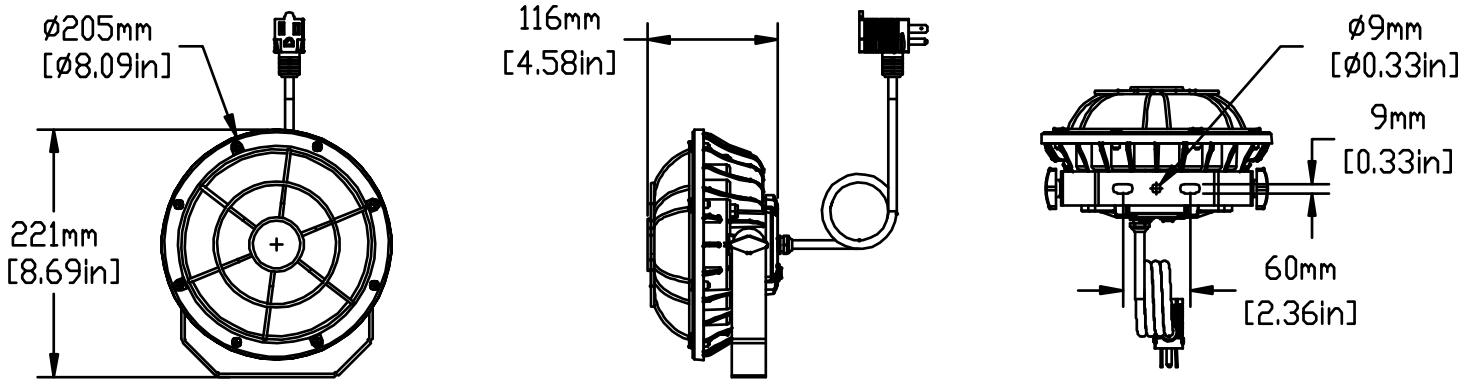
**30W/50W/60W**

BB-MTD-XXXW-H1

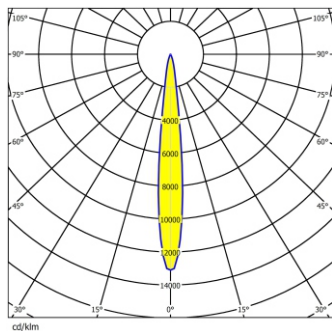
## DATA SHEET(Light)

Power	30W	50W	60W
Model	BB-MTD-30W-H1	BB-MTD-50W-H1	BB-MTD-60W-H1
Luminous Flux	3300lm	5500lm	6600lm
Beam Angle	15°/30°/45°/60°/120° Optional		
Materials	Aluminum Alloy + Glass + PC		
Luminous Efficacy	110LM/W		
Operation Temp	-40 To + 45°C		
CCT	2700K SW/3000K WW /4100K NW/5000K DW/5700K CW /6500K SCW		
CRI	70+		
Life Span	30,000 Hours at 25°C		
Voltage	100-277VAC / 50-60HZ		
Driver	Built-in Power Supply		
Dimming	Adjustable Light (Non-Adjustable Color)		
Sensor	Without		
Control System	Without		
Color	Yellow		
Luminous Source	3030 SMD LED		
IP Rating	IP 65		
PF	>0.9		
Warranty	3 Years		
Bracket	U Bracket		

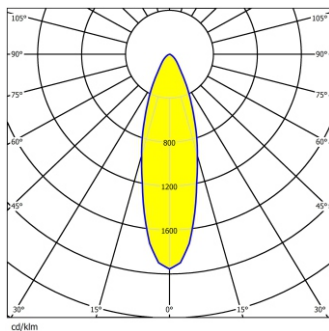
► Dimension



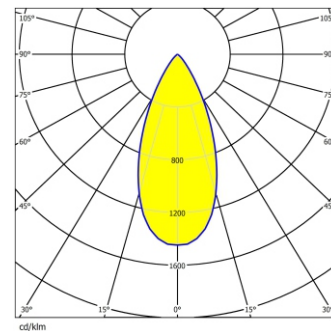
► **Surface Of Intensity Distribution**



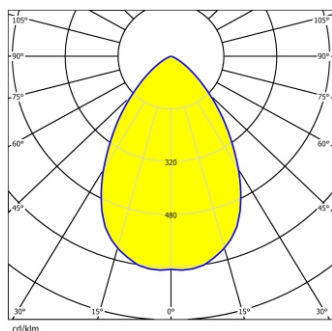
15°



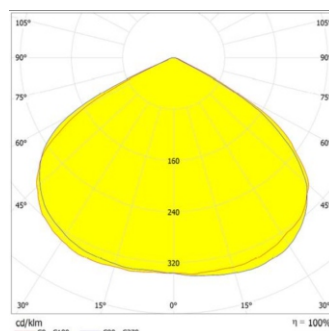
30°



45°



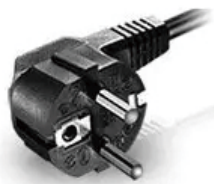
60°



120°

► **Plug**

Plug can be optional as required ,Please contact sales.



001



**EU**



002



**US**



003



**UK**



004



**CH**



005



**AU**



006



**IT**

► **Application Case**

Widely Used In Factory Lighting. Dock Lighting. Warehouse Lighting.  
Goods shelf Lighting. Container Lighting..



Specifications are subject to change without notice.

Updated date: 2026-04-01