

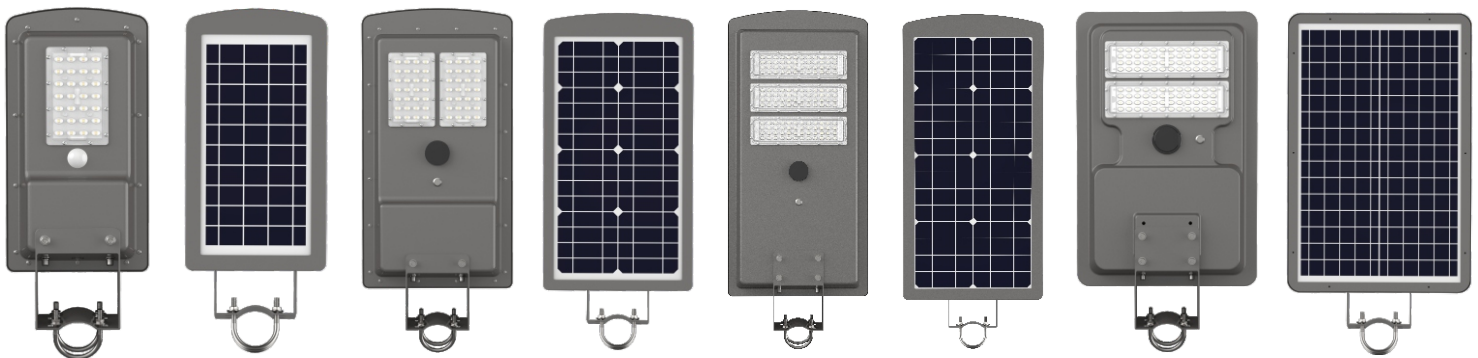
LED Solar Street Light

HIGH LIGHT · DURABLE · SAVE COST

BB-SLD-XXXW-T12/T12/T13/T22

- ★ Solar energy is a kind of green renewable and clean energy that is pollution-free, noise-free, inexhaustible and inexhaustible. When the solar panel receives sunlight, it can generate photovoltaic effect to generate electric energy, and the controller stores the electric energy into the battery. Night battery discharge lights LED light source, charging night use, lone-time investment, multi-year benefits.
- ★ Fully automatic intelligent light control, time control, remote control function, charging during the day and automatically lighting at night.
- ★ It adopts one-piece aluminum casing, imported high-efficiency light source, full power solar panel, anti-corrosion, waterproof and lightning protection.
- ★ This product is specially designed for outdoor outdoor lighting, easy to install. Solar power supply, O wiring, nail wall, pole, holding cement column and other installation methods.
- ★ Suitable for highways, town roads, street lights, rural roads, park lights, courtyard lighting, channel lighting, farms, etc.

▶ Product Picture



T12-15W

T12-30W

T13-50W

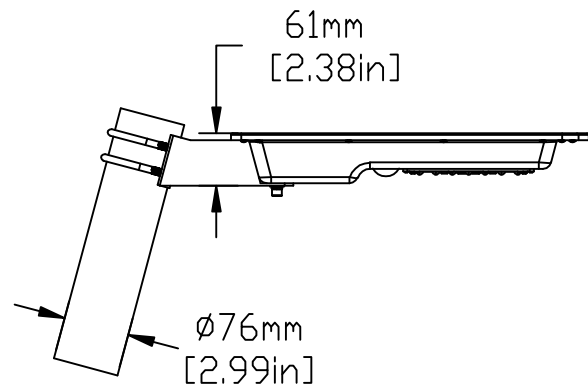
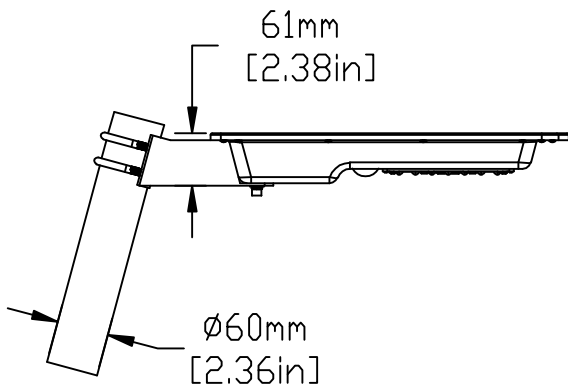
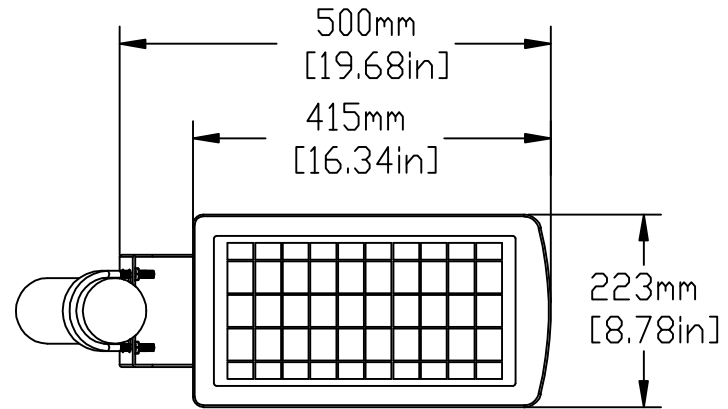
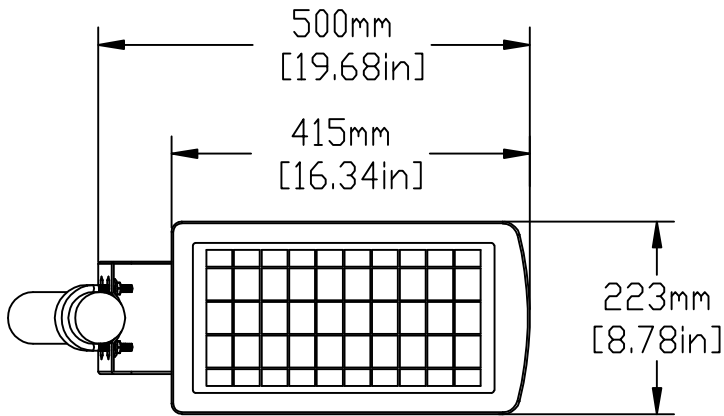
T22-50W

MODEL:BB-SLD-XXXW-TXX

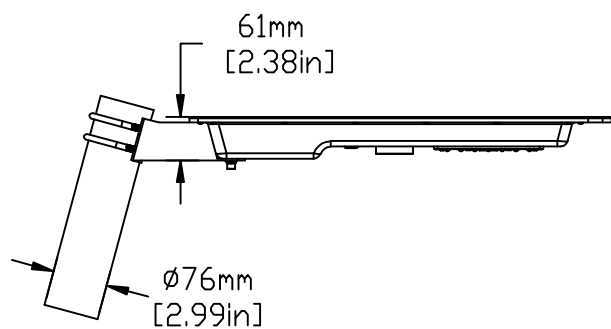
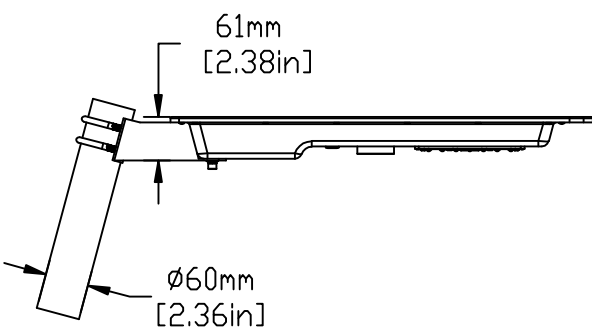
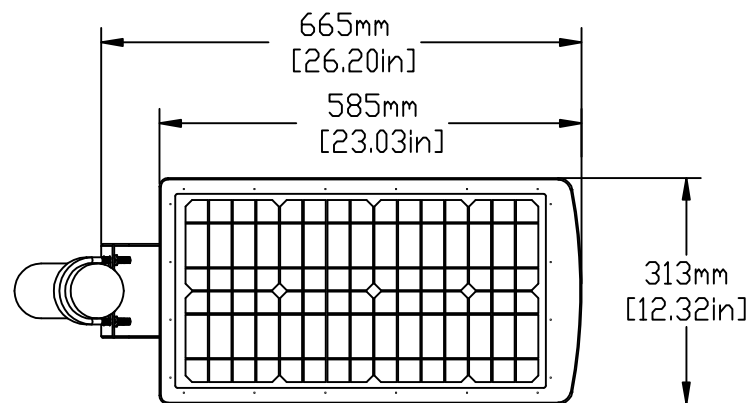
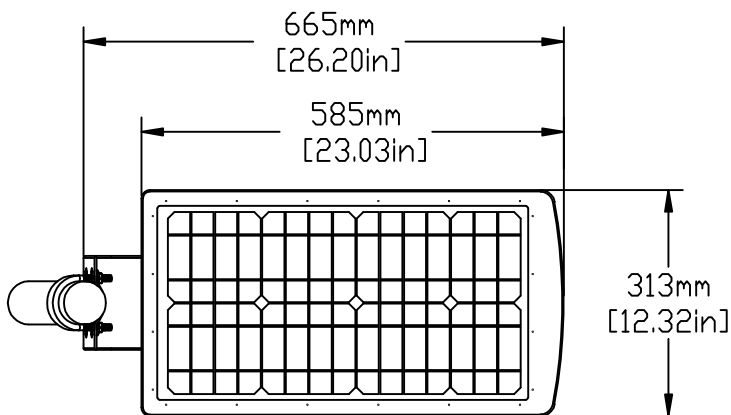
DATA SHEET(Single Lamp)

Power	15W	30W	50W	50W
Model	BB-SLD-15W-T12	BB-SLD-30W-T12	BB-SLD-50W-T13	BB-SLD-50W-T22
Dimension(mm)	500*223*61	665*313*61	830*370*53	642*370*64
Light Source	3030 SMD LED			
Materials	Galvanized Iron + Solar Panel+PC Lens			
CCT	2700K SW / 3000K WW / 4100K NW / 5000K DW / 5700K CW / 6500K SCW			
CRI	70			
Life Span	50,000 Hours			
Voltage	12VDC			
Driver	UL listed power supply			
Sensor	Motion Sensor, Photocell Sensor			
Controller	PWM Controller, MPPT Controller Optional			
Solar Cell	High Efficiency Single Silicon Solar Panel			
Driver	UL listed power supply			
Beam Angle	120°			
Cover	Galvanized Iron			
Luminous Source	SMD LED			
Operation Temp	Charge Temperature:-10°C to +45°C; Discharge Temperature:-20°C to +45°C			
Optional	Charge Temperature:-20°C to +45°C; Discharge Temperature:-40°C to +45°C			
IP	65			
Warranty	3 Years			

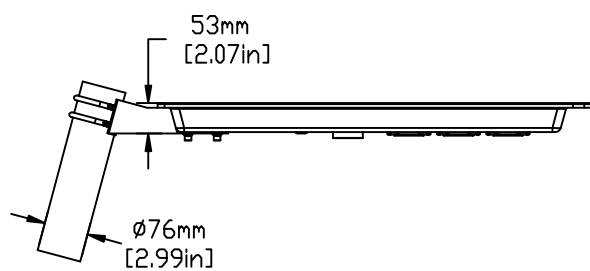
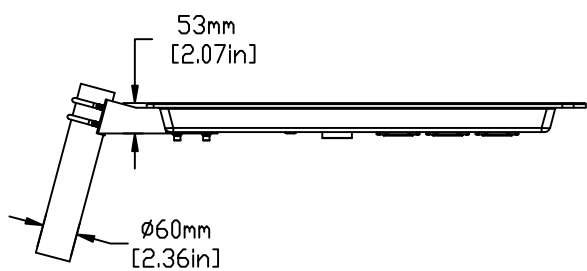
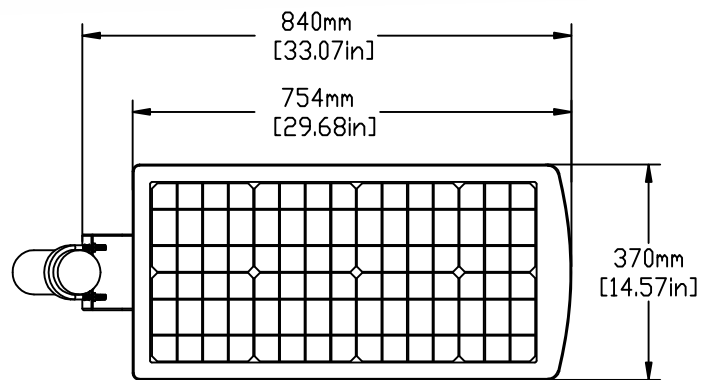
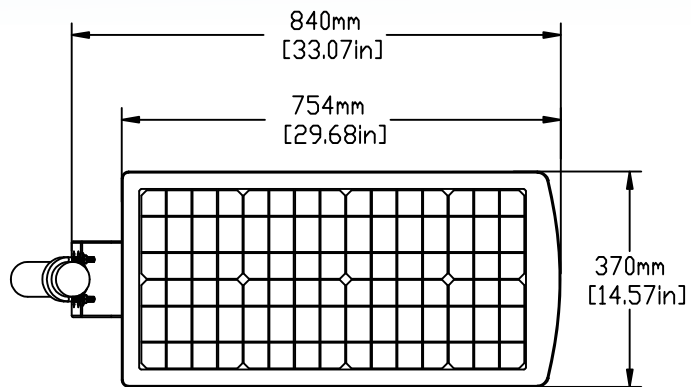
► Dimension



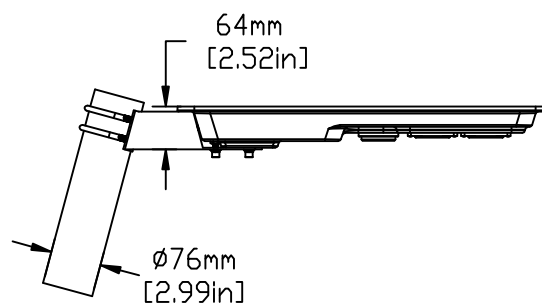
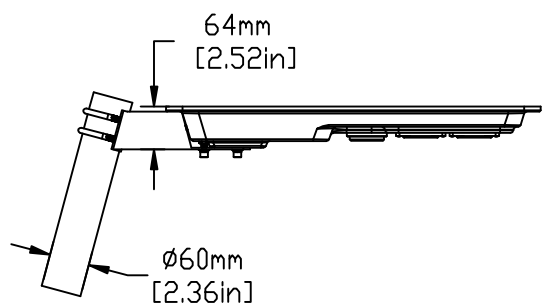
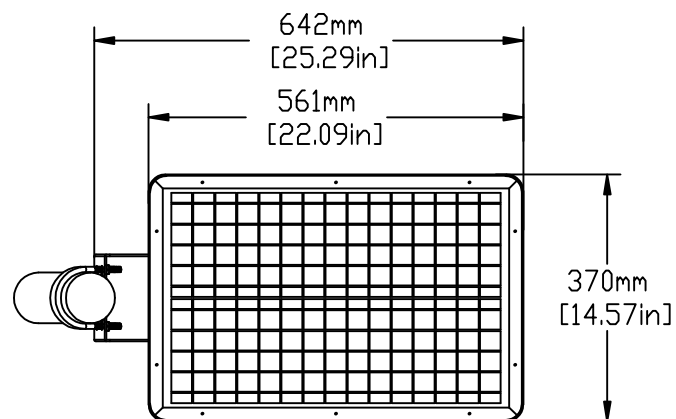
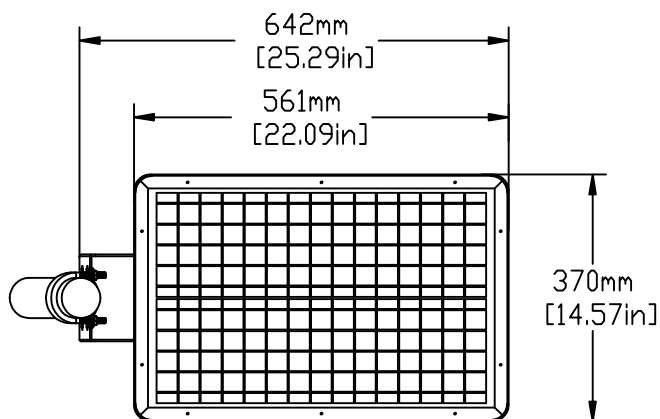
T12-15W



T12-30W

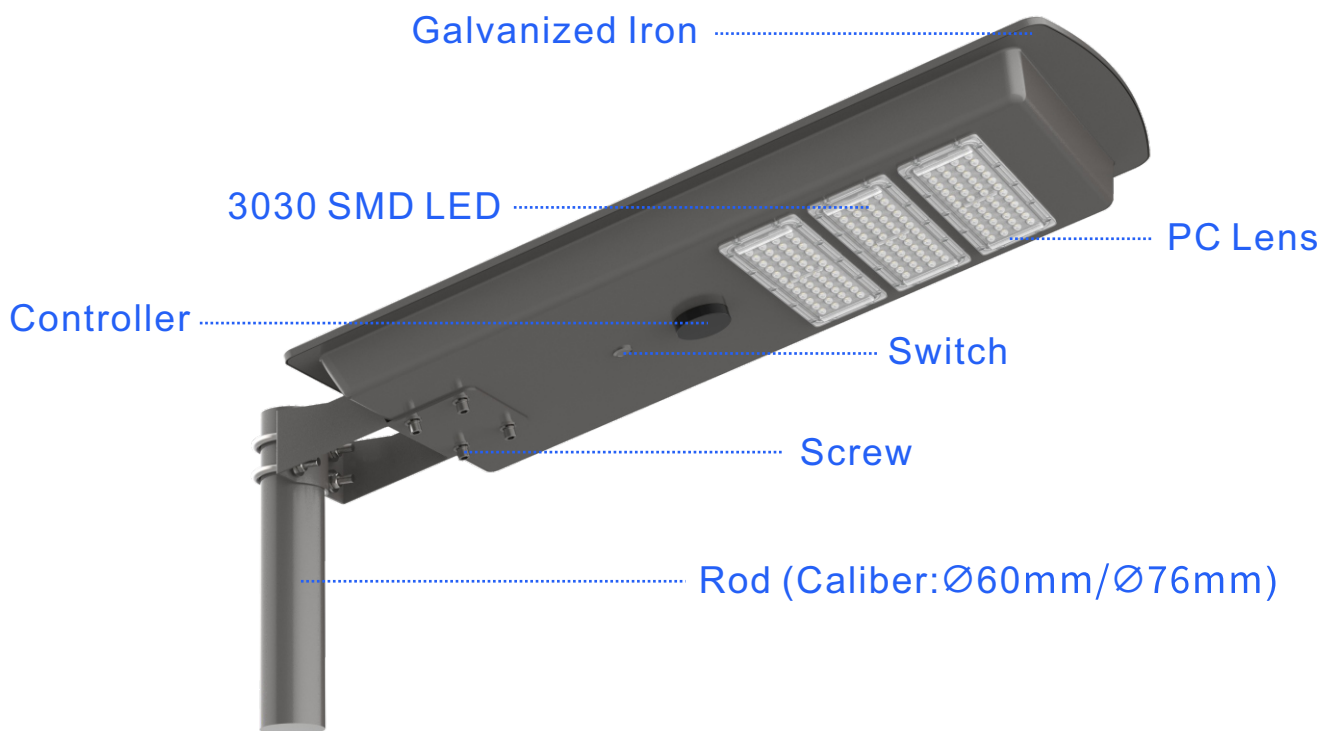


T13-50W



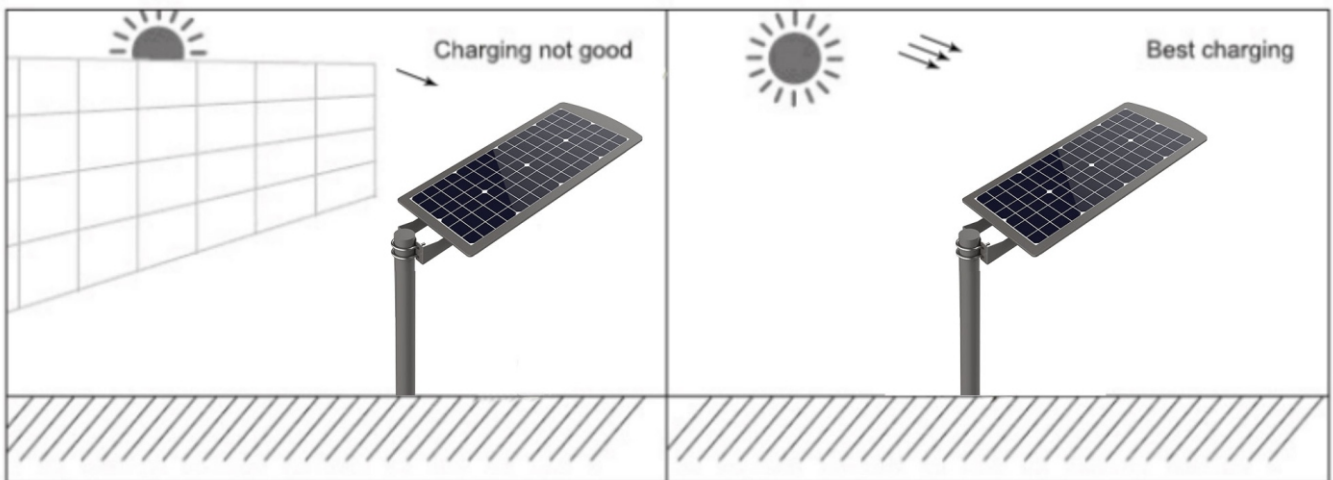
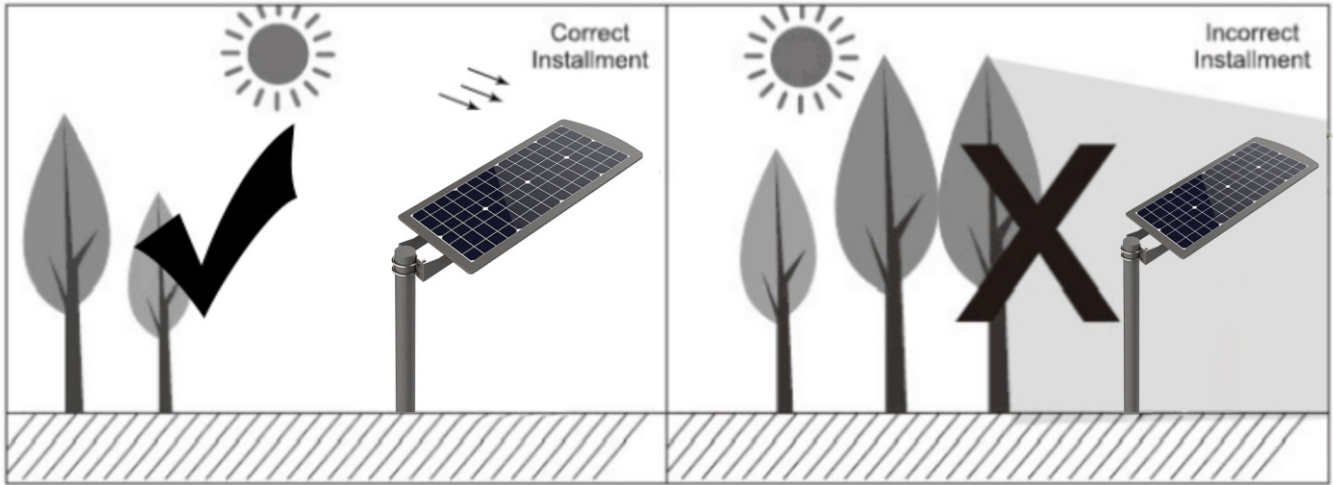
T22-50W

► Product Details

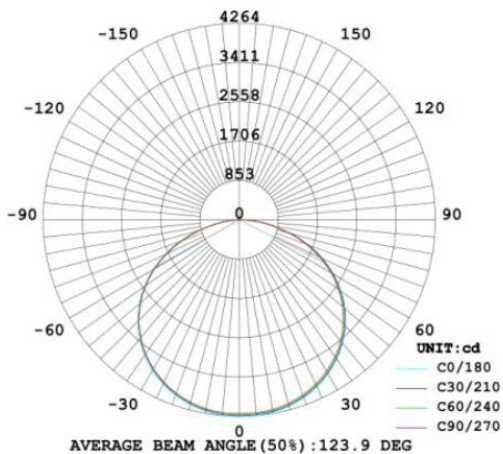


► Installation Guide

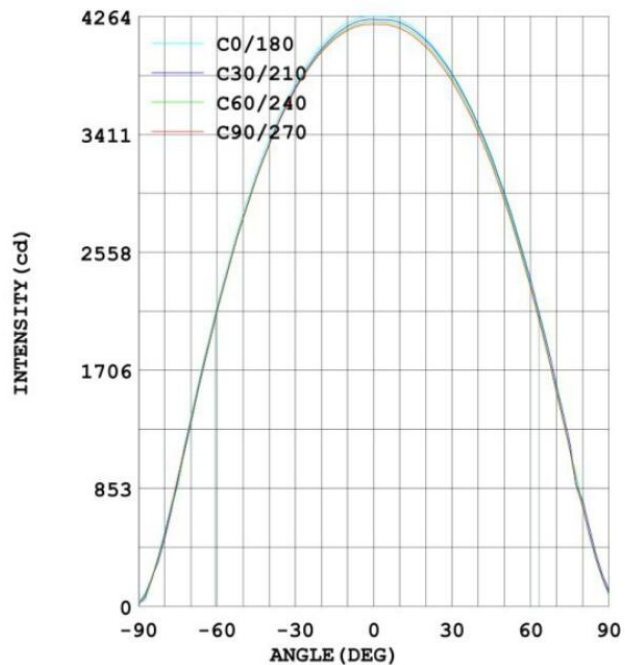
Please contact sales staff if you need help during installation



► Surface Of Intensity Distribution

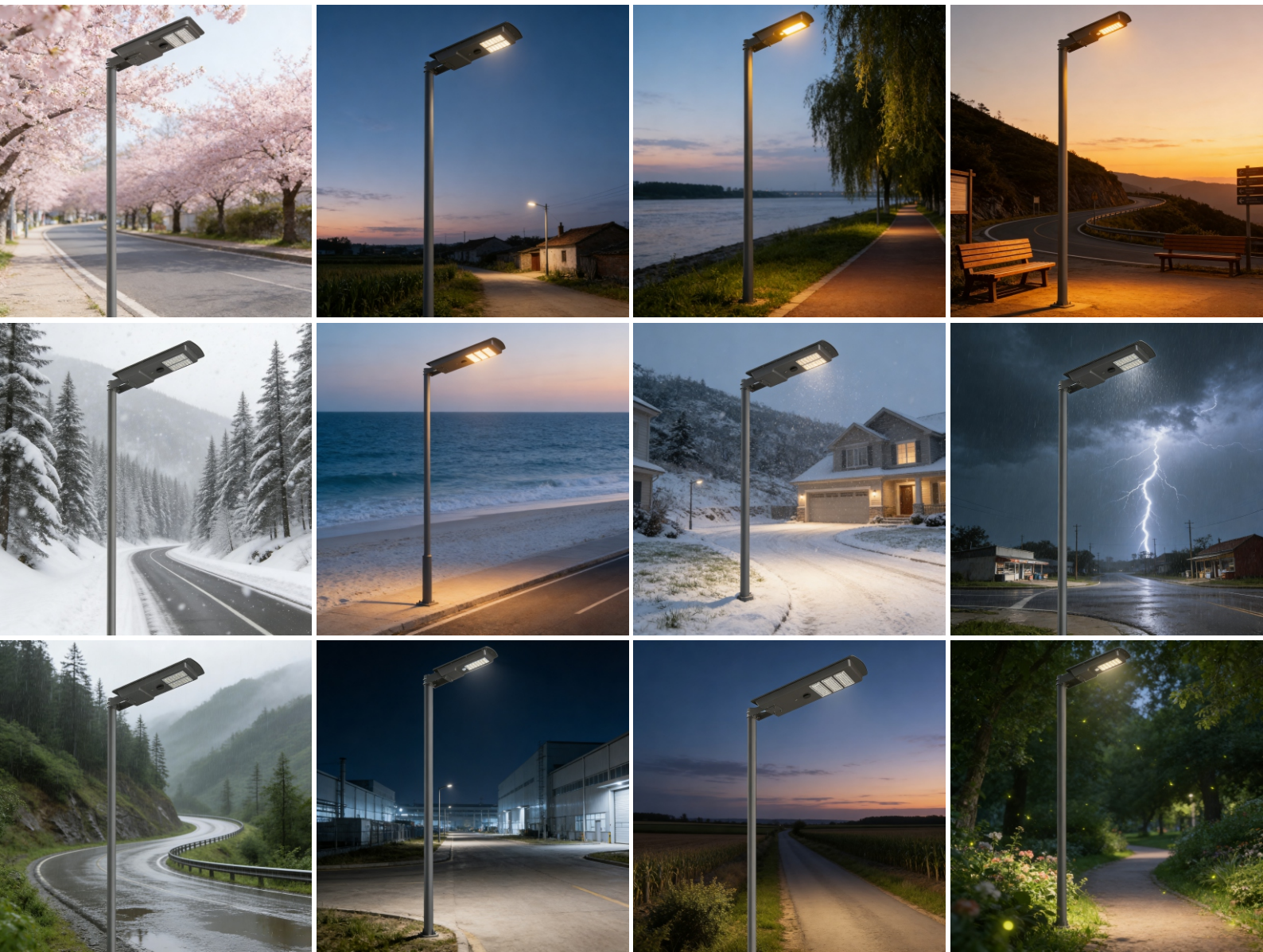


120°



► Application

1. Street lighting.
2. Park lighting.
3. Courtyard lighting.
4. Stadium lighting.
5. Campus lighting.
6. Parking lot lighting



Specifications are subject to change without notice.

Updated date: 2026-04-08